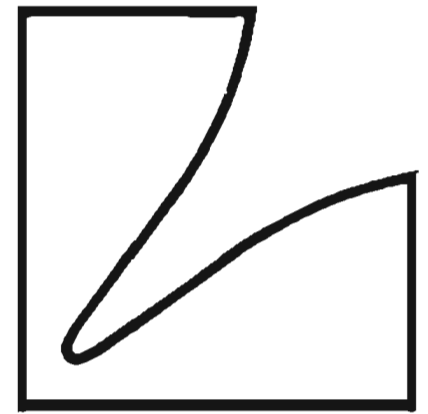


# SERVICE MANUAL



Compact Disc Digital Audio Player

# D-105 / D-405



D-105



D-405

## Contents

Specifications . . . . .	2
Parts Locations and Disassembly Instructions . . . . .	3 to 9
Cautions on Replacement of Pick-up . . . . .	10 to 11
Block Diagram . . . . .	12
Adjustment Locations . . . . .	13
Adjustment Procedures . . . . .	14 to 47
Semi-conductor Load Identifications . . . . .	48
Parts Layout on P.C. Boards . . . . .	49 to 50
Wiring Diagram . . . . .	51 to 52
Schematic Diagram . . . . .	53 to 54
Electrical Parts List . . . . .	55 to 58
Exploded View (Cabinet) · D-105 · D-405 . . . . .	59 to 60
Cabinet Parts List . . . . .	61
Exploded View (Cassette Deck) . . . . .	62
Mechanism Parts List . . . . .	63 to 64
Packing Method View . . . . .	65
Packing Assembly Parts List . . . . .	66

## Specifications

Type . . . . .	Compact Disc player with optical pickup
Quantization . . . . .	16 bit linear
Channels . . . . .	2 (stereo)
Frequency response . . . . .	5 Hz — 20 kHz ±0.5 dB
Dynamic range . . . . .	Over 90 dB
Total harmonic distortion . . . . .	0.003% (1 kHz)
Channel separation . . . . .	Over 90 dB
Wow and flutter . . . . .	Unmeasurable
Output . . . . .	2.0 volts
Pickup . . . . .	Semiconductor laser type
Track location . . . . .	By track and index number
Power supply . . . . .	AC 220V, 50 Hz (AK) AC 120V, 60 Hz (UZ, UC) AC 100V, 50/60 Hz (AJ)
Power consumption . . . . .	16 watts
Dimensions . . . . .	453(W) x 84(H) x 313(D) mm
Weight . . . . .	6.0 kg

Specifications are subject to change without notice.

# Parts Locations and Disassembly Instructions

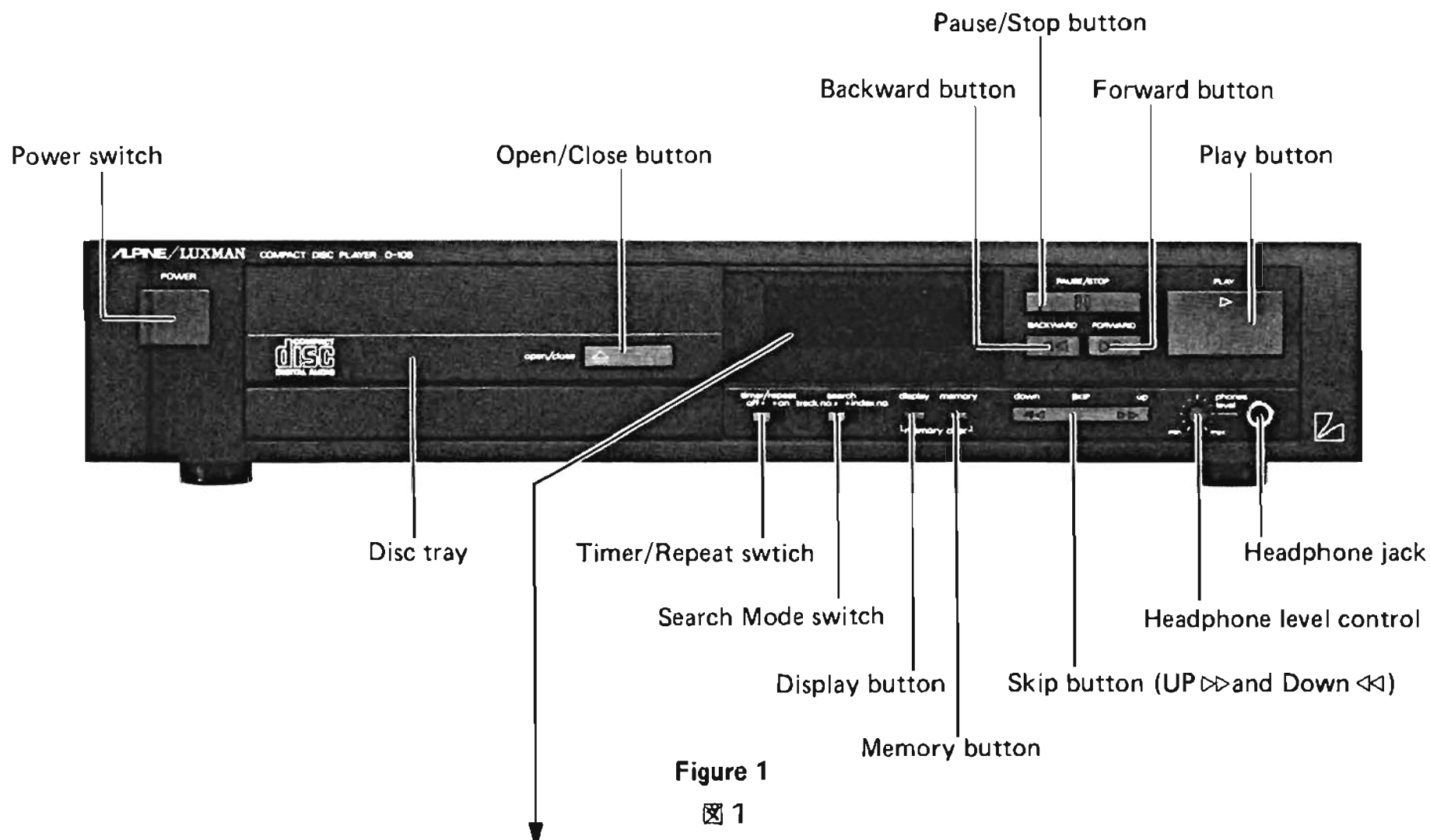


Figure 1  
☒ 1

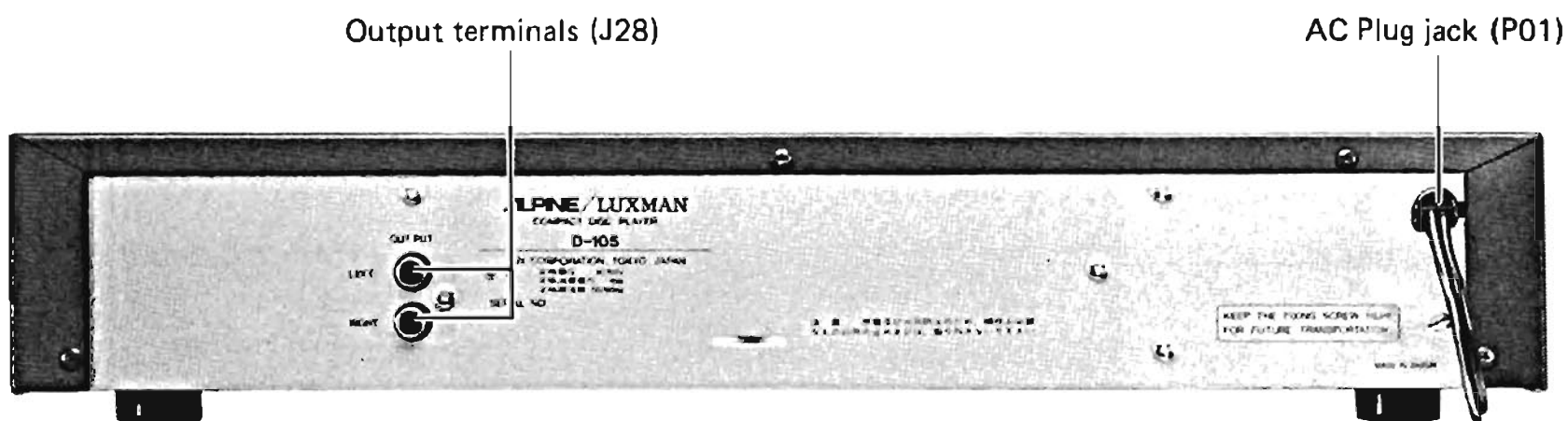
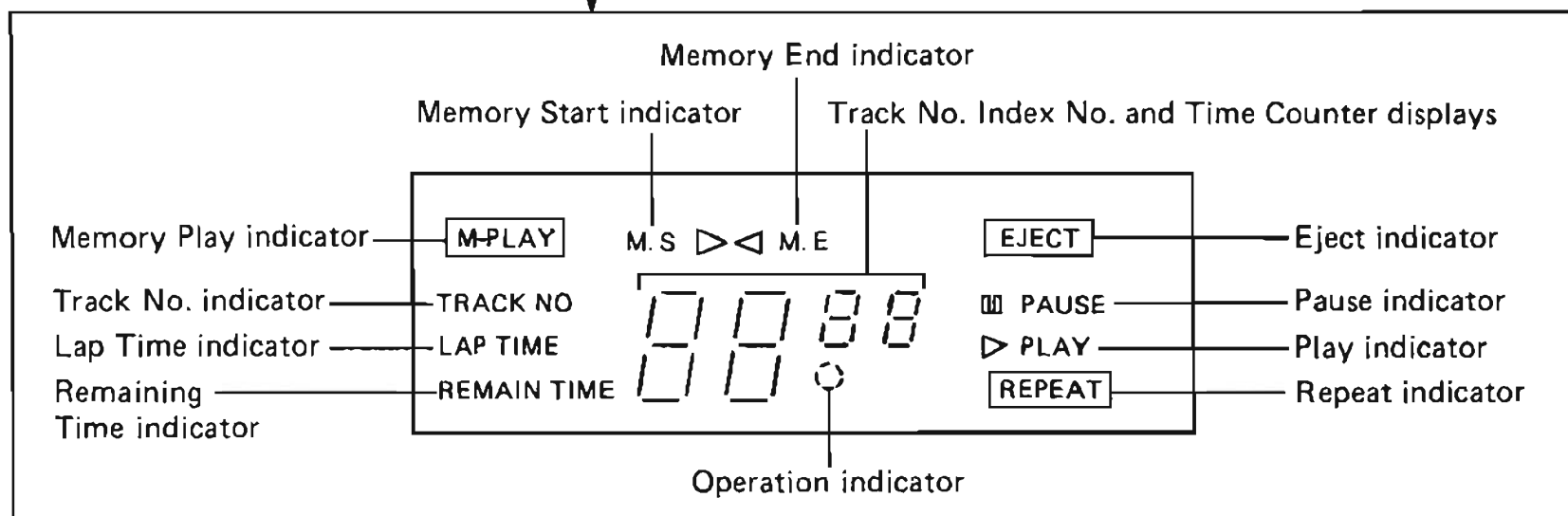


Figure 2  
☒ 2

### 1. TOP COVER REMOVAL

- (1) Remove four screws (A) and (B) on both sides and four screws (C) on back side, and the top cover will be removed. (See Figure 3, 4 and 5)

#### 1. 上蓋の外し方

- (1) 両サイドの4本のネジ (A) 印, (B) 印とバックサイドの4本のネジ (C) 印を外します。  
以上で上蓋は外れます。(3, 4, 5 図参照)

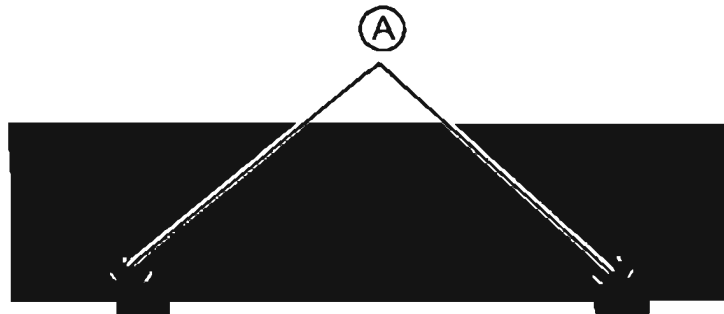


Figure 3

図 3

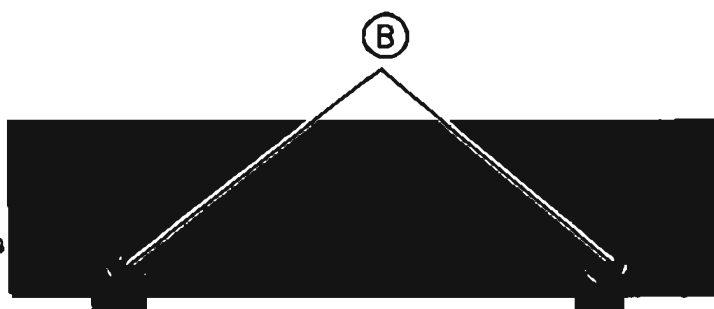


Figure 4

図 4

### 2. SERVO P.C. BOARD REMOVAL

- (1) Remove the top cover. Remove four hooks (D). (See Figure 6)  
(2) Remove all connectors and wire leads from Servo P.C. Board, and the Servo P.C. Board will be removed.

#### 2. サーボ基板の外し方

- (1) 上蓋を外した後, 4ヶのフック (D) 印を外します。(6 図参照)  
(2) サーボ基板から出ている全てのコネクタとワイヤを外します。  
以上でサーボ基板は外れます。

### 3. MAIN P.C. BOARD AND FLAT PACKAGE REMOVAL

- (1) After removing Servo P.C. Board, remove three screws (E). (See Figure 5 and 6)  
(2) Remove all connectors and wire leads from Main P.C. Board and Flat Package P.C. Board, and the Main P.C. Board and Flat Package P.C. Board will be removed.

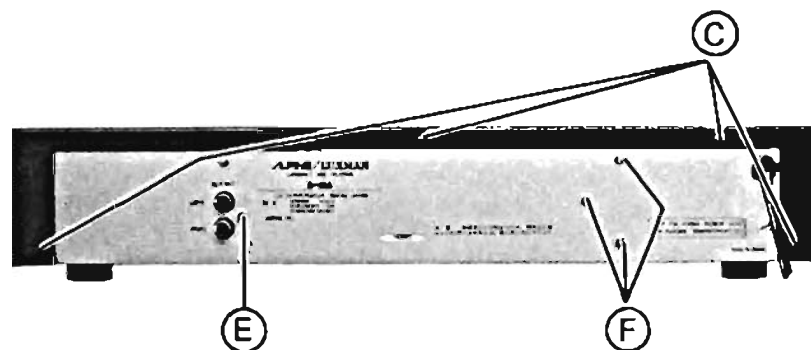


Figure 5

図 5

#### 3. メイン基板とフラット・パッケージ基板の外し方

- (1) サーボ基板を外した後, 3本のネジ (E) 印を外します。(5, 6 図参照)  
(2) メイン基板とフラット・パッケージ基板から出ている全てのコネクタとワイヤを外します。  
以上で, メイン基板とフラット・パッケージ基板は外れます。

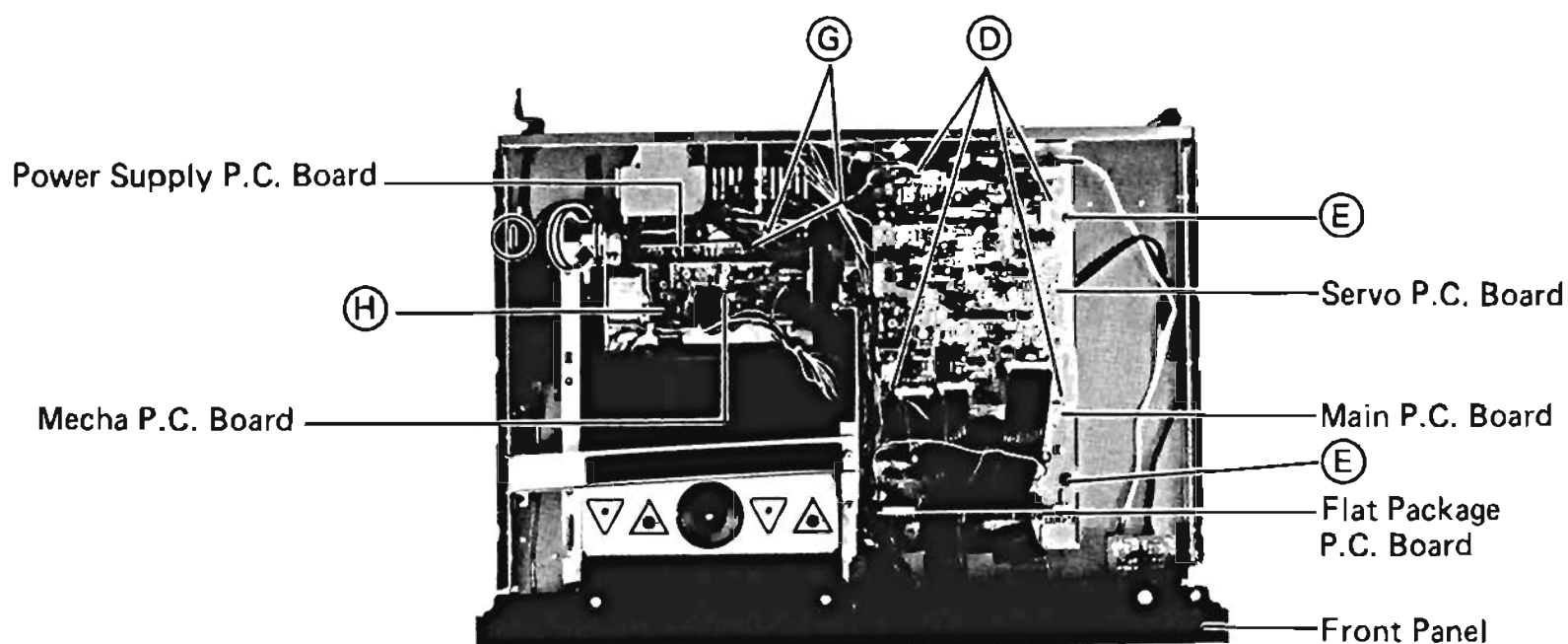


Figure 6

図 6

#### 4. POWER SUPPLY P.C. BOARD REMOVAL

- (1) After removing top cover, remove three screws (F). (See Figure 5)
- (2) Remove six screws (G). (See Figure 6 and 7)
- (3) Remove all connectors and wire leads from Power Supply P.C. Board, and the Power Supply P.C. Board will be removed.

#### 4. パワーサプライ基板の外し方

- (1) 上蓋を外した後、3本のネジ (F) 印を外します。(5図参照)
- (2) 6本のネジ (G) 印を外します。(6, 7図参照)
- (3) パワーサプライ基板から出ている全てのコネクタとワイヤーを外します。以上でパワーサプライ基板は外れます。

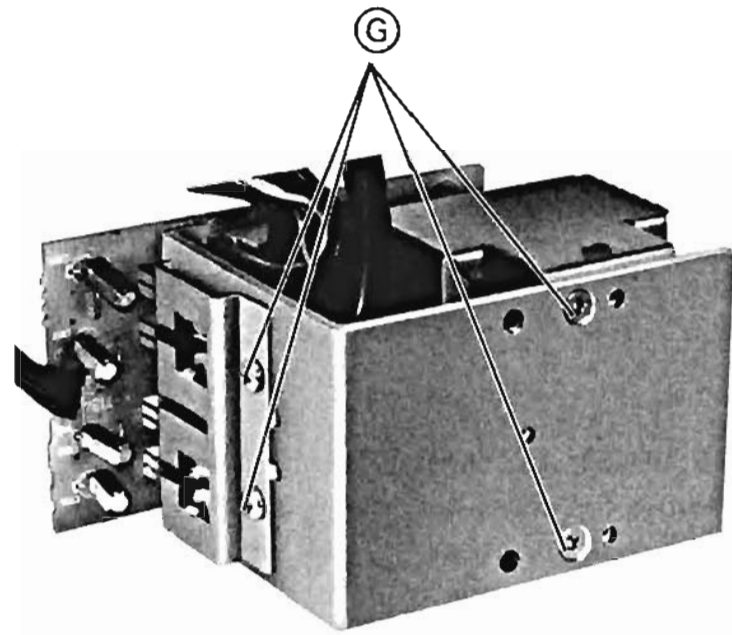


Figure 7

図7

#### 5. MECHA P.C. BOARD REMOVAL

- (1) After removing top cover, remove one screws (H). (See Figure 6)
- (2) Remove all connectors and wire leads from Mecha P.C. Board, and the Mecha P.C. Board will be removed.

#### 5. メカ基板の外し方

- (1) 上蓋を外した後、1本のネジ (H) 印を外します。(6図参照)
- (2) メカ基板から出ている全てのコネクタとワイヤーを外します。以上でメカ基板は外れます。

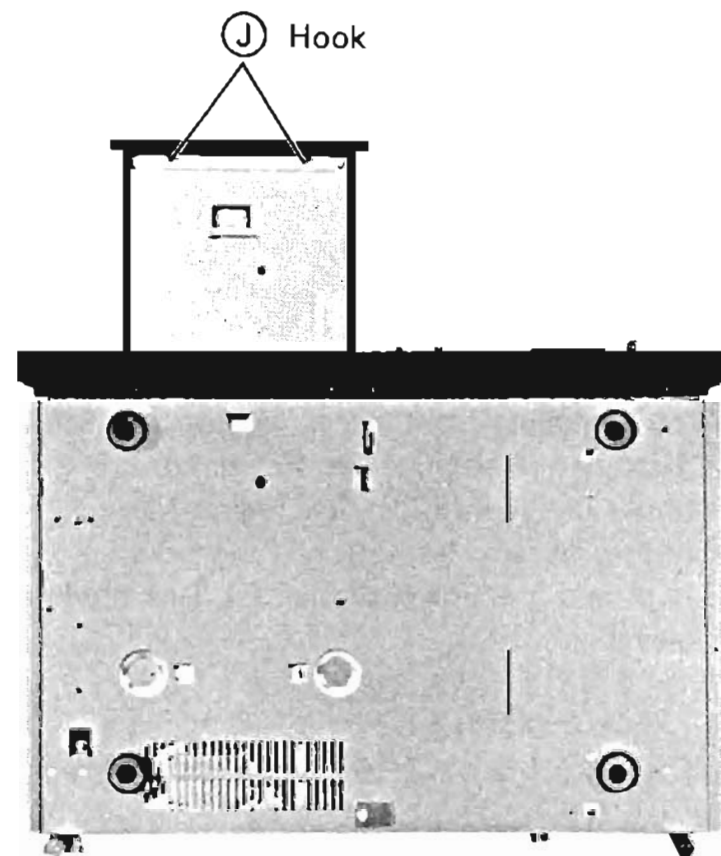


Figure 8

図8

#### 6. TRAY PANEL REMOVAL

- (1) Remove top cover.
- (2) Mechanism assembly comes out (open) by pulling mechanism assembly gear in direction (I) shown by arrow while pressing the gear with your finger. (See Figure 6)
- (3) Remove tray panel by pushing hook (J) or Tray mold securing tray panel. (See Figure 8)

#### 6. トレイパネルの外し方

- (1) 上蓋を外します。
- (2) 指でメカニズム組立のギアを押しながら矢印の方向 (I) 印にメカニズム組立を引き、メカニズム組立を引き出しておきます。(オープンにします)(6図参照)
- (3) トレイパネルを固定しているフック (J) 印か、トレイモールドを押してトレイパネルを外します。(8図参照)

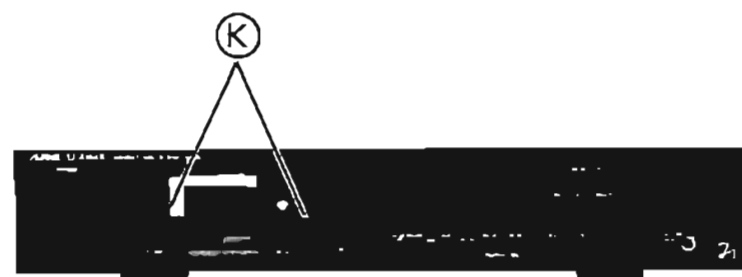


Figure 9

図9

## 7. TRAY MOLD REMOVAL

- (1) Remove top cover and tray panel.
- (2) Remove two screws (K) securing tray mold, and the tray mold will be removed. (See Figure 9)

### 7. トレイモールドの外し方

- (1) 上蓋とトレイパネルを外します。
- (2) トレイモールドを固定している2本のネジ (K) 印を外します。  
以上で、トレイモールドは外れます。

## 8. FRONT PANEL ASSEMBLY REMOVAL

- (1) Remove top cover, tray panel, and tray mold.
- (2) Remove seven screws (L), (M) and (N) securing front panel, and the front panel assembly will be removed. (Pay attention to connector leads and joint of power supply switch.) (See Figure 10, 11 and 12)

### 8. フロントパネル組立の外し方

- (1) 上蓋、トレイパネル、トレイモールドを外します。
- (2) フロントパネルを固定している7本のネジ (L) 印、(M) 印、(N) 印を外します。  
以上でフロントパネル組立は外れます。  
(コネクタ線や電源スイッチの接続が外れないように注意してください。)

## 9. POWER SWITCH P.C. BOARD REMOVAL

- (1) After removing front panel, remove two screws (O) and two rivets (P). (See Figure 10)
- (2) Remove one screw (Q). (See Figure 13)
- (3) Remove all wire leads from Power Switch P.C. Board, and the Power Switch P.C Board will be removed.

### 9. パワースイッチ基板の外し方

- (1) フロントパネルを外した後、2本のネジ (O) 印と2ヶのリベット (P) 印を外します。(10図参照)
- (2) 1本のネジ (Q) 印を外します。(13図参照)
- (3) パワースイッチ基板から出ている全てのワイヤーを外します。  
以上でパワースイッチ基板は外れます。

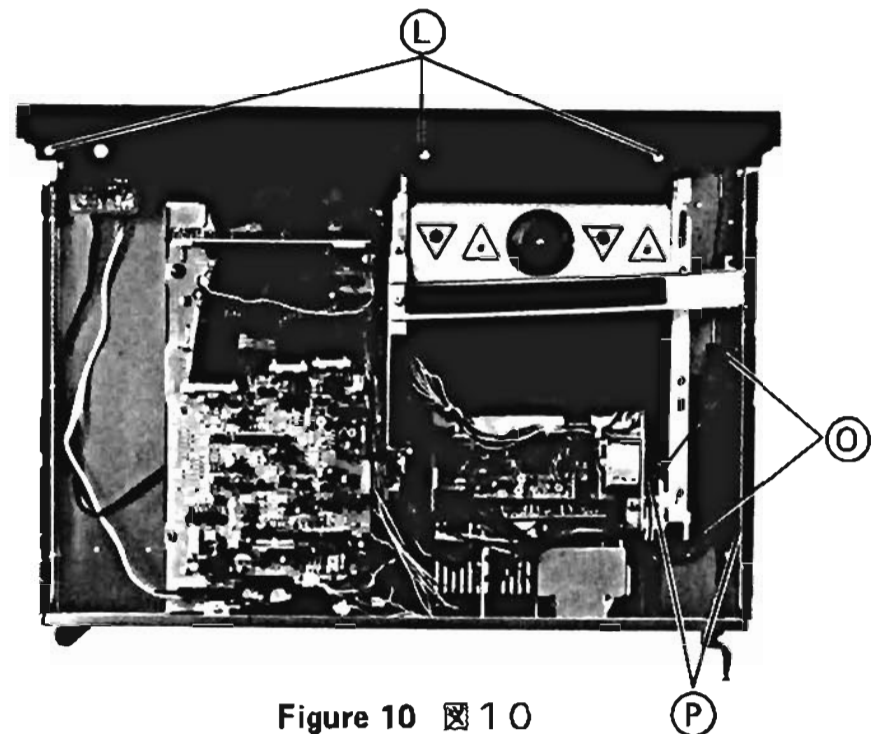


Figure 10 図 10

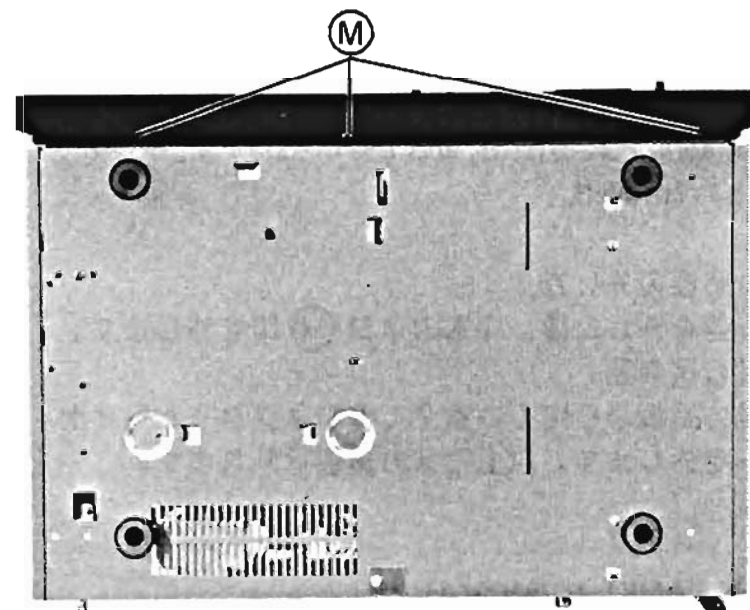


Figure 11

図 11



Figure 12 図 12

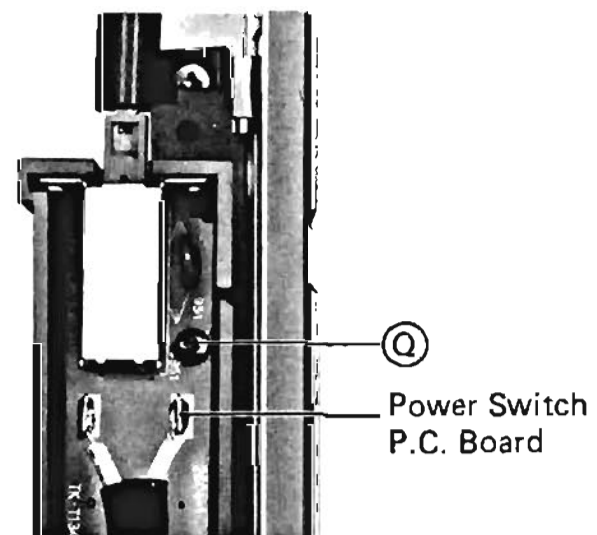


Figure 13

図 13

### 10. OPEN/CLOSE P.C. BOARD REMOVAL

- (1) After removing front panel, remove one screw (R). (See Figure 14)
- (2) Remove all wire leads from Open/Close P.C. Board, and the Open/Close P.C. Board will be removed.

#### 10. オープン/クローズ基板の外し方

- (1) フロントパネルを外した後、1本のネジ (R) 印を外します。(14図参照)
- (2) オープン/クローズ基板から出ている全てのワイヤーを外します。  
以上でオープン/クローズ基板は外れます。

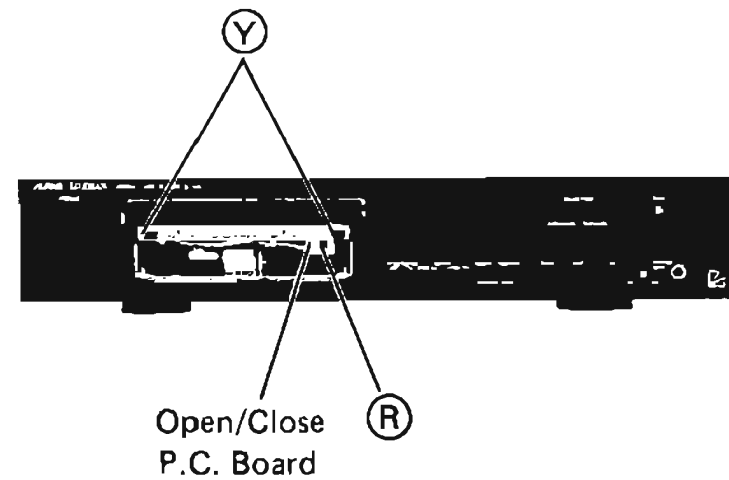


Figure 14

図14

### 11. DISPLAY P.C. BOARD REMOVAL

- (1) After removing front panel, remove five screws (S) and four hooks (T). (See Figure 15)
- (2) Remove all wire leads from Display P.C. Board, and the Display P.C. Board will be removed.

#### 11. ディスプレイ基板の外し方

- (1) フロントパネルを外した後、5本のネジ (S) 印と4ヶのフック (T) 印を外します。(15図参照)
- (2) ディスプレイ基板から出ている全てのワイヤーを外します。  
以上でディスプレイ基板は外れます。

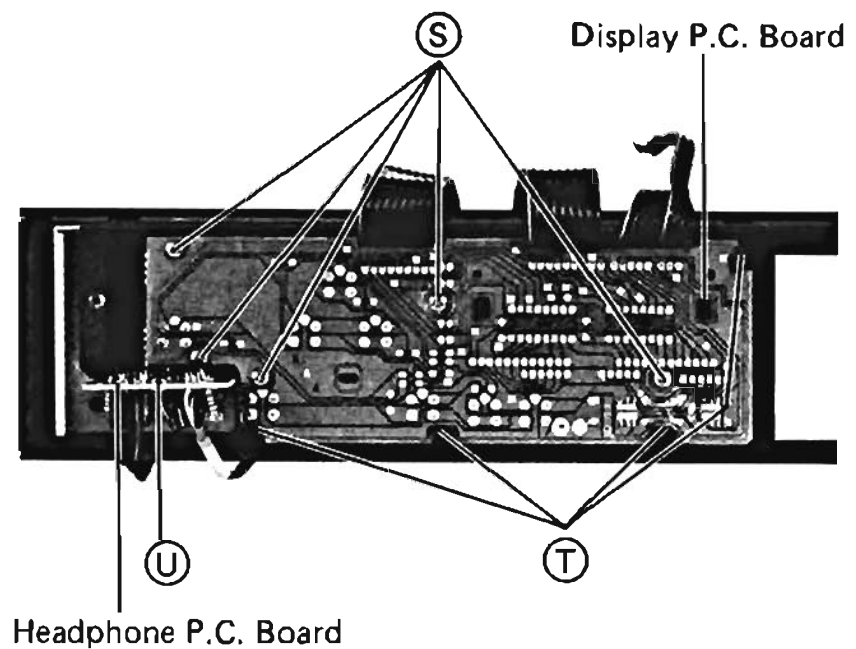


Figure 15

図15

### 12. HEADPHONE P.C. BOARD REMOVAL

- (1) After removing front panel, remove one screw (U). (See Figure 15)
- (2) Remove one nut (V). (See Figure 16)
- (3) Remove all wire leads from Headphone P.C. Board, and the Headphone P.C. Board will be removed.

#### 12. ヘッド・ホーン基板の外し方

- (1) フロントパネルを外した後、1本のネジ (U) 印を外します。(15図参照)
- (2) 1ヶのナット (V) 印を外します。(16図参照)
- (3) ヘッド・ホーン基板から出ている全てのワイヤーを外します。  
以上でヘッド・ホーン基板は外れます。

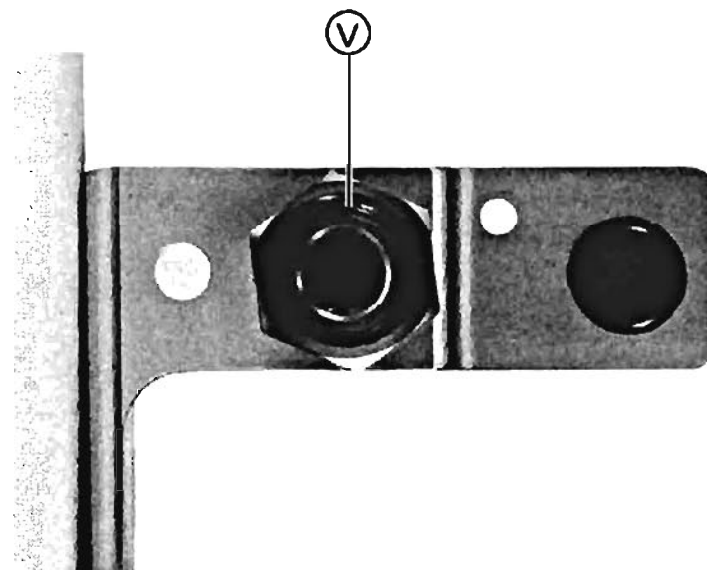


Figure 16

図16

### 13. MECHANISM ASSEMBLY REMOVAL

- (1) Remove front panel assembly.
- (2) Move mechanism assembly forward. (Open it.)
- (3) Remove two screws (W) securing mechanism assembly, and the mechanism assembly will be removed. (See Figure 17)

#### 13. メカニズム組立の外し方

- (1) フロントパネル組立を外します。
- (2) メカニズム組立を手前に引きます。(オープンにします)
- (3) メカニズム組立を固定している2本のネジ (W) 印を外します。  
以上でメカニズム組立は外れます。(17図参照)

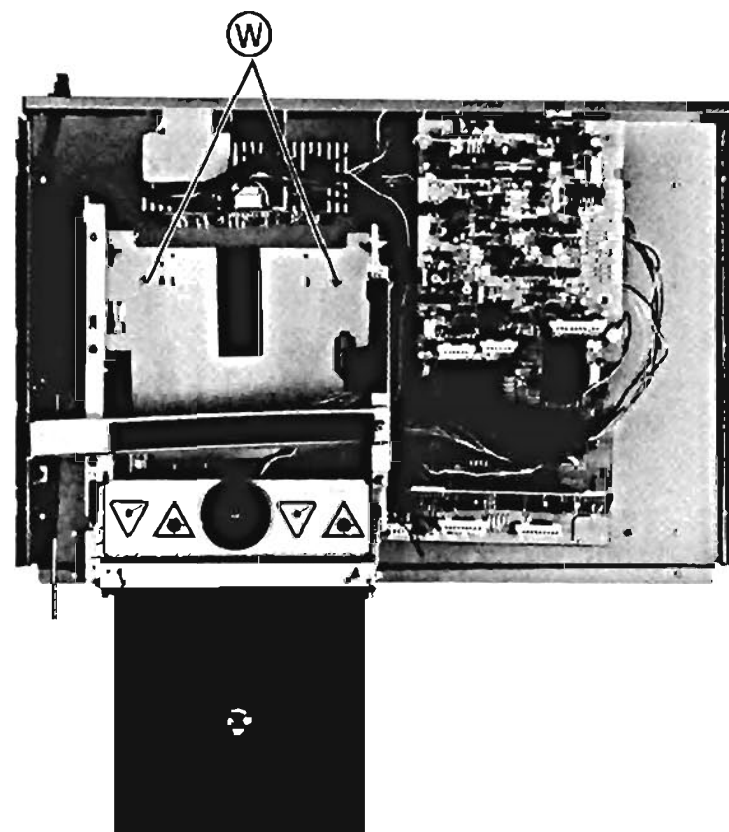


Figure 17  
図 17

### 14. DISC TRAY REMOVAL

- (1) Remove tray panel and tray mold.
- (2) Remove two screws (X) securing disc tray. (See Figure 18)
- (3) Move mechanism assembly forward. (Open it.)
- (4) Lift disc tray up with hook (Y) pushed, the disc tray will be removed. (See Figure 14)

#### 14. ディスクトレイの外し方

- (1) トレイパネルとトレイモールドを外します。
- (2) ディスクトレイを固定している2本のネジ (X) 印を外します。(18図参照)
- (3) メカニズム組立を手前に引きます。(オープンにします)
- (4) フック (Y) 印を押してディスクトレイを持ち上げます。  
以上でディスクトレイは外れます。(14図参照)

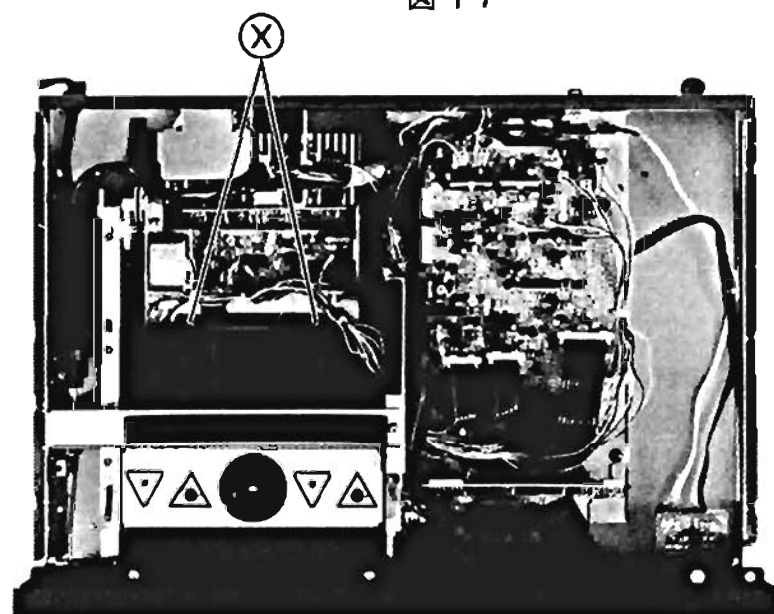


Figure 18  
図 18

### 15. MECHANISM BOTTOM BOARD REMOVAL

- (1) Move mechanism assembly forward. (Open it.)
- (2) Remove two screws (Z) securing bottom board, and the mechanism bottom board will be removed. (See Figure 19)

#### 15. メカニズム底板の外し方

- (1) メカニズム組立を手前に引きます。(オープンにします)
- (2) 底板を固定している2本のネジ (Z) 印を外します。  
以上でメカニズム底板は外れます。(19図参照)

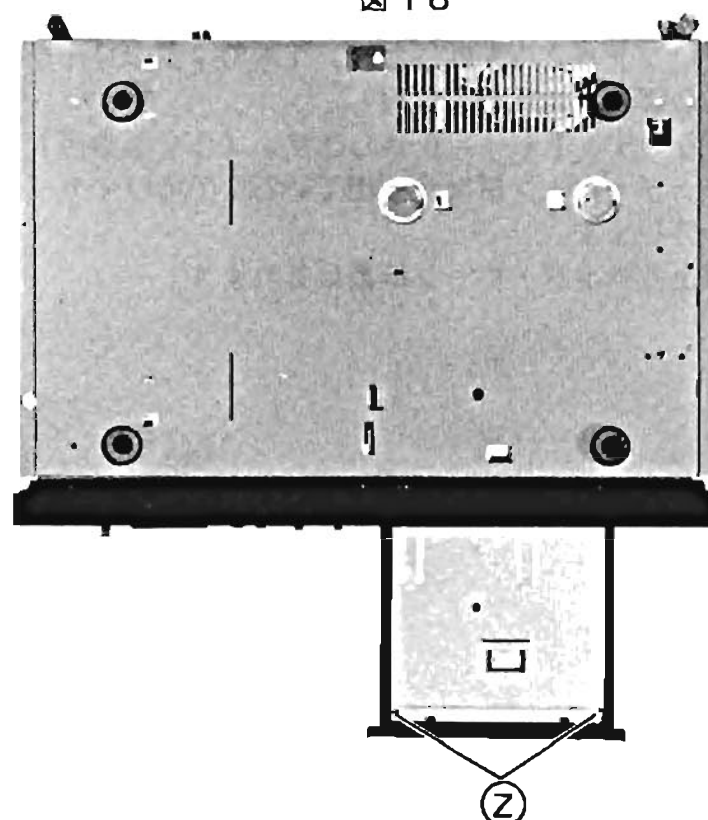


Figure 19  
図 19



## 16. LASER PICK-UP REMOVAL

- (1) Remove disc tray and pick-up cover. (See Figure 20)
- (2) Remove four screws (A) of mecha. chassis (B). (See Figure 20)
- (3) Remove two screws (C) of guide rack assembly (D). (See Figure 21)
- (4) Short-circuit the terminals of the laser pick-up, then remove the connector and leads. (Refer to CAUTIONS ON REPLACEMENT OF PICK-UP.)
- (5) Remove outside spring (E). (See Figure 22)
- (6) Remove two screws (F), and the laser pick-up (G) will be removed. (See Figure 22 and 23)

### 16. レーザーピックアップの外し方

- (1) ディスクトレイとピックアップカバーを外します。(20図参照)
- (2) メカシャーシ (B) 印の4本のネジ (A) 印を外します。(20図参照)
- (3) ガイドラック組立 (D) 印の2本のネジ (C) 印を外します。(21図参照)
- (4) レーザーピックアップの端子をショートさせてからコネクタ-リード線を外します。(ピックアップの取り外し上の注意参照)
- (5) 外側のスプリング (E) 印を外します。(22図参照)
- (6) 2本のネジ (F) 印を外します。以上で、レーザーピックアップ (G) 印は外れます。(22, 23図参照)

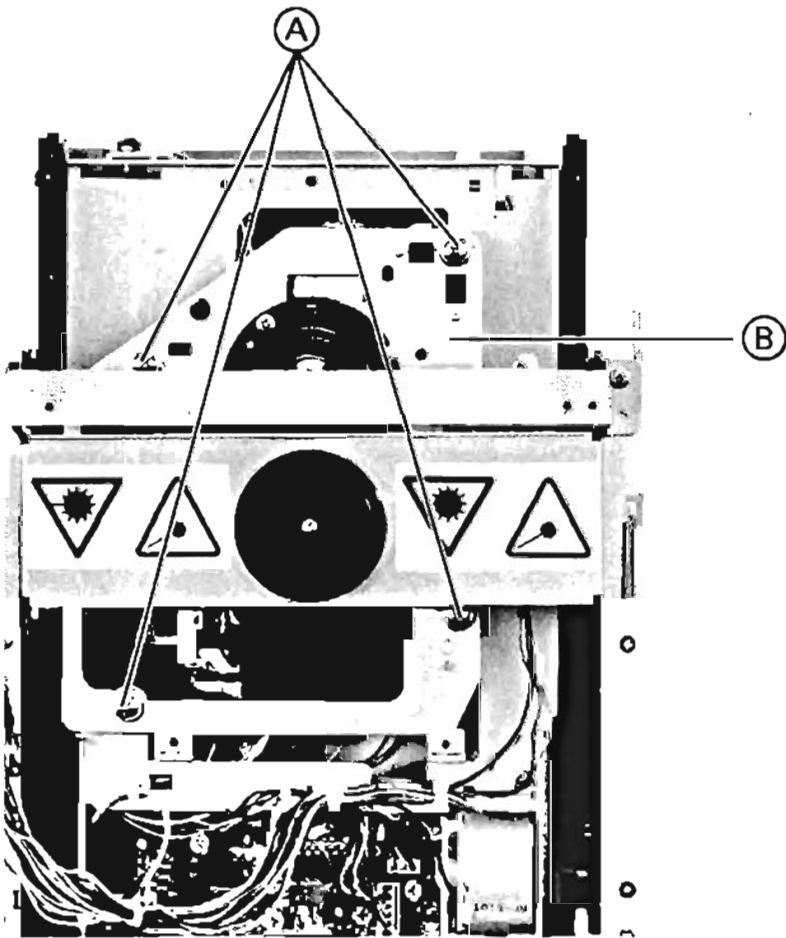


Figure 20  
図 20

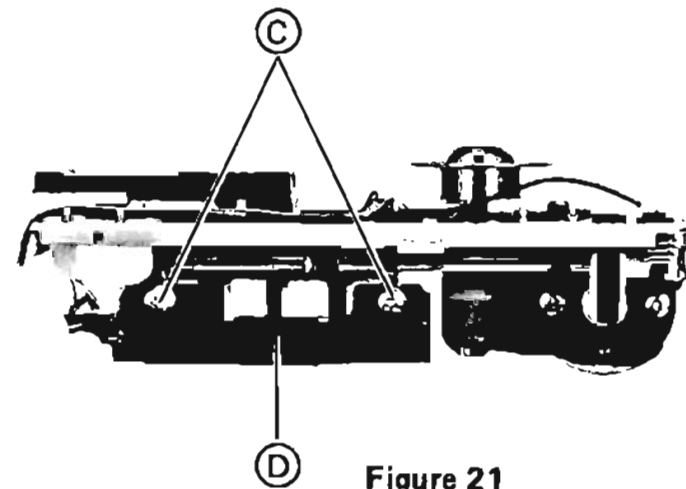


Figure 21  
図 21

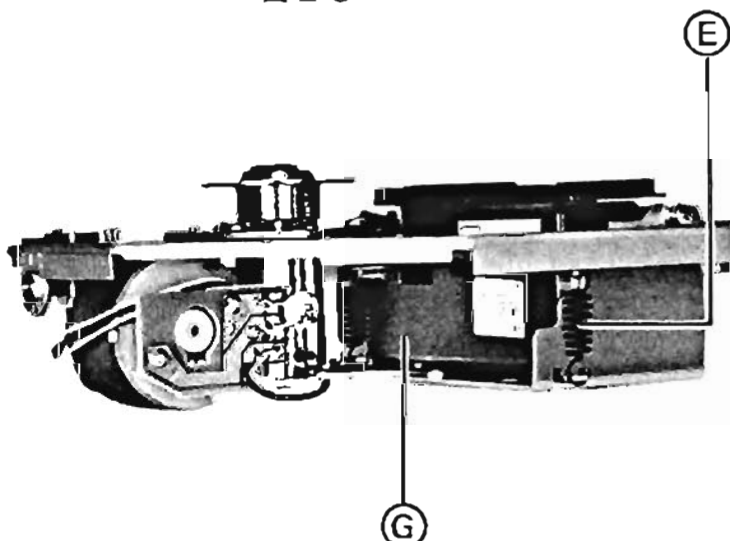


Figure 22  
図 22

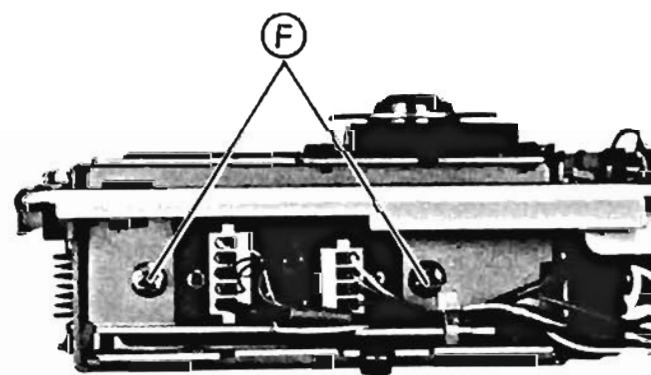


Figure 23  
図 23

## Cautions on Replacement of Pick-Up

1. When removing the laser pick-up, temporarily connect (solder) the terminals to which red and black leads have been connected to protect the laser pick-up from damage which would be caused during removal work of the pick-up.
2. Disconnect the connector and leads after completion of soldering. Do not touch the terminals on the pick-up by your hand.
3. When mounting a new laser pick-up, first connect the connector and leads and then remove short-circuit spring on the P.C. Board. (Refer to Fig. 26 and 27)

When mounting the laser pick-up, the terminals (red and black) of which were soldered in the step 1. above, first connect the connector and leads before unsoldering the terminals (red and black). (Refer to Fig. 27)

- \* Use a soldering iron grounded (or iron less leakage).
- \* Cover the working bench with a conductive mat which is also grounded.
- Before proceeding job, always touch the conductive mat or ground lead with your both hand to discharge electric charges developed on your body.

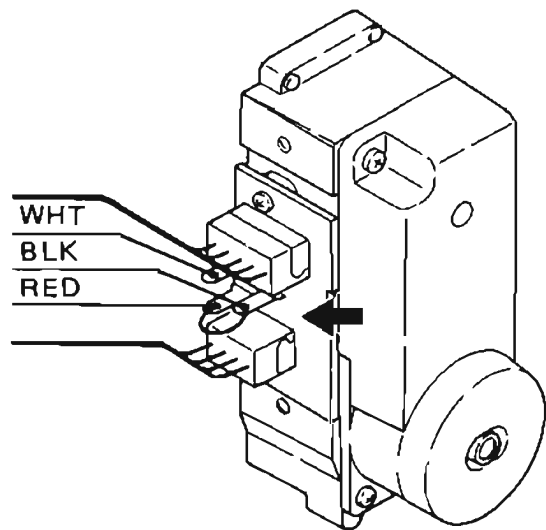


Figure 24

Solder or short-circuit these two terminals before disconnecting the connector leads.

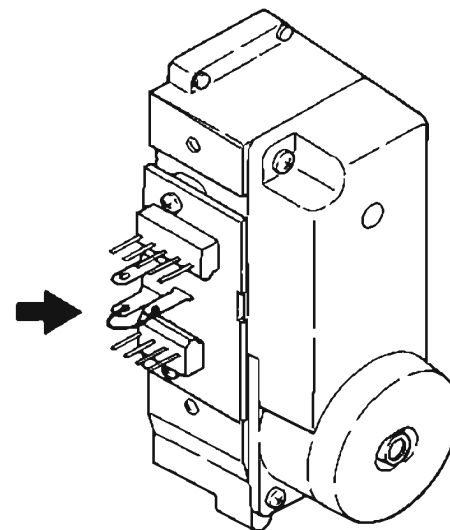


Figure 25

The terminals short-circuited.

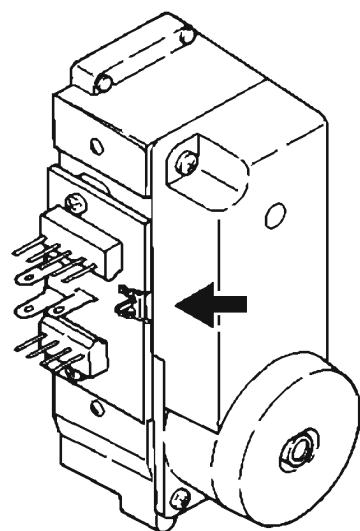


Figure 26

Shorting spring (to short-circuit the terminals)

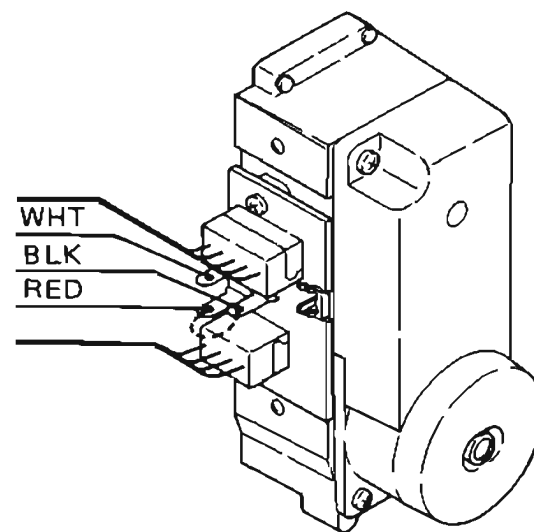


Figure 27

Remove the shorting spring after connection of the connector and leads have been completed. Shorting spring

### RANKS OF PICK-UP

The pickups are divided into two rank groups, B and C, and one of ranks is indicated on a label put on a side of the pickup as shown. When a new pickup having the same rank as one of the pickup to be replaced is replaced, no additional resistor replacement is required. However, when the pickup has a different rank, one resistor must be changed as tabulated below, depending on the rank of the pickup to be replaced.

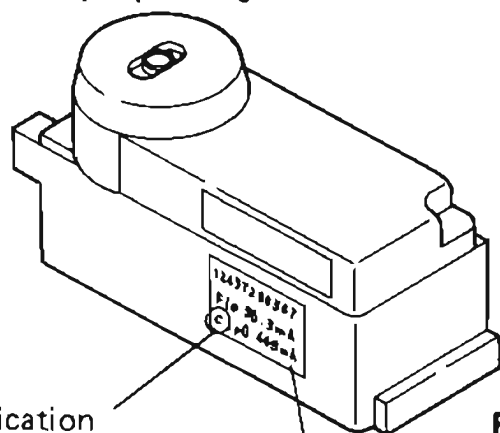


Figure 28

Symbol No.	R129	R130
Rank B	Use 18K ohm	Remove
Rank C	Remove	Use 6.8K ohm

## ピックアップ取り外し上の注意

1. レーザーピックアップを取り外す時には、赤と黒のリード線が接続されている端子をはんだ付けしてショートします。ピックアップ取り外しの作業中起こるかもしれないレーザーピックアップの破損を防ぐためです。
  2. はんだ付けが完全に終わったらコネクタとリード線を外します。ピックアップの端子には手を触れないよう注意してください。
  3. 新しいレーザーピックアップを交換する時は、コネクタにリード線を接続してから、PC板のショート用スプリングを外してください。(26, 27図参照)  
その時、コネクタとリード線を接続してから、1ではんだ付けした赤と黒の端子のはんだを取り除いてください。(27図参照)
- \* アースされたはんだごて(または漏電のないはんだごて)を使用してください。  
\* アースされた導電マットで作業台をおおってください。  
・ 作業を始める前には、いつも両手で導電マットやアース線に触れて身体に帯電している電荷を放電してください。

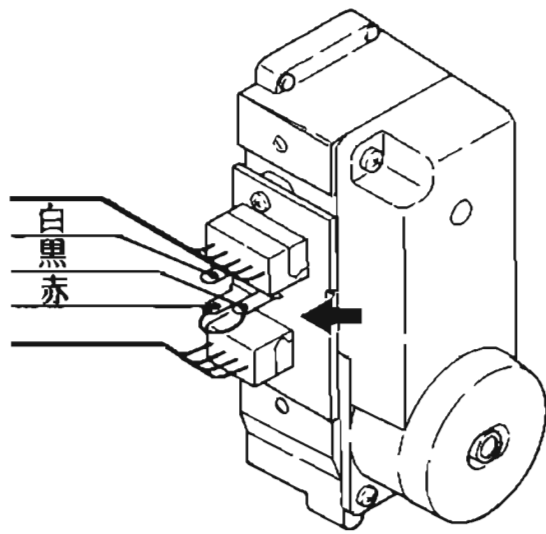


図24

コネクタを外す前に2本の端子をはんだ付けしてショートします

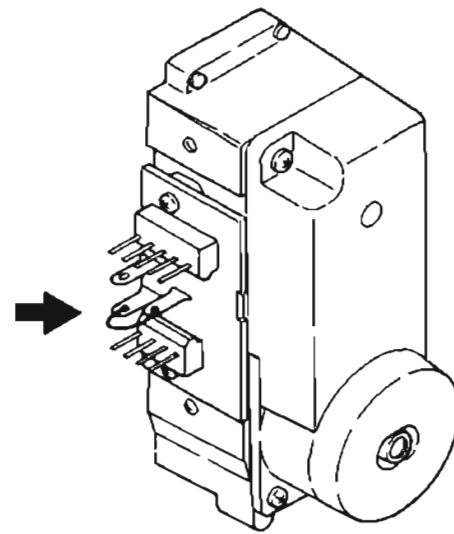


図25

ショートされた状態の端子

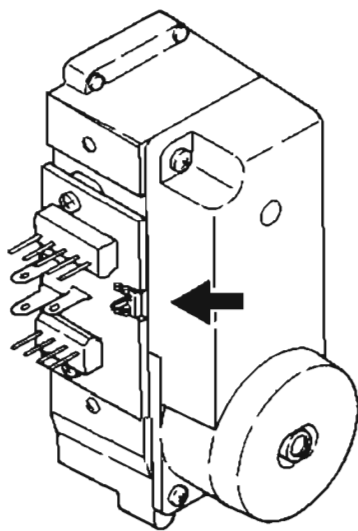


図26

端子用ショートスプリング

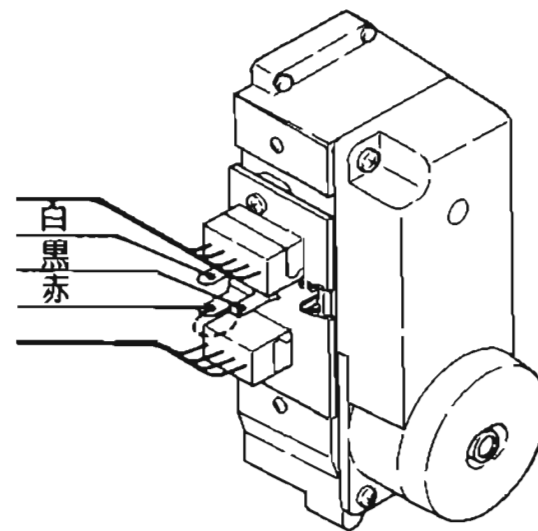
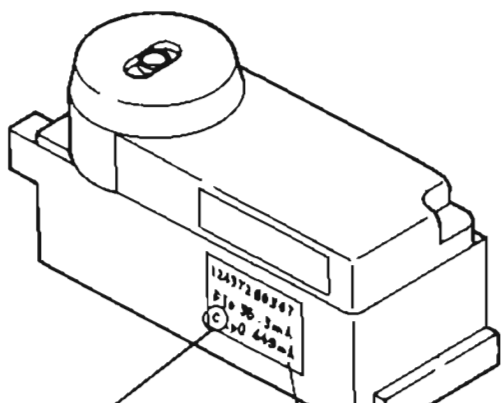


図27

コネクタとリード線の接続が完了した後、ショート用スプリングを外します

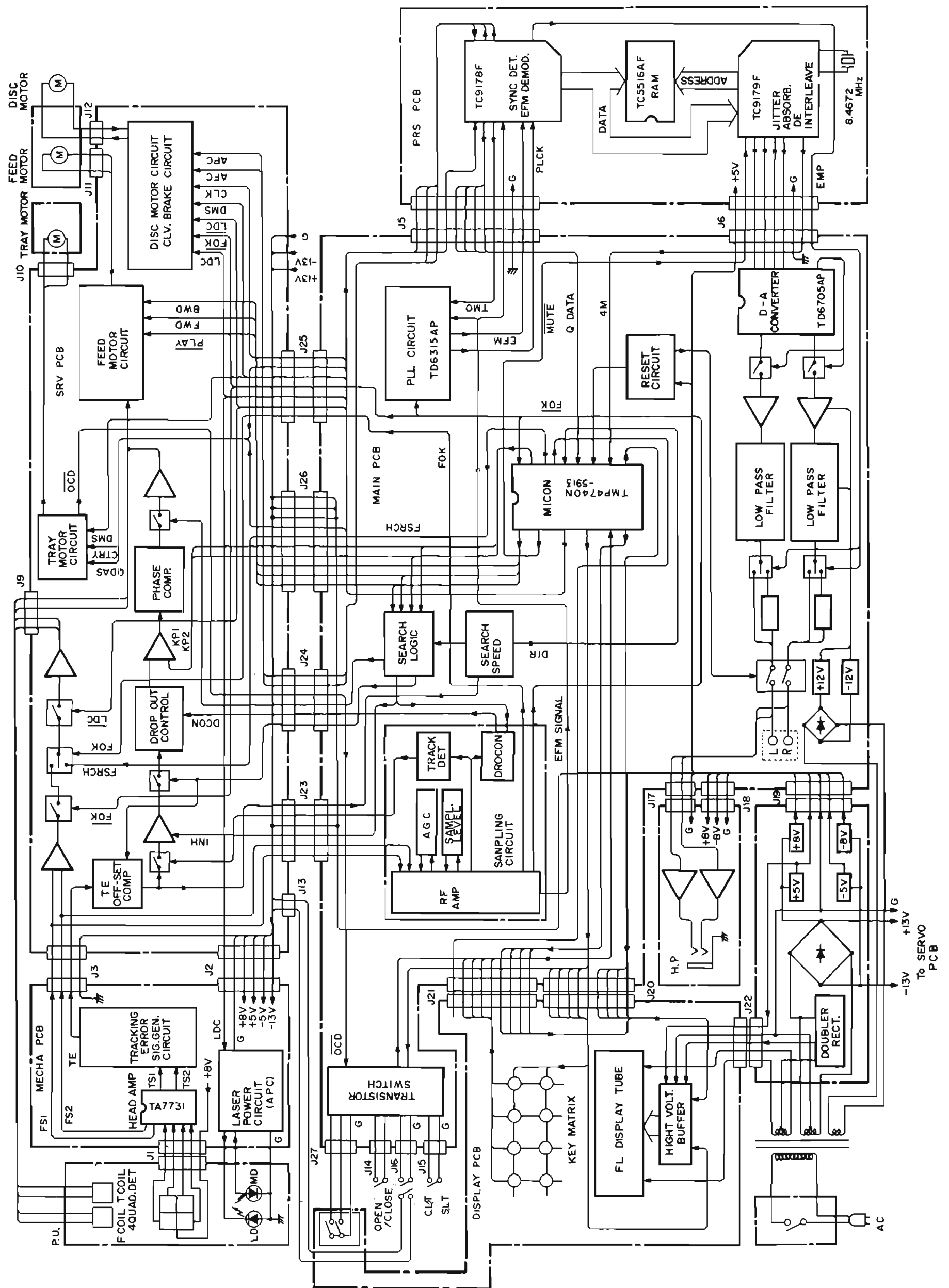
### ピックアップのランク

ピックアップはB, Cふたつのグループにランクされ、図のようにピックアップの側面に貼ってあるラベルにランクが表示されています。取り換えるピックアップと新しく取り付けあるピックアップのランクが同じ場合には、さらに抵抗を取り換える必要はありません。違うランクのピックアップを交換する時には、下表に示されているように新しく取り付けるピックアップのランクに従って抵抗を取り換える必要があります。



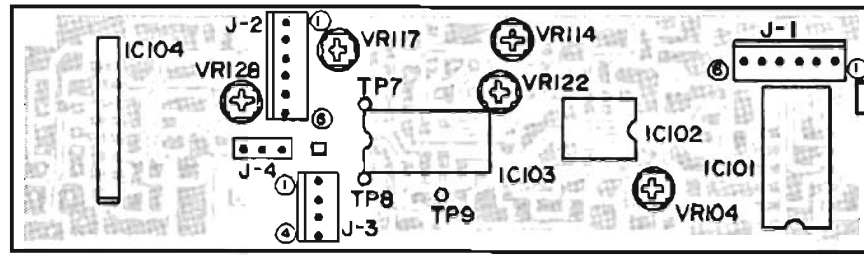
シンボルNo.	R129	R130
ランク		
B	18 k	取り除く
C	取り除く	6.8 k

# Block Diagram

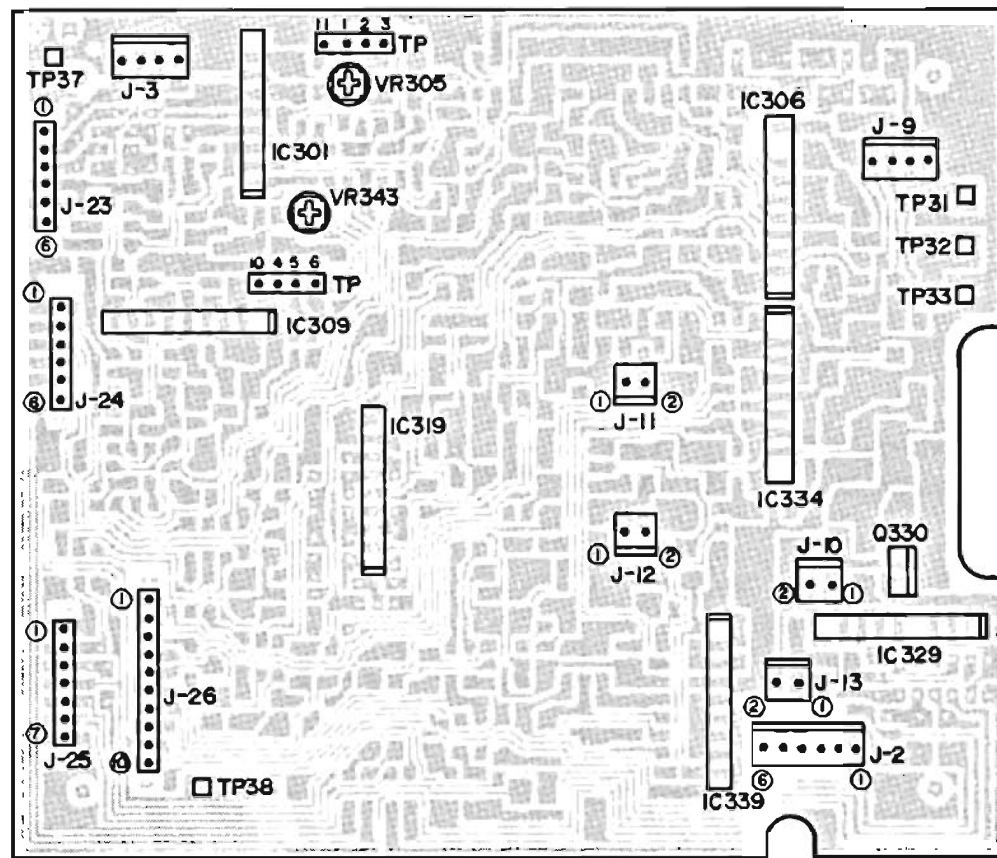


# Adjustment Locations

Mechanism P.C. Board



Servo P.C. Board



Main P.C. Board

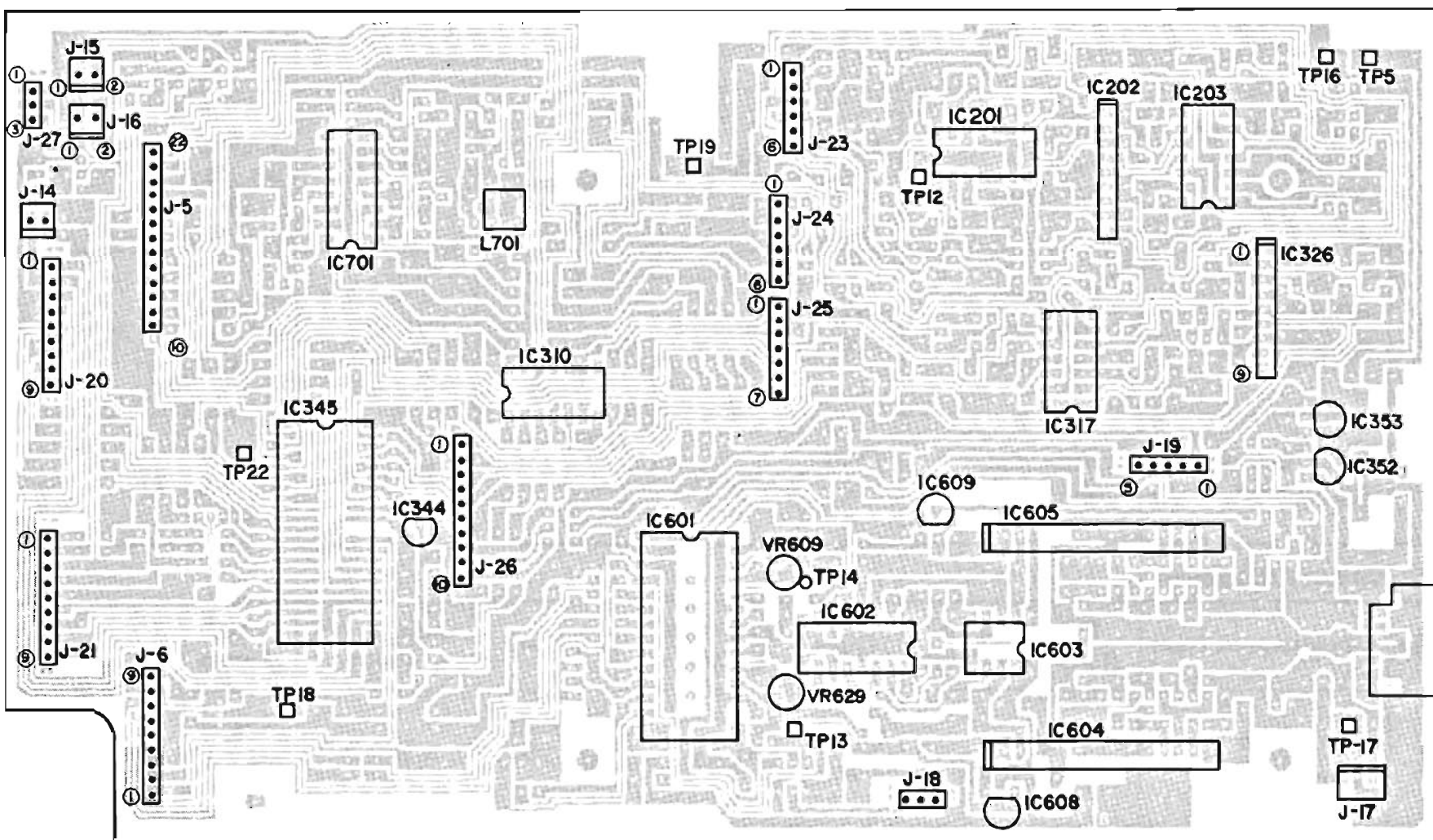


Figure 29

## Adjustment Procedures

### Measurement Jigs

- |                                  |                           |                        |
|----------------------------------|---------------------------|------------------------|
| 1. Laser Power Checker           | 4. Tester                 | 7. Test Disc A (YEDS7) |
| 2. Oscilloscope                  | 5. AC Millivoltmeter      | 8. Attachment          |
| 3. PU Alignment Jig (for XR-Z70) | 6. Regulated Power Supply | 9. Clamper             |

### Adjustment Procedure in Pick-up Replacement

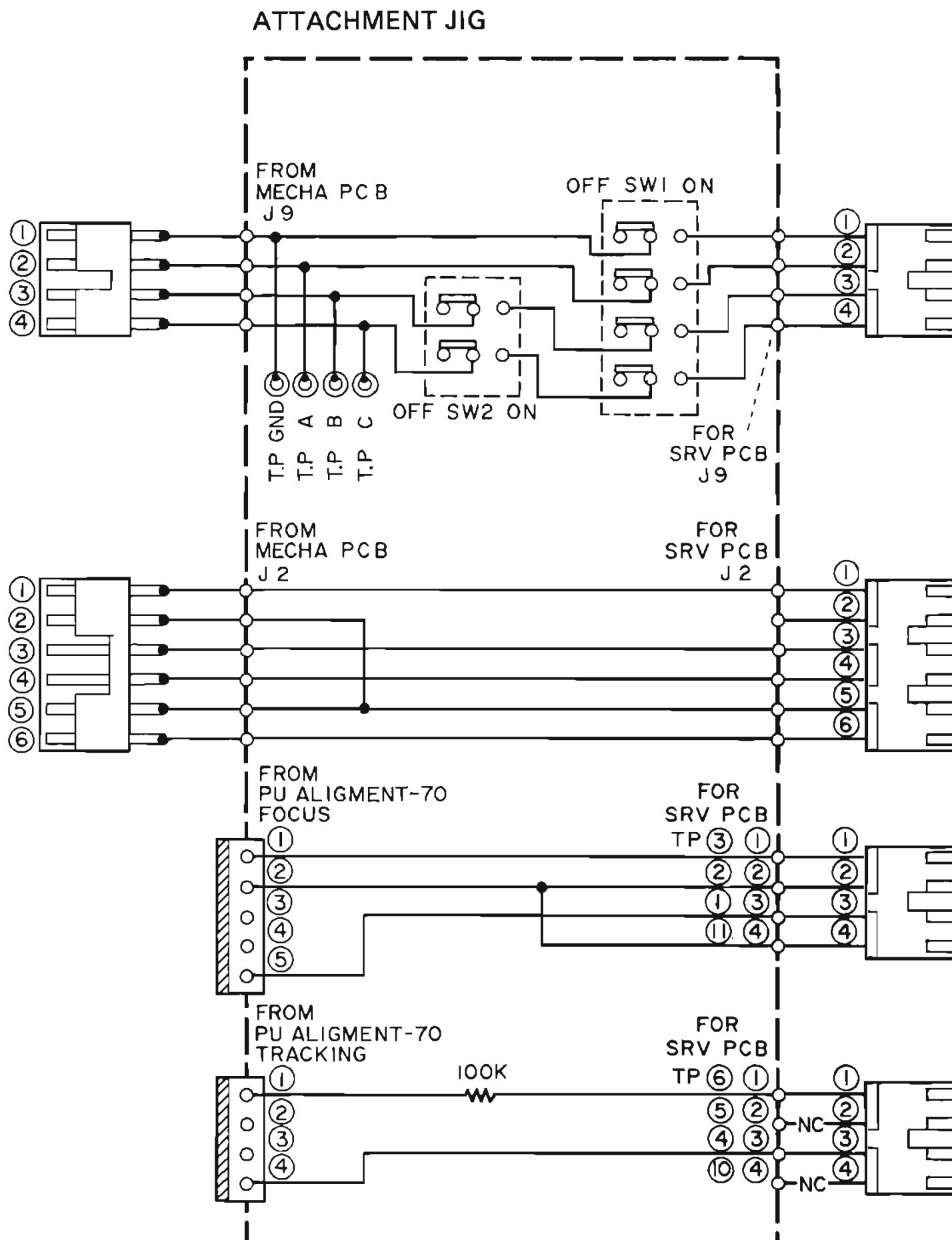
Step	Measurement Item	Measurement Reference Value	Disc	Operation Button	Test Point	Adjustment Point	Test/Setup	Note
1	Laser Power Adjustment	Light output 250 $\mu$ W $\pm$ 5 $\mu$ W	Not loaded	Power ON	Pick-up lens	VR128	Figure 30, 31	J-2, J-9, J-10, J-11 S103, 104
2	PU Position (Height) Adjustment	DC 0V $\pm$ 50mV	TYPE A	PLAY	IC101 Pin ⑮, ⑯ Attachment TP, A	VR104 VR117 (↷) pick-up lower side ①, ②, ③.	Figure 32, 33, 34, 35	J-2, J-3, J-9, J-10, 11 S103, S104
3	PU Tangential Direction Adjustment (Angle Adjustment)	AC millivoltmeter Max.	TYPE A	PLAY	TE, B	Pick-up lower side ④.	Figure 36, 37, 38	Keep unit under the same condition as for Step 2 just finished.
4	PU Radial Direction Adjustment (Angle Adjustment)	AC millivoltmeter Max.	TYPE A	PLAY	TE, B	Pick-up lower side ①.	Figure 36, 37, 38	Same as above
5	Repeat steps 2 via 4.							
6	DC Balance Adjustment	Tracking error 0V center	TYPE A	PLAY	TE, B	VR117 (↷) VR114	Figure 39, 40, 41, 42	Same as above
7	Tracking Error Balance Adjustment	DC offset value 0V center	TYPE A	PLAY	TE, B Attachment TP, B, C	VR117	Figure 43, 44, 45	Same as above
8	AC Balance Adjustment	Tracking waveform 0V center	TYPE A	PLAY	TE, B Attachment TP, B, C	VR122	Figure 43, 44, 45	Same as above
9	Focus Balance Adjustment	Jitter meter Min.	TYPE A	PLAY	TP12, IC317 Pin ⑥	VR104	Figure 46, 47, 48	J11

### Servo Circuit Adjustment

Step	Measurement Item	Measurement Reference Value	Disc	Operation Button	Test Point	Adjustment Point	Test/Setup	Note
1	Focus Gain Adjustment	AC 28mV $\pm$ 2mV RMS	TYPE A	PLAY	Servo P.C. Board TP-11, 1, 2, 3	VR305	Figure 49, 51, 52	1 kHz
2	Tracking Gain Adjustment	AC 44mV $\pm$ 4mV RMS	TYPE A	PLAY	Servo P.C. Board TP-10, 4, 5, 6	VR343	Figure 50, 53, 54	1.5 kHz

Analog Circuit Adjustment

Step	Measurement Item	Measurement Reference Value	Disc	Operation Button	Test Point	Adjustment Point	Test/Setup	Note
1	DC Offset Adjustment	DC 0V ±10mV	TYPE A	PAUSE	Main P.C. Board TP13(R) TP14(L)	VR629(R) VR609(L)	Figure 55	



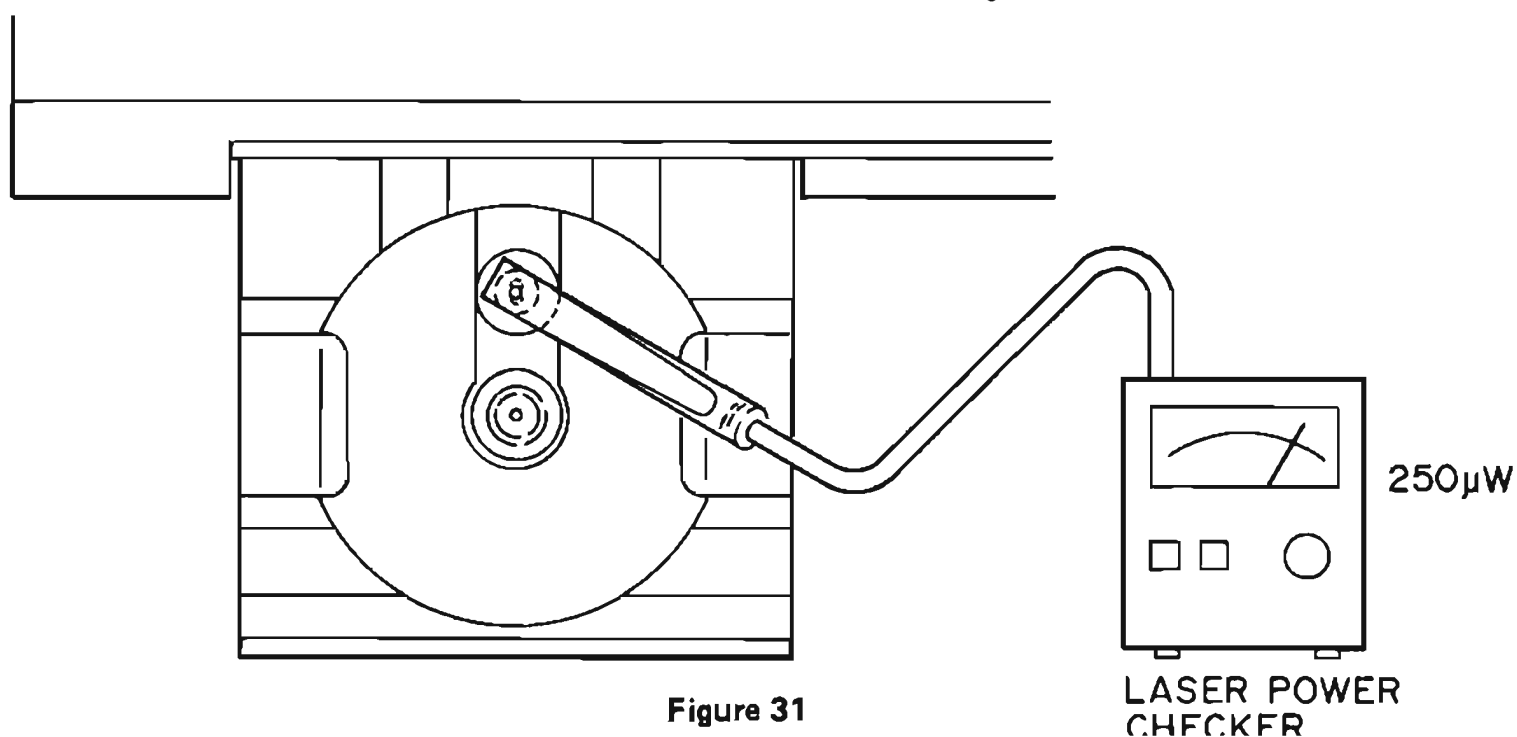
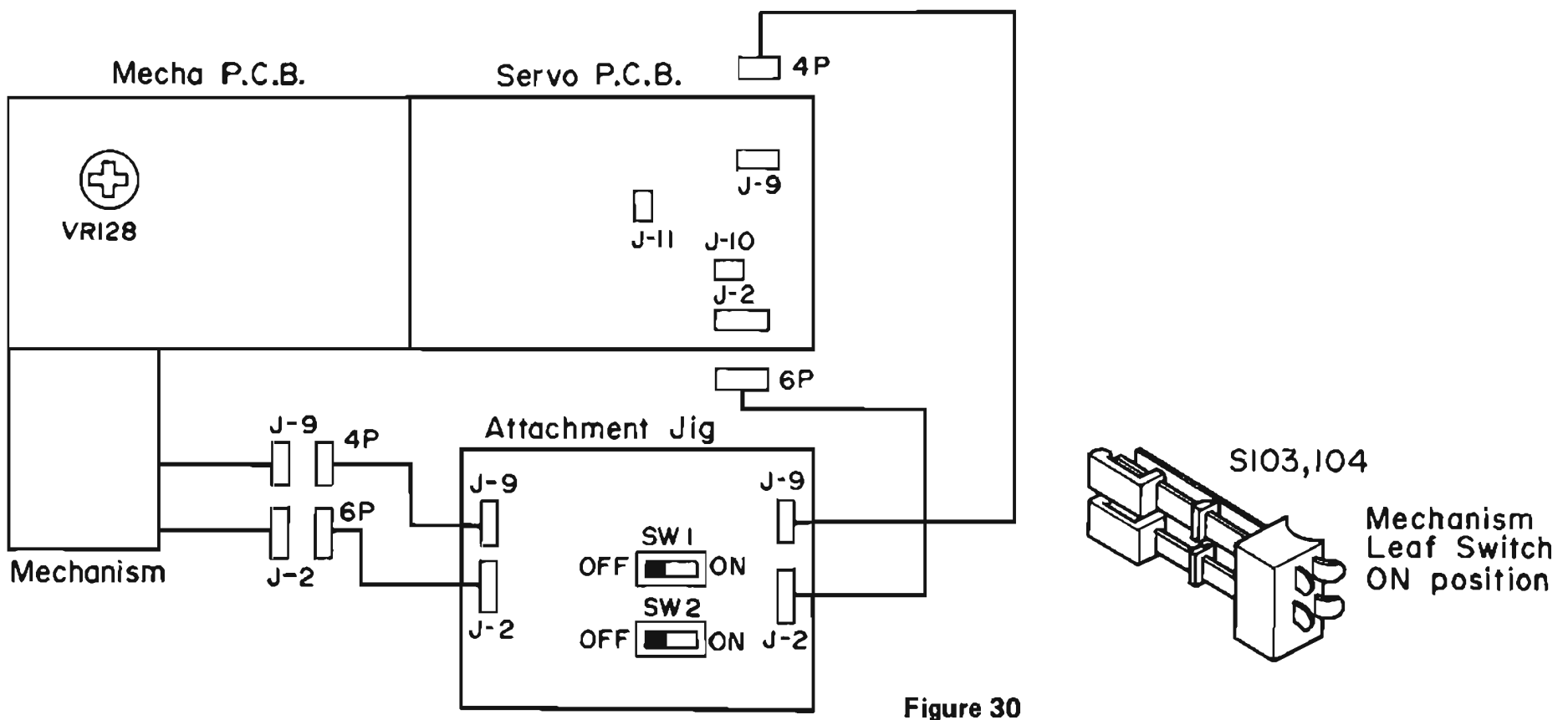
## LASER POWER ADJUSTMENT

The laser diode and its S/N will be deteriorated if the light power output of the laser diode has been not adjusted within the specified limit of  $(250\mu\text{W} \pm 5\mu\text{W})$ . Accordingly, the light power output adjustment must always be made when the pick-up was replaced.

The height and angle adjustments for the pick-up can be made easily during replacement of the pick-up as long as the hex-adjustment screws (A), (B), & (C) are not rotated.

### Adjustment Procedure

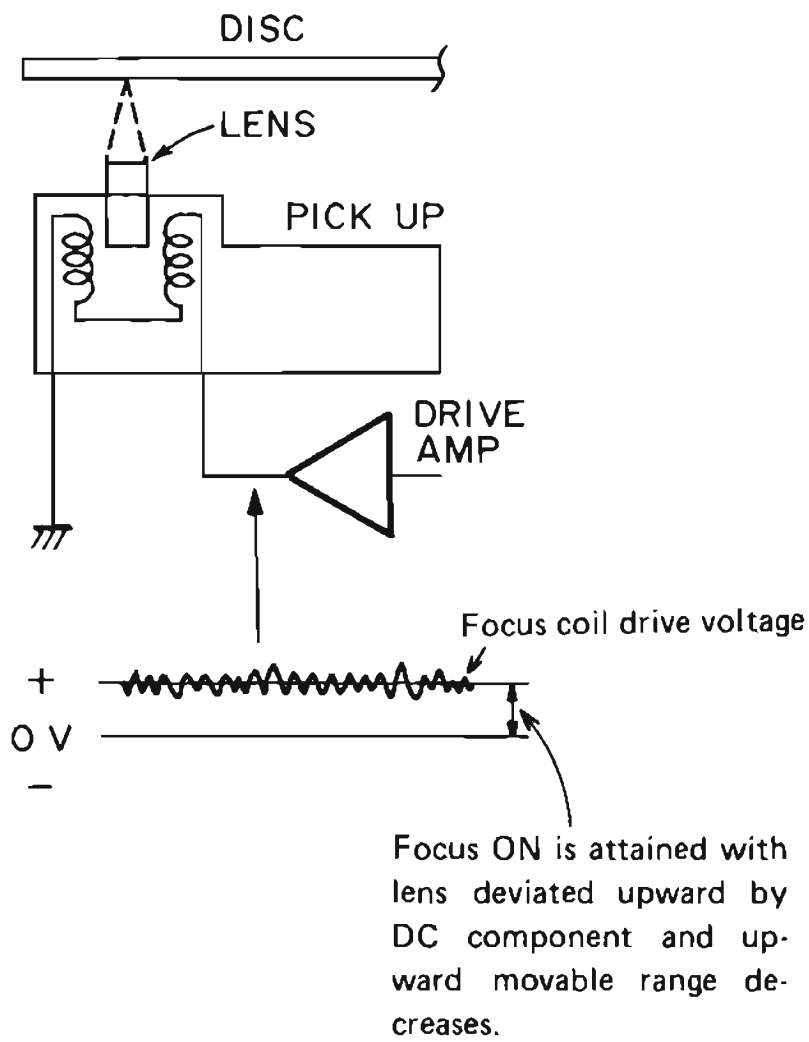
1. Turn power of unit OFF.  
Disconnect connector J-9 on servo P.C. Board.
2. Connect connector J-9 on attachment to J-9 on servo P.C. Board. Set SW1 on attachment to OFF and SW2 to OFF. Connect connector J-9 disconnected to J-9 terminal on attachment.
3. Disconnect J-2 of servo P.C. Board, connect J-2 on attachment to J-2 on servo P.C. Board, and connect connector J-2 terminal disconnected to J-2 on attachment.
4. Set 2-gang leaf switches S103 and S104 of mechanism assembly to ON.
5. Disconnect 2P connector J-10 (tray motor) and J-11 (feed motor) on servo P.C. Board.
6. Open tray by pulling it strongly with your hand (by exerting force of approx. 2.8kg).
7. Turn VR128 10K ohm semi-fixed resistor clockwise fully. (Power MIN)
8. Set power supply switch to ON.  
Apply laser power meter sensor to laser pick-up lens and slowly turn VR128 of mechanism P.C. Board counterclockwise so that the laser power meter indicates  $250\mu\text{W} \pm 5\mu\text{W}$ .





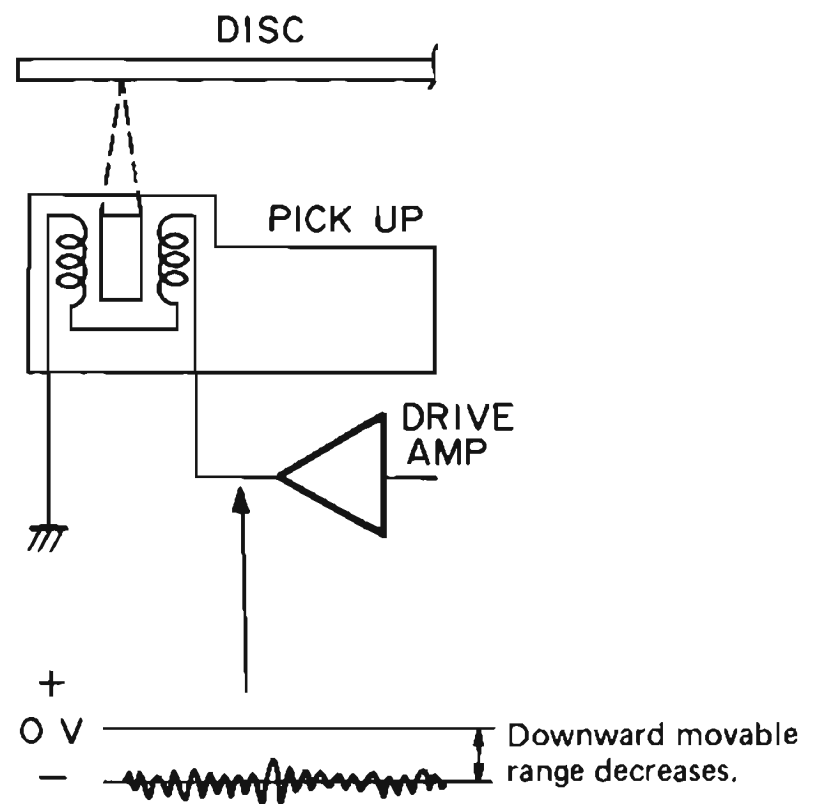
**PICK-UP HEIGHT ADJUSTMENT**

Pick-up's movable range in focus direction can be maximized by adjusting the DC voltage (offset voltage) applied to focus coil to 0V when the focus servo is actuated.

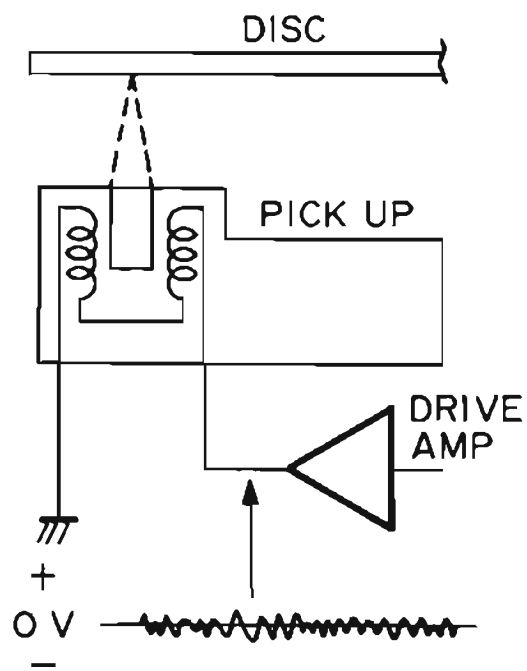


Pick-up height is low.

Figure 32



Pick-up height is high.



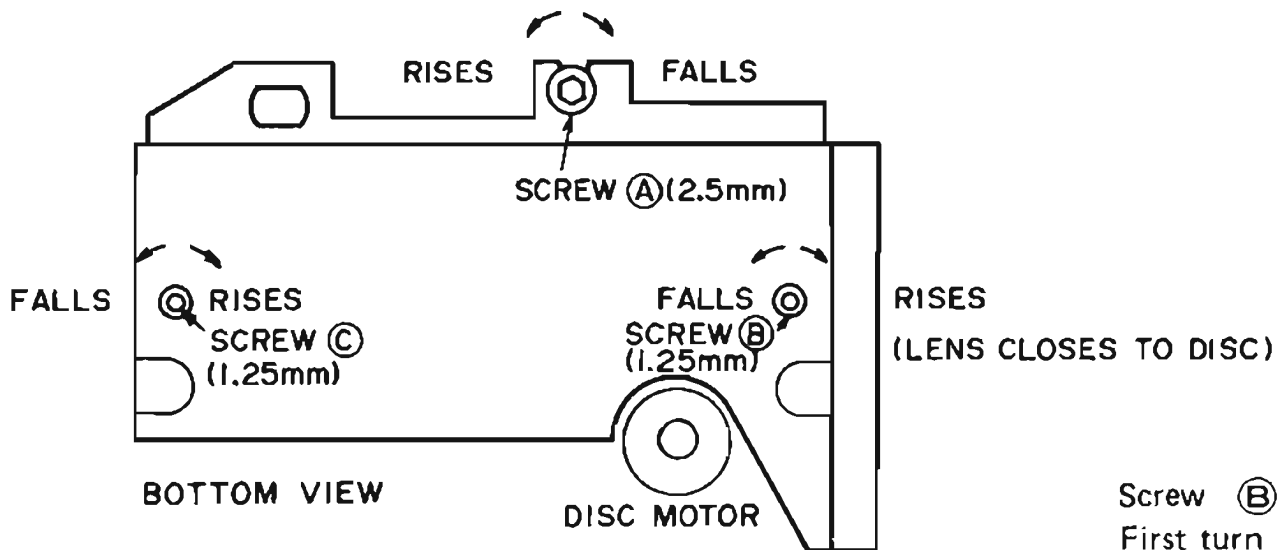
Pick-up height can be adjusted by moving pick-up up or downward direction while observing focus coil drive voltage.

Figure 33

Pick-up height is suitable.

**Adjustment Procedure**

1. Turn power of unit OFF.
2. Connect connector J-9 on attachment to J-9 on servo P.C. Board. Set attachment switches SW1 and SW2 to ON. Connect connector J-9 disconnected to J-9 terminal on attachment.
3. Disconnect J-2 on servo P.C. Board, connect J-2 on attachment to J-2 on servo P.C. Board, and connect connector J-2 terminal disconnected to J-2 on attachment.
4. Set 2-gang leaf switches S103 (close switch) and S104 (power supply for laser diode) of mechanism assembly to ON.
5. Disconnect 2P connector J-10 (tray motor) on servo P.C. Board.
6. Disconnect 4P connector J-3 (SIGNAL) on servo P.C. Board.
7. Connect circuit tester (Ohm meter) to pin 15 and 16 of IC101, TA7731P on mechanism P.C. Board and adjust VR104 22K ohm semi-fixed resistor so that the tester indicates 10K ohm  $\pm 0.5K$  ohm. (Focus balance coarse adjustment) After the coarse adjustment connect 4P connector J-3 to J-3 on servo P.C. Board.
8. Turn VR117 10K ohm semi-fixed resistor counterclockwise (↺) fully.
9. Open tray.
10. Put TEST DISK YEDS-7 (TYPE 3) on DISC motor and hold it with clamber. (The clamber of mechanism assembly will be removed by removing only one screw.)
11. Connect oscilloscope to test point TP. A (focus coil) terminal on the attachment. (DC range 0.1V/DIV.)
12. Turn power of unit on and set unit to PLAY mode.
13. Disconnect 2P connector J-11 (Feed motor) on servo P.C. Board.
14. Adjust pick-up adjusting hex screw with a hex wrench so that display on the scope deflects up and down with center or 0V while observing the scope display.



**Figure 34**

Screw (B) affects direction of height most. First turn (B), then (A) & (C) by amount equivalent to rotation of (B).

15. Keep power of unit ON for angle adjustment to be proceeded in the next item.

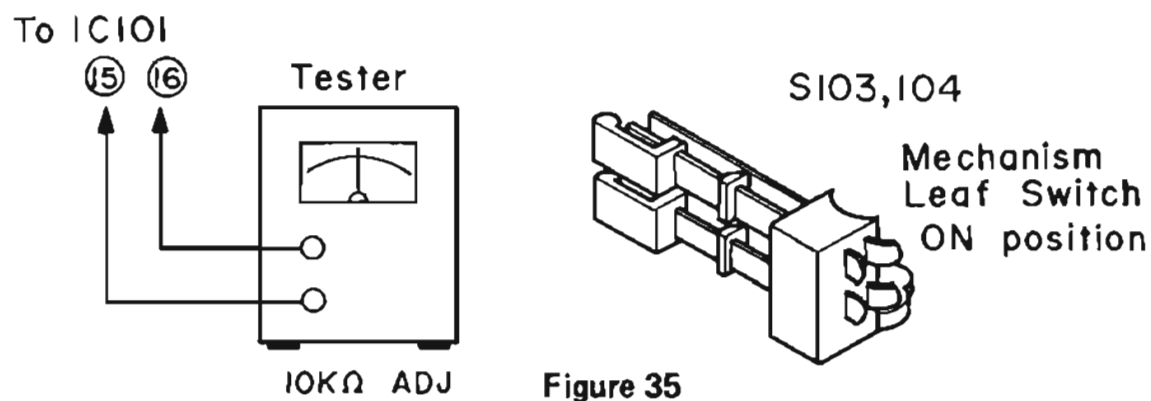
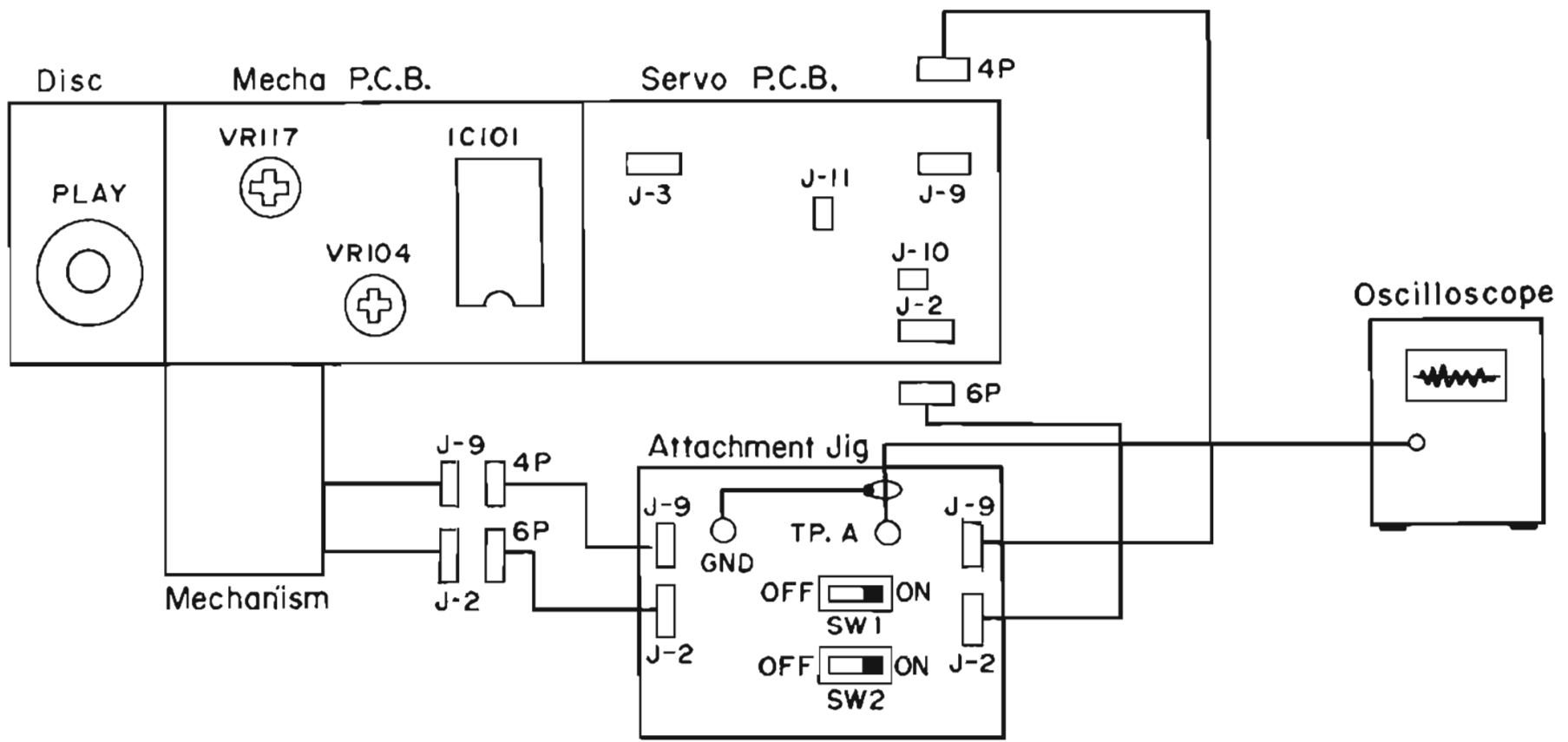


Figure 35

### PICK-UP ANGLE ADJUSTMENT

Angle deviation of the pick-up can be divided into tangential direction and radial direction.

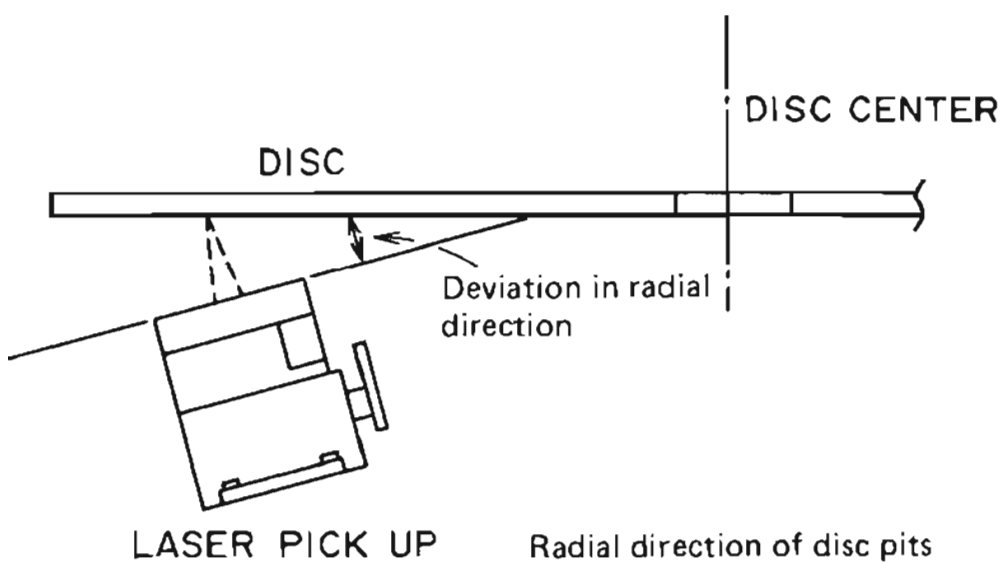


Figure 36

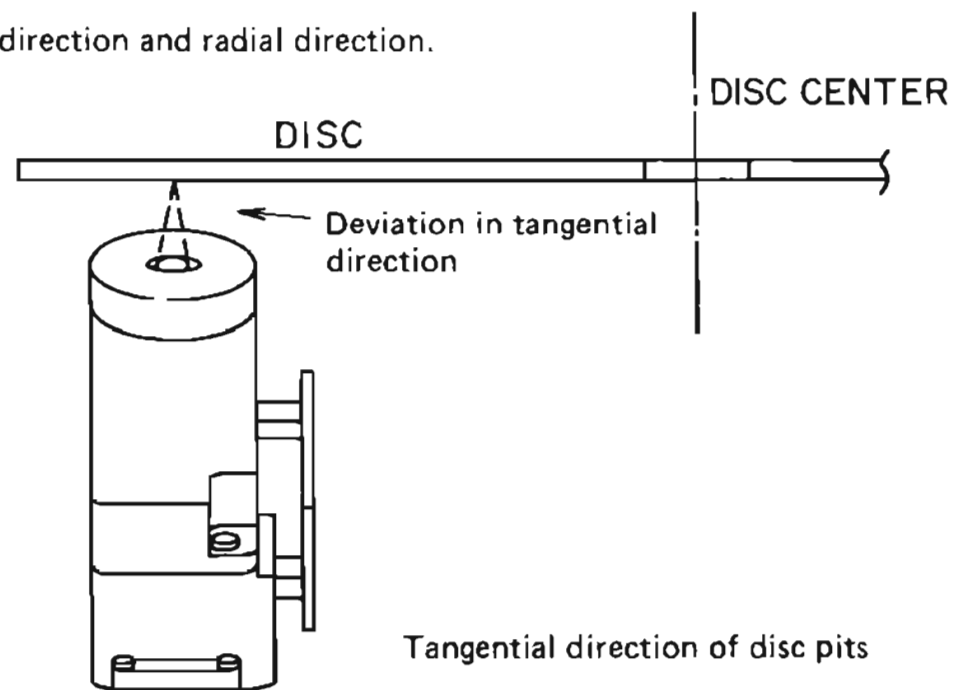


Figure 37

Since the angle deviation in both direction prevents a laser beam to fall at a right angle to a disc pit, random light reflection, etc. will be caused and normal reflection light cannot be obtained. Thus, angle adjustments for both tangential and radial directions will be needed. In this unit, outputs from the 4-division photo diodes are utilized to make adjustment for the optimum angle.

The angle deviation, scratches, dust, etc. give considerable affection on anti-vibration performance, so sufficient care should be given in the adjustments. After completion of the adjustments, the adjusting screws must be mechanically fixed securely, by using such as screw lock, etc.

### Adjustment Procedure (Tangential Direction)

Keep unit under the same condition as for pick-up height adjustment just finished.

1. Set attachment switches SW1 to ON and SW2 to OFF. (Set tracking servo to OFF.)
2. Connect AC voltmeter between test point TE. B terminal on mechanism P.C. Board and ground. (Range 0.3V)
3. Connect oscilloscope to test point TE. B terminal on mechanism P.C. Board. Adjustment will be performed easily, if it is done while observing scope display.
4. Turn adjusting screws until AC voltmeter reads MAX output. (Adjusting screw © is the most critical for tangential direction adjustment.)

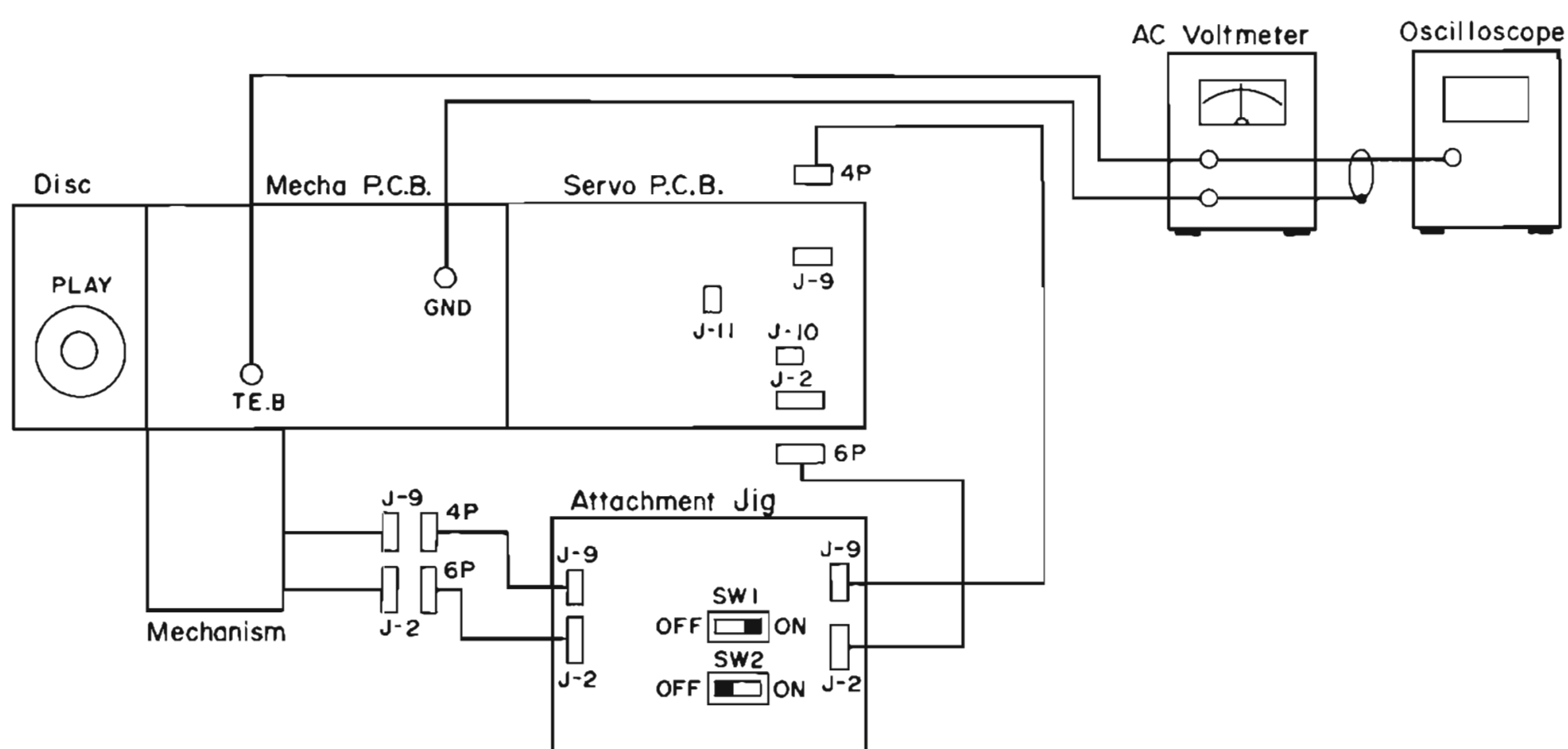


Figure 38

### Adjustment Procedure (Radial Direction)

1. Turn adjusting screws so that AC voltmeter indicates a peak in the same way as for the tangential direction adjustment. (Adjusting screw Ⓐ is the most critical for radial direction adjustment.)  
Since angle adjustment may upset the pick-up height adjustment, always recheck pick-up height after the angle adjustment. And if the height adjustment is performed again, recheck angle adjustment again.  
Namely, repeat height adjustment and angle adjustment 2 – 3 times, thus fine adjustment will be accomplished.  
Keep the unit under the same condition for next DC balance adjustment.

### TRACKING ERROR DC BALANCE ADJUSTMENT

If the angle adjustment has been completed, photo diode outputs may develop different output due to parameter variations of 4-division photo diodes, and optional system, etc. Accordingly, DC balance adjustment will be made in considering offset values of the head amplifiers IC101 (TA7731P) and IC103 (TA75902P).

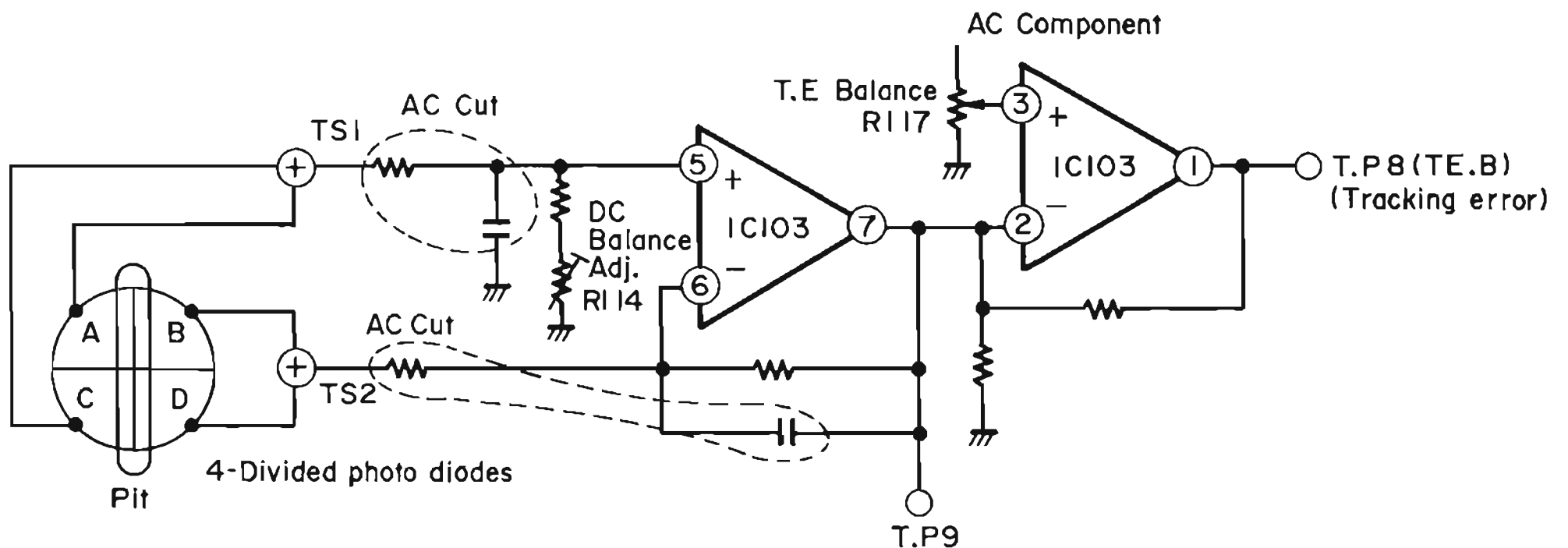


Figure 39

Difference of DC components will be developed at test point TE. B terminal on mechanism P.C. Board by adjusting tracking error balance to minimum (or by making input pin ③ of IC103 to GND level).

Adjusting DC balance adjusting resistor VR114 on mechanism P.C. Board develops tracking error signal without offset at TE. B terminal on mechanism P.C. Board.

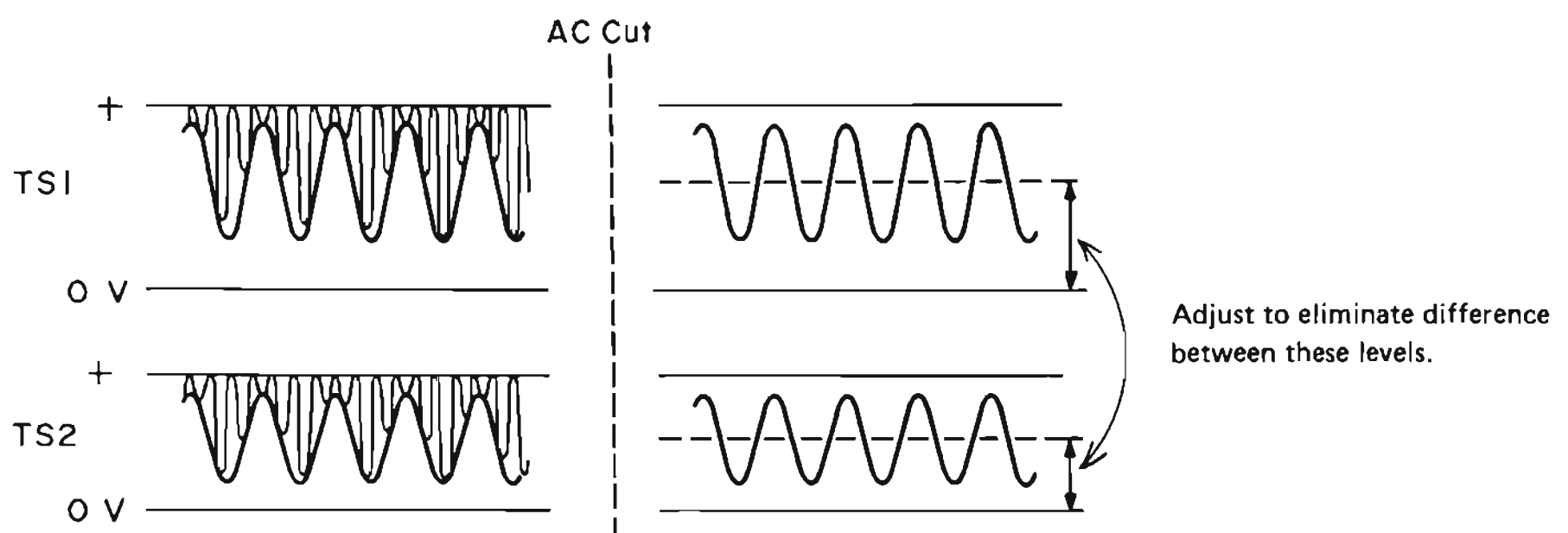


Figure 40

With DC balance adjustment upset tracking coil is always being biased by the DC voltage and this may cause difference in moving distance in horizontal direction. This also prevents normal reflection light beam from falling at 4-division photo diodes.

**Adjustment Procedure**

Keep unit under the same condition as for pick-up angle adjustment just finished.

1. Turn VR117 10K ohm semi-fixed resistor on mechanism P.C. Board clockwise fully. (MIN)
2. Connect oscilloscope to TE. B terminal on mechanism P.C. Board. (DC range 0.1V/DIV.)
3. While observing scope display, adjust semi-fixed resistor VR114, 47K ohm on mechanism P.C. Board so that tracking error waveform deflects around 0V center.

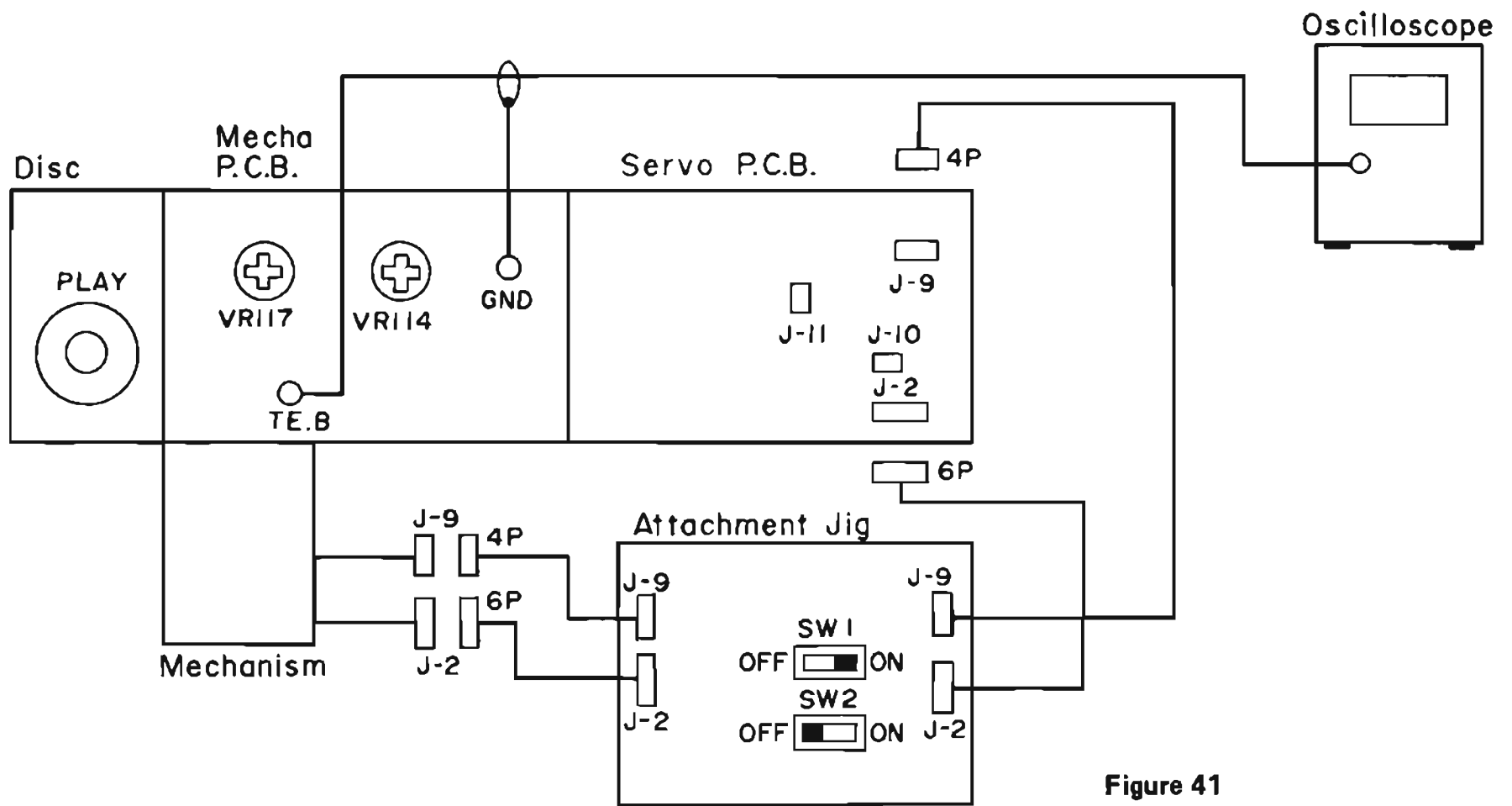


Figure 41

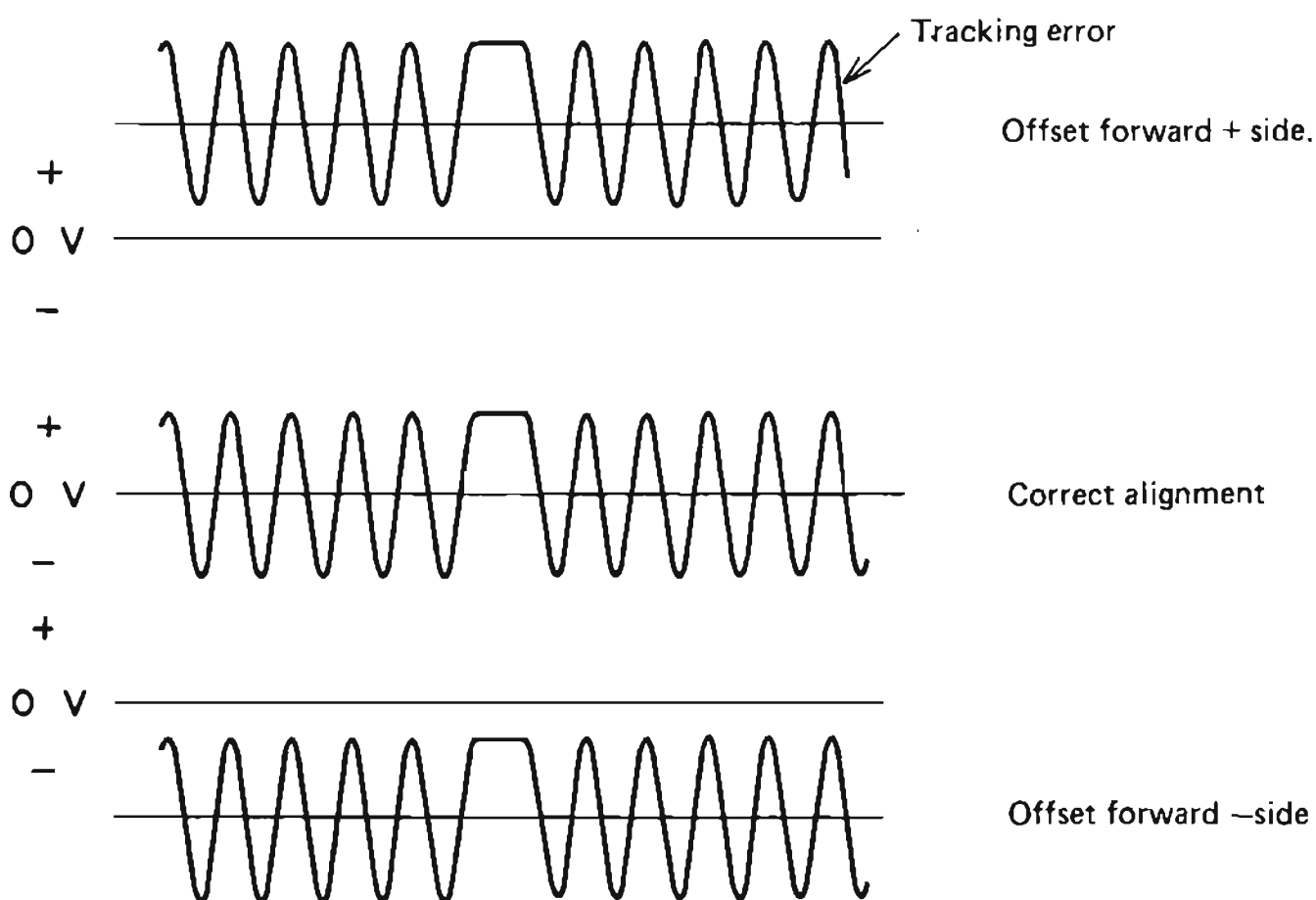


Figure 42

4. Keep unit under the same condition as above to proceed tracking error balance adjustment next.

### TRACKING ERROR BALANCE ADJUSTMENT, AC BALANCE ADJUSTMENT

If pick-up lens is forced to move in searching operation, relative geographical deviation against 4-division photo diodes will be caused and this develops offset voltage in the tracking error signal.

The offset voltage offset operation of the tracking coil, thus making searching operation to a desired track be difficult.

Tracking error balance adjustment is to prevent this offset voltage from developing in tracking error signal even if the tracking coil is moved forcibly.

This adjustment is performed by forcibly moving the pick-up lens with 1.0V DC applied to tracking coil. DC component and AC component (peak) of the photo diodes developed when lens is moved are utilized in this adjustment.

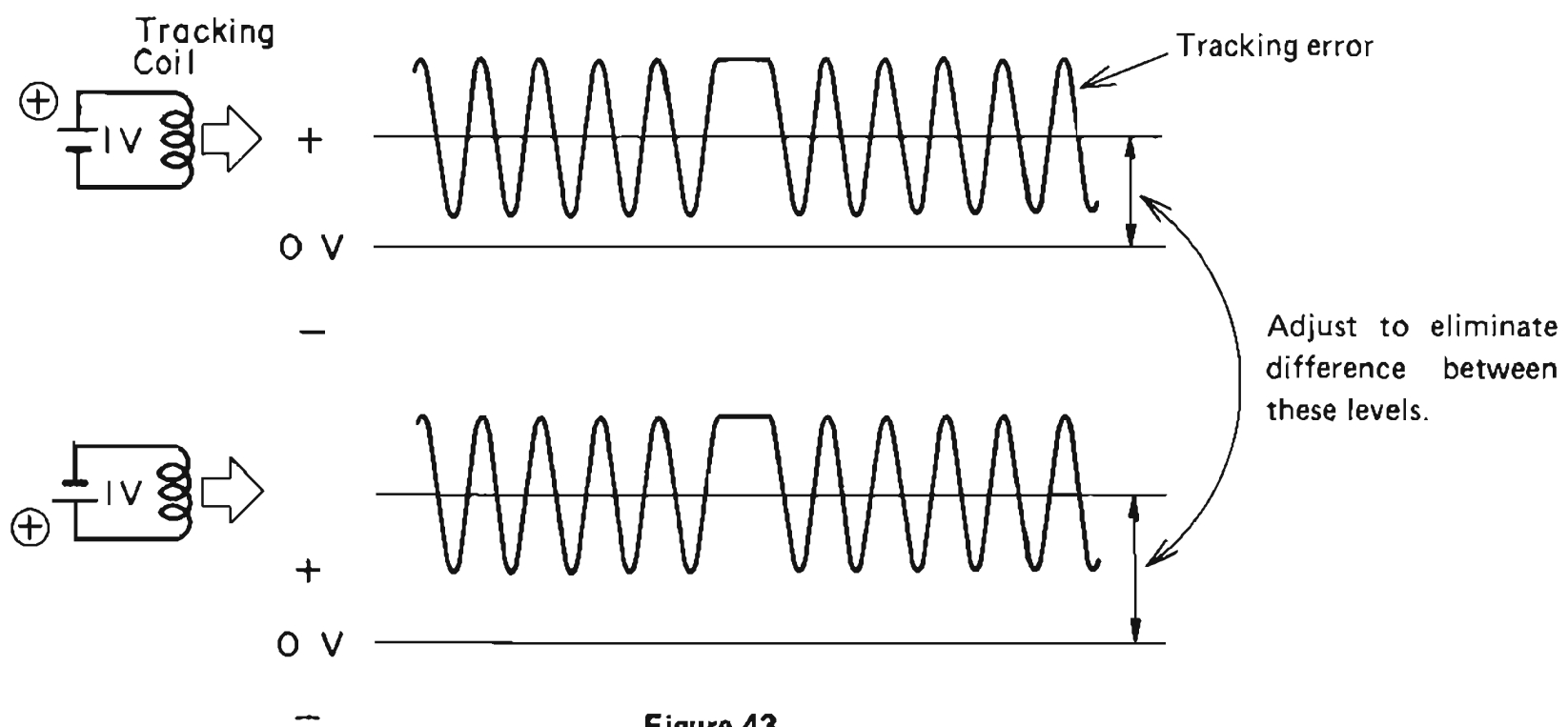


Figure 43

Adjust so that DC offset levels become a same level as shown above. To eliminate DC offsets perform AC balance adjustment.

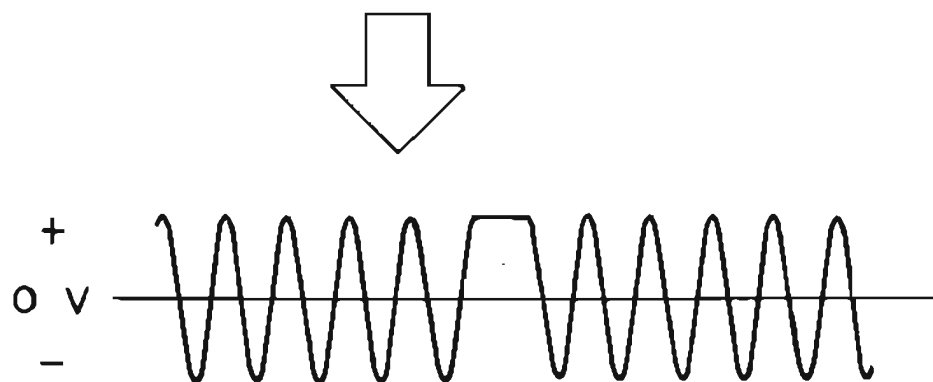


Figure 44

**Adjustment Procedure**

Keep unit under condition just finished tracking error DC balance adjustment.

Use voltage regulator power supply jig.

1. Apply +1.0V voltage from TP. B terminal of the power supply jig to the test point of attachment, and connect TP. C terminal to GND.
2. Connect oscilloscope to test point TE. B terminal on mechanism P.C. Board. (DC range 0.2V/DIV.)
3. Observe scope display and note DC offset value.
4. Apply +1V voltage from TP. C terminal of the power supply jig to test point of attachment, and connect TP. B terminal to GND. (Reversed in step 1 above.)
5. Observe scope display and adjust semi-fixed resistor VR117, 10K ohm until the same offset value as that obtained in step 3 is obtained.
6. Repeat steps 1 and 4 and make sure there is no offset difference.
7. Adjust semi-fixed resistor VR122, 47K ohm on mechanism P.C. Board so that the tracking waveform should swing at the center of 0V.
8. Remove +1.0V from voltage regulator power supply jig.

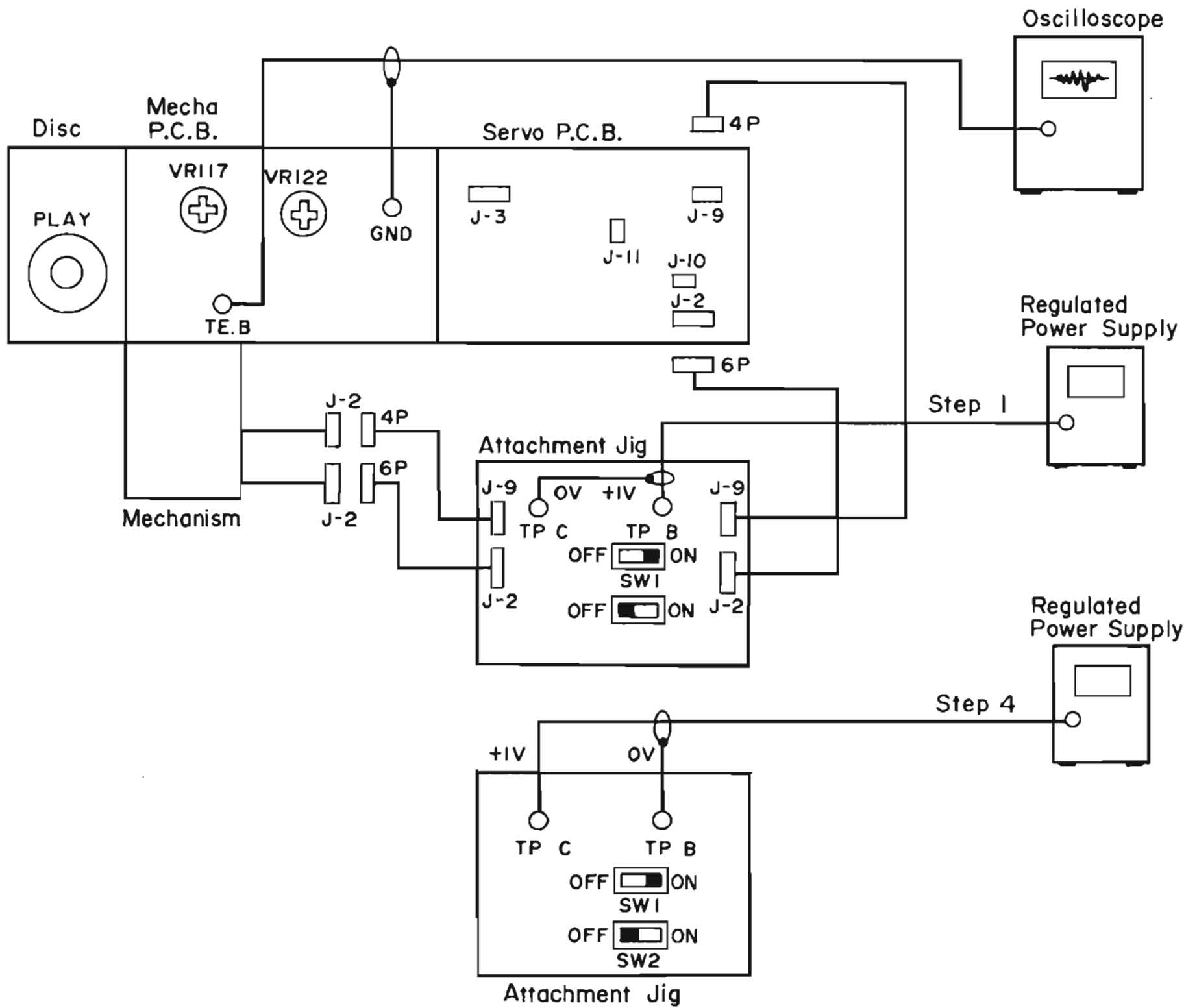


Figure 45

9. Keep unit under the same condition. (Power supply of unit may be turned OFF.)



## FOCUS BALANCE ADJUSTMENT

Next, proceed focus direction adjustment.

In the step 7 of pick-up height adjustment, resistance between pins ⑮ and ⑯ of IC101 (TA7731P) has been adjusted to 10K ohm  $\pm$ 0.5K ohm.

This adjustment stands for that coarse adjustment for focus direction has been made indirectly. However, with this coarse adjustment, deviation in IC101, addition amplifier, cannot be cancelled.

The purpose of the focus balance adjustment is to focus a beam completely by precisely adjusting critical deviation in focus direction.

Try to upset the focus balance while observing R.F signal (eye pattern), and the R.F signal will be disturbed, thus you can see condition of out of focus.

However correct adjustment point may be different, depending upon person making the adjustment, as long as the adjustment is performed by observing the scope display.

To prevent this, only the coarse adjustment is performed by observing the waveform, and the fine adjustment is carried out by first converting R.F. signal into EFM signal and then by adjusting jitter amount of 3T components for minimum.

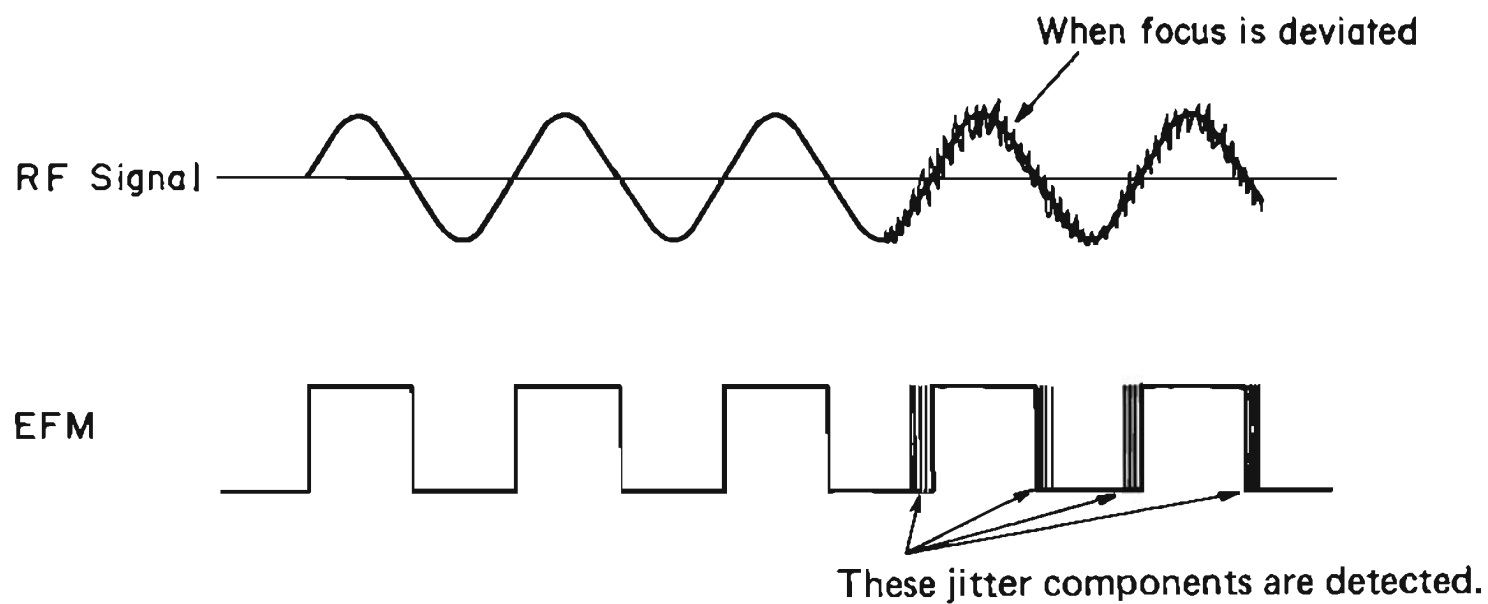


Figure 46

The jitter detector is incorporated in jig of PU-ALIGNMENT-70.

**Adjustment Procedure**

Keep unit under the same condition as for tracking error balance adjustment and AC balance adjustment just performed above.

1. Set attachment switches SW1 and SW2 to ON.
2. Connect 2P connector J-11 (Feed motor) on servo P.C. Board.
3. Connect JITTER IN on the rear of PU-ALIGNMENT-70 to IC317 (TC40H004P) pin ⑥ (or to EFM2 on flat package P.C. Board).
4. Turn power of PU-ALIGNMENT-70 ON and set unit to PLAY. Play Track No. 1 (YEDS-7)
5. Connect oscilloscope to test point TP12 (RF signal) terminal on main P.C. Board (lower P.C. Board). (AC range 0.1V/DIV, 0.5 $\mu$ Sec/DIV.)
6. Adjust VR104, 22K ohm semi-fixed resistor by turning it so that the clearest waveform is obtained.
7. Adjust VR104 slightly so that JITTER meter of PU-ALIGNMENT-70 indicates minimum reading.

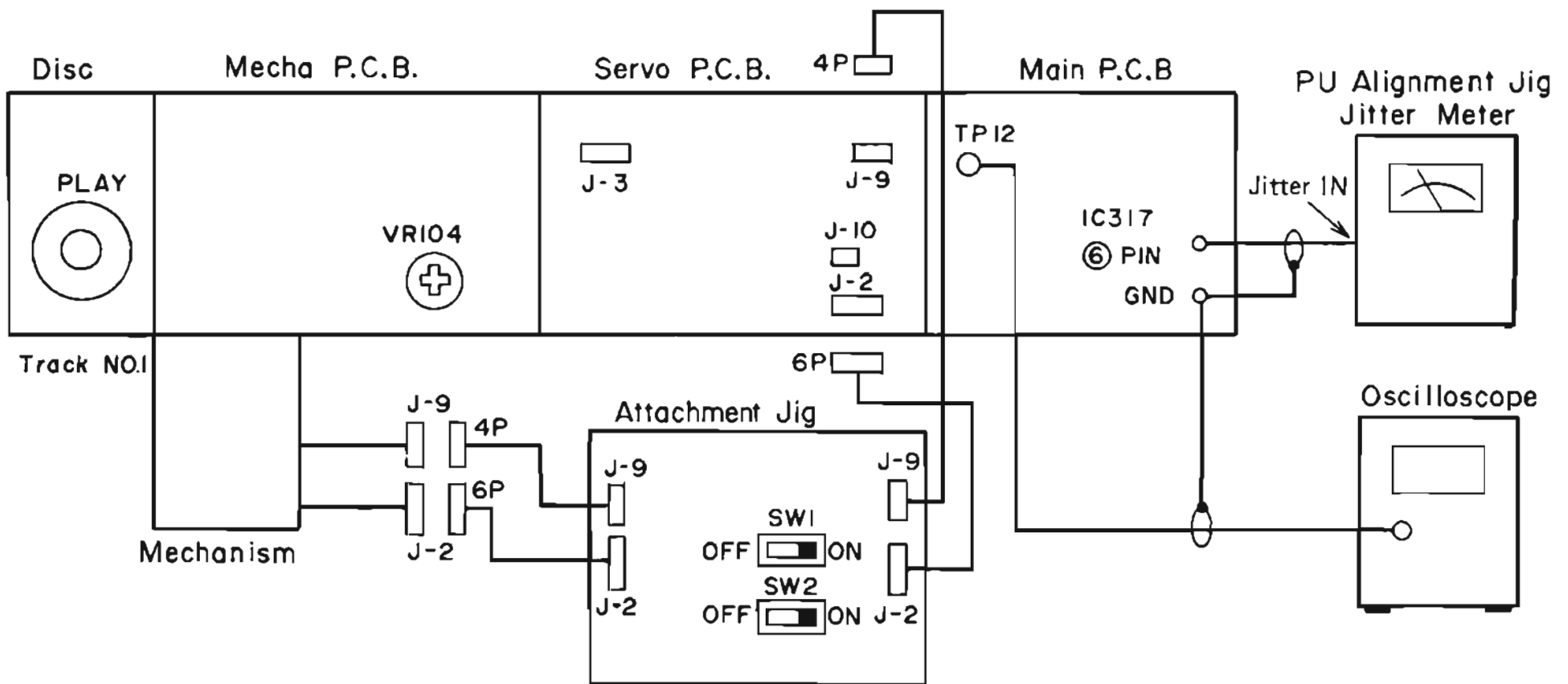


Figure 47

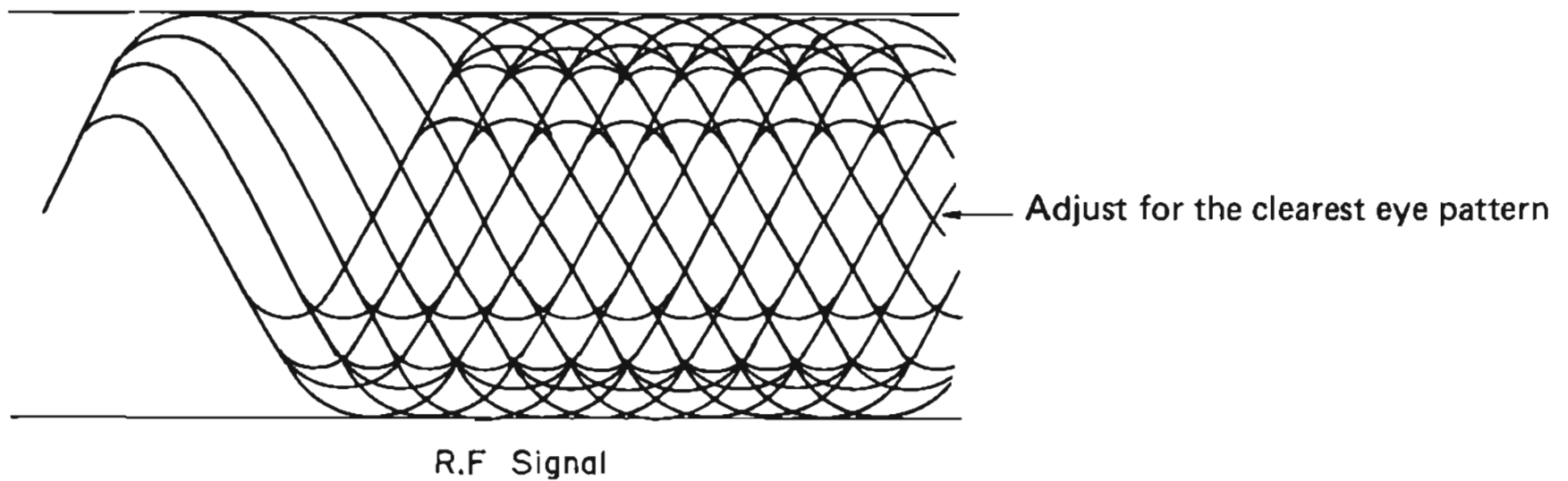


Figure 48

8. After adjustment is completed, set unit to original condition. (Connect all connectors normally.) Turn power of unit OFF.

**FOCUS SERVO GAIN AND TRACKING SERVO GAIN ADJUSTMENTS**

Servo gain adjustment is performed to suppress undesirable deflections of lens due to external disturbances. Included in the external disturbances are scratches on disc surface, dusts, vibration, shock, etc. If the gain adjustment has been not made properly, the performance becomes critical against the external disturbances such as scratches and vibration. The gain adjustments are carried out with 1 kHz for focus servo system and 1.5 kHz for tracking servo system.

The characteristics are as follows:

Focus system

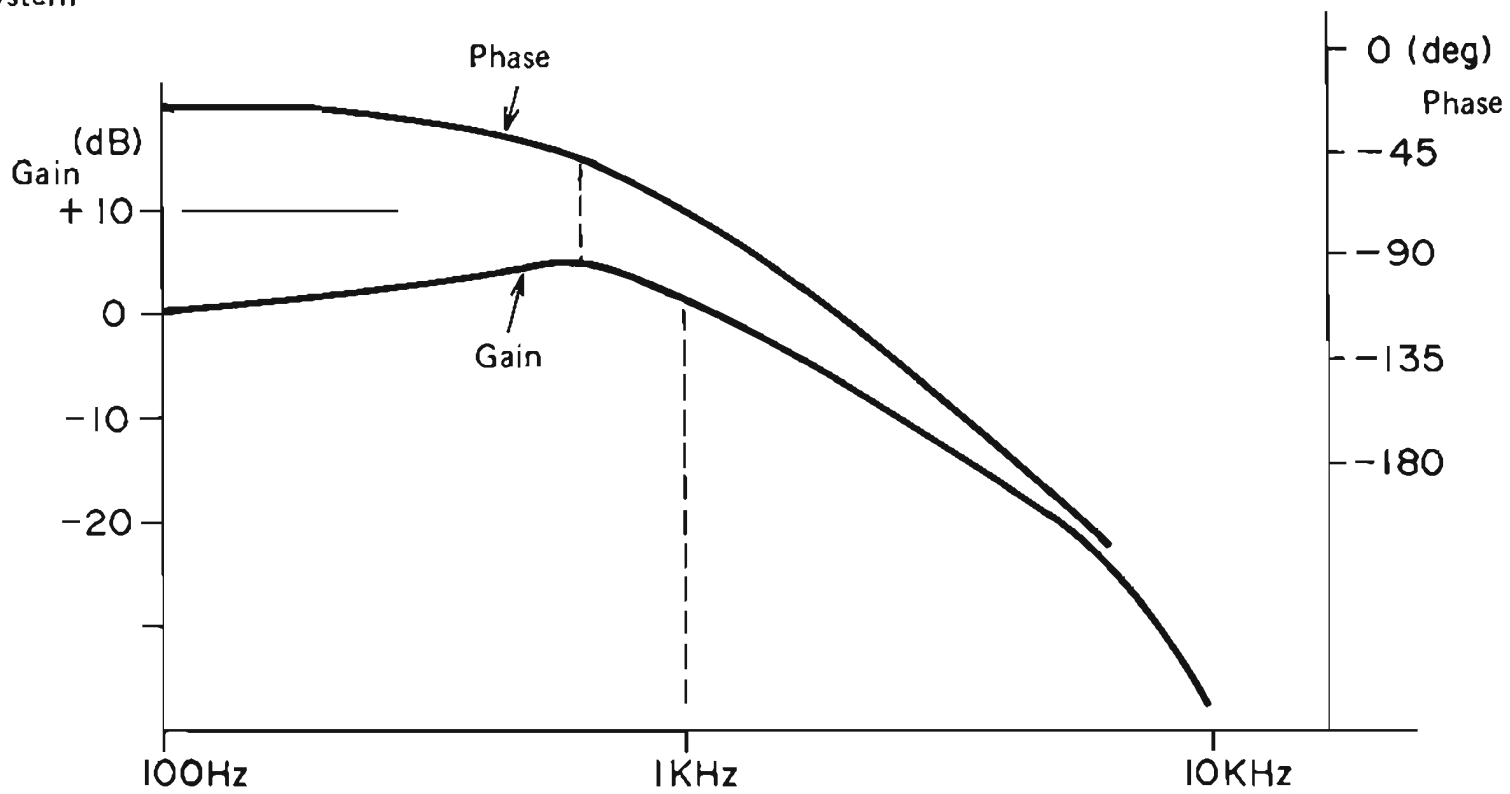


Figure 49

Tracking system

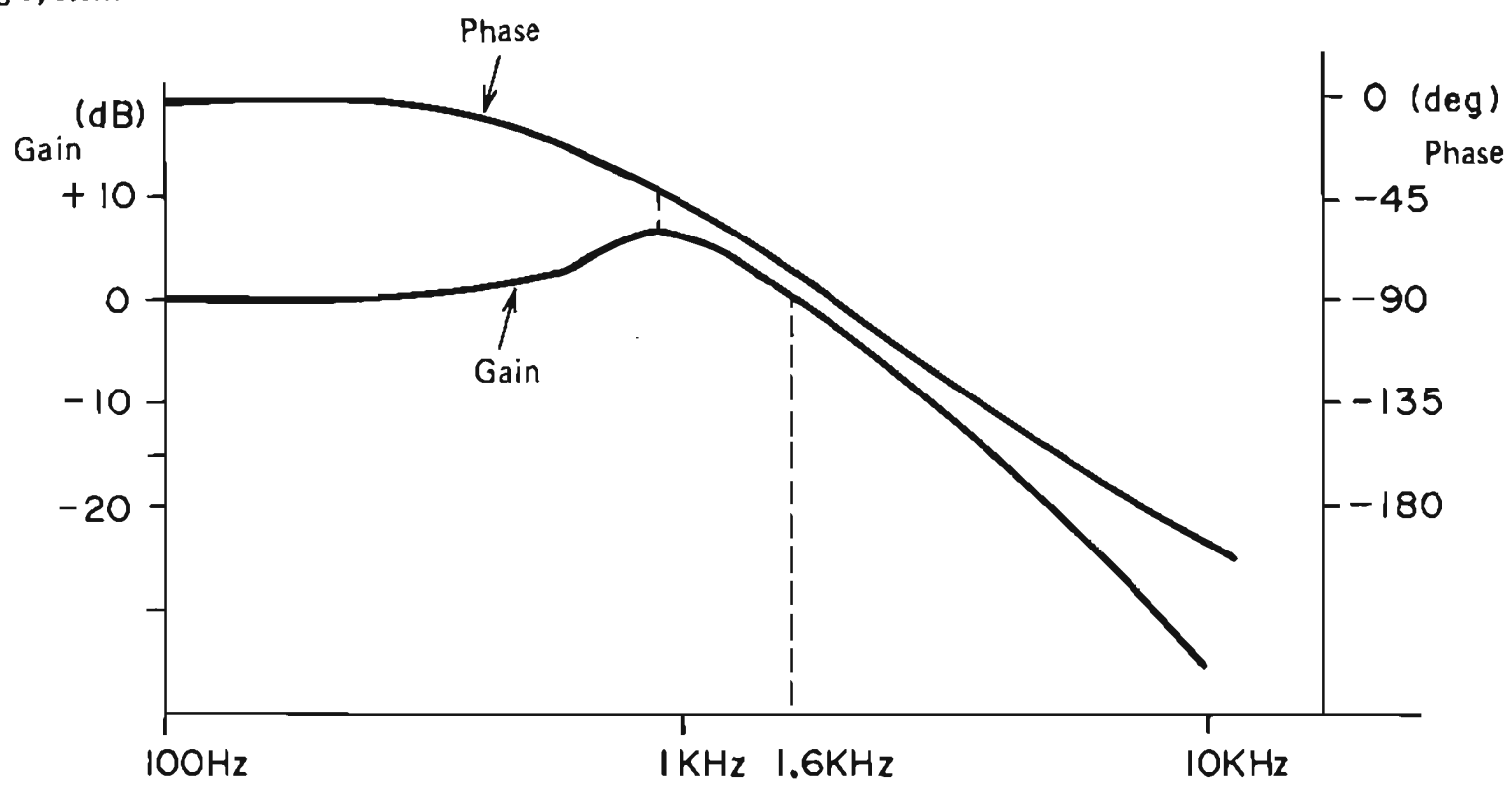
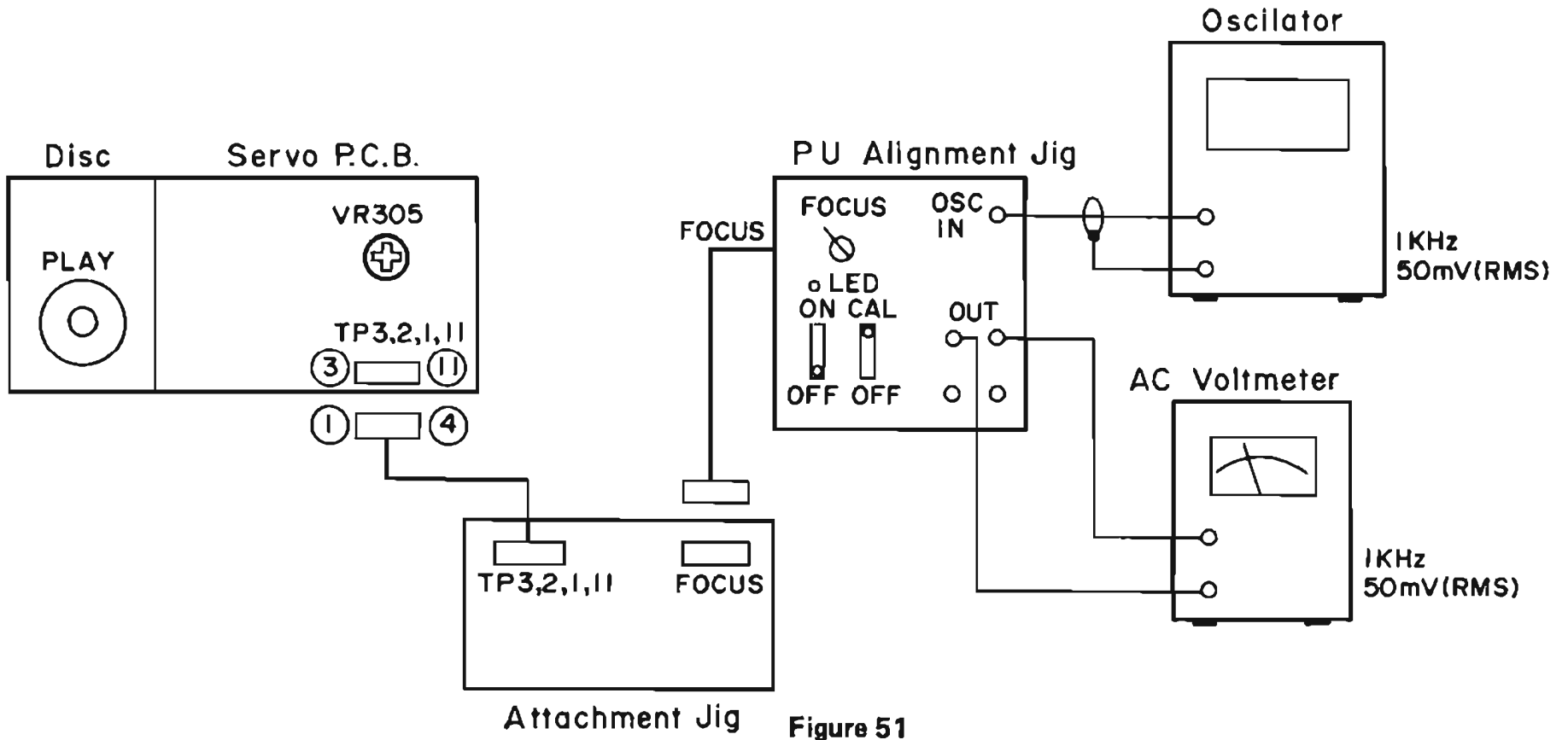


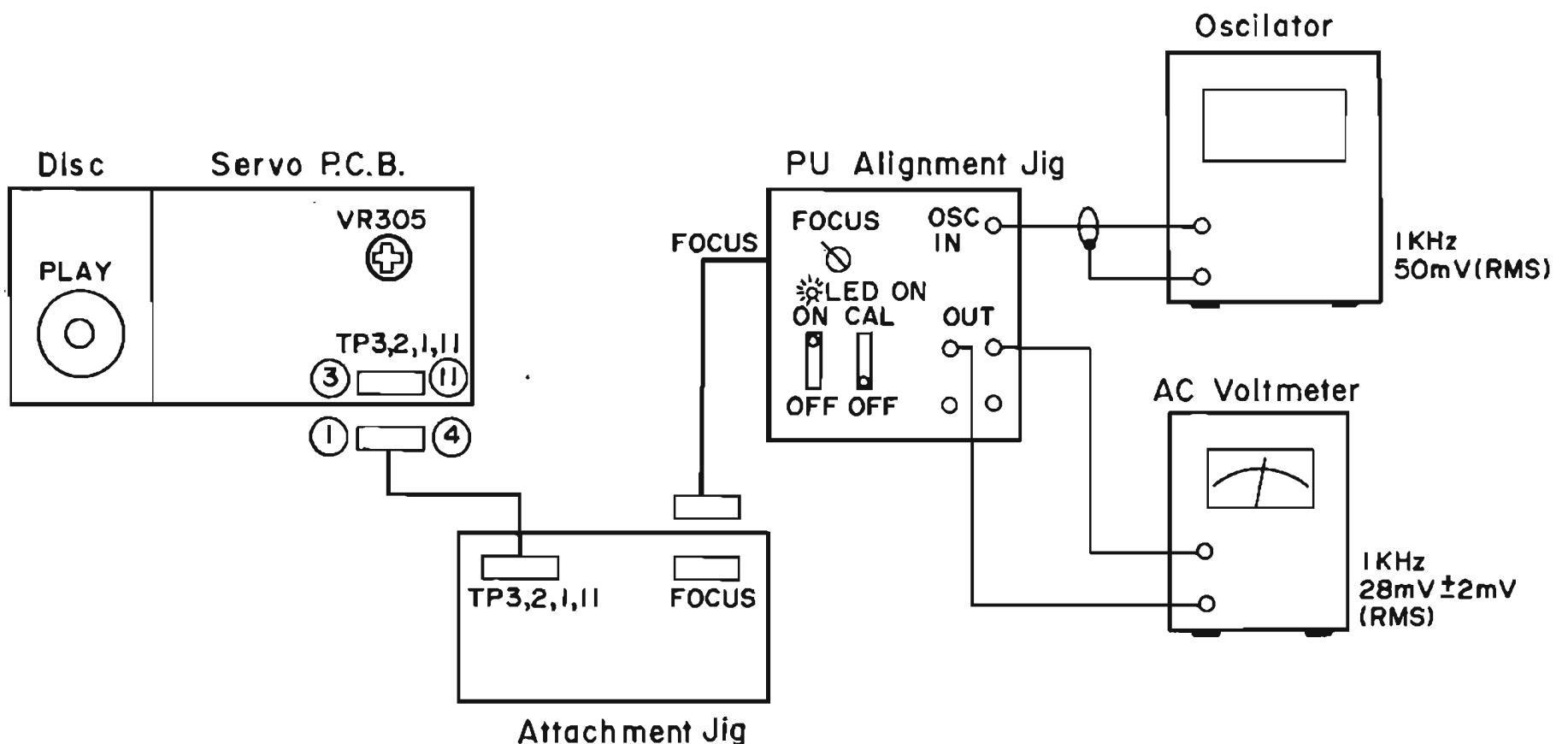
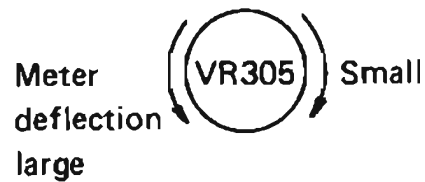
Figure 50

**Adjustment Procedure (Focus Gain)**

1. Turn power of unit to OFF.
2. Connect connector focus on attachment to FOCUS on the rear side of PU-ALIGNMENT-70. Connect focus connector on attachment to test point terminals TP ①①, ①, ②, and ③ on servo P.C. Board.
3. Connect oscillator (1 kHz 50mV (RMS)) to OSC IN on front panel of PU-ALIGNMENT-70.
4. Connect AC voltmeter between OUT and GND terminals on the front panel of PU-ALIGNMENT.
5. Set front panel switches of PU-ALIGNMENT as shown below.



6. Turn power of PU-ALIGNMENT-70 and unit ON and set unit to PLAY mode. (Play YEDS-7 TRACK No. 1.)
7. Adjust level of oscillator so that AC voltmeter indicates 50mV reading. (Vary frequency to find a frequency that gives maximum reading and the frequency.)
8. Set front panel switch of PU-ALIGNMENT as shown below.
9. Adjust VR305, 10K ohm semi-fixed resistor on servo P.C. Board so that AC voltmeter indicates  $28\text{mV} \pm 2\text{mV}$ .



10. Keep the above connection.

**Figure 52**

**Adjustment Procedure (Tracking Gain)**

1. Turn power of unit OFF.
2. Connect TRACKING on the rear side of PU-ALIGNMENT-70 to tracking terminal on attachment. Connect tracking connector on attachment to test point terminals TP. ⑩, ④, ⑤, and ⑥ on servo P.C. Board. (Keep FOCUS connected.)
3. Set switches on PU-ALIGNMENT front panel as shown below.

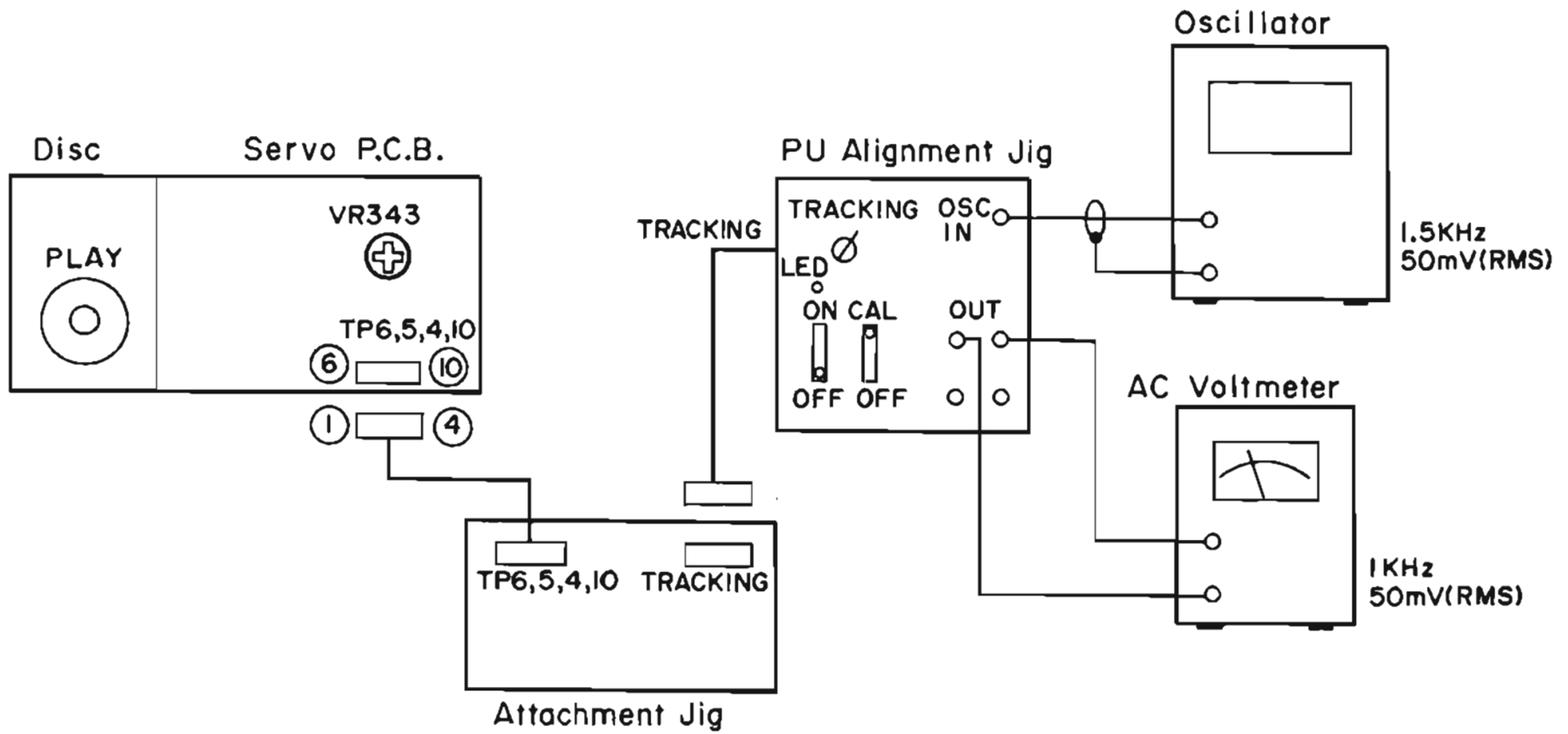



Figure 53

4. Set the unit to PLAY mode (and play both YEDS-7, TRACK No. 1).
5. Adjust oscillator output so that AC voltmeter indicates 50mV. (Vary 1.5 kHz frequency and use the frequency that gives a peak.)
6. Set switches on PU-ALIGNMENT front panel as shown below.
7. Adjust semi-fixed resistor VR343, 10K ohm until AC voltmeter indicates  $44mV \pm 4mV$ .

Meter deflection  Large  
small

Be careful because of rotational direction reversed against focus gain.

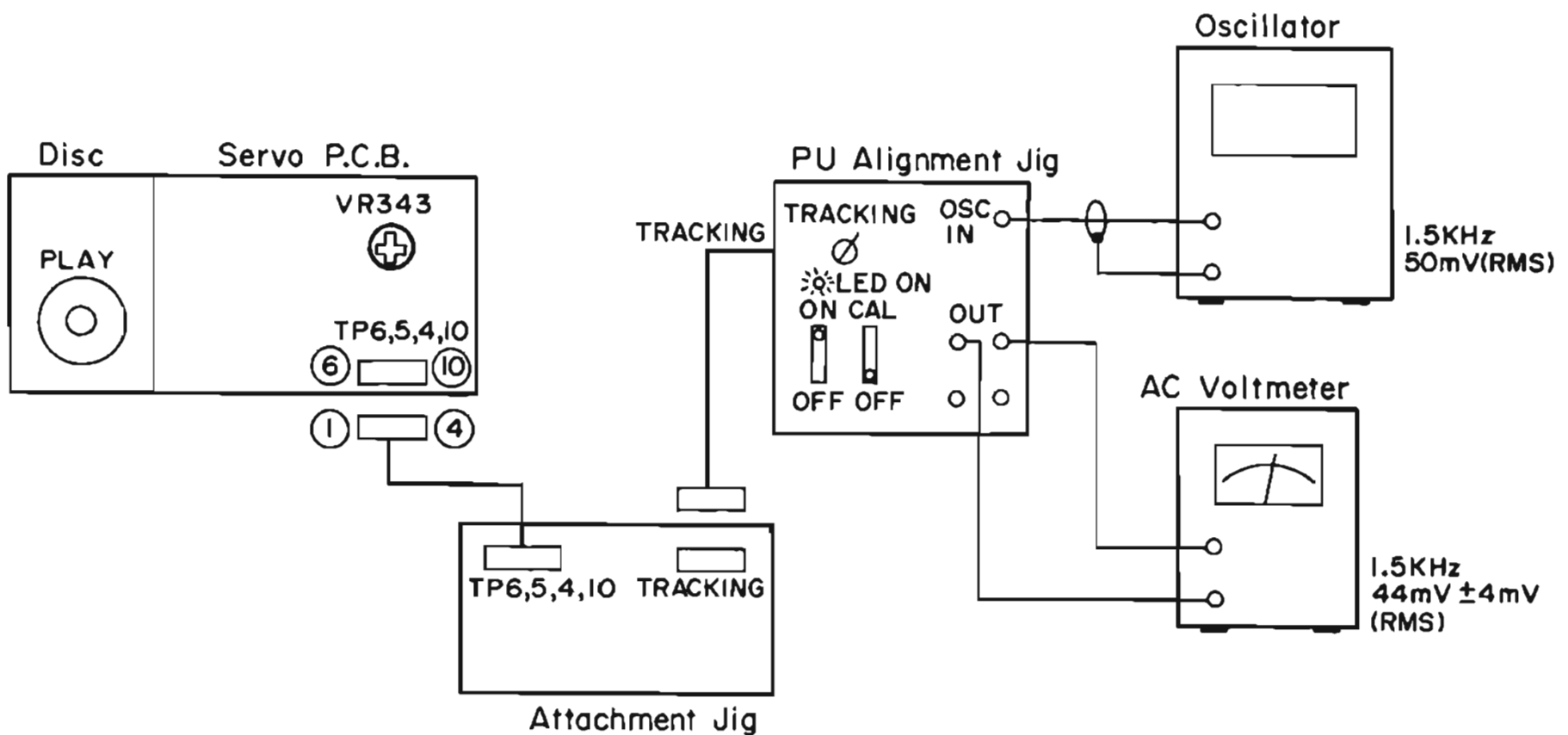


Figure 54

8. All adjustments, which should be made when pick-up was replaced, have been completed.

## ANALOG CIRCUIT ADJUSTMENT

### 1. DC offset adjustment

- 1) Load a test disc and set the unit to PAUSE mode.
- 2) Connect test point TP. 13 (R), and TP. 14 (L) to oscilloscope.
- 3) Adjust semi-fixed resistors VR629 (R) and VR609 (L) until  $0V \pm 10mV$  DC is obtained on scope display.

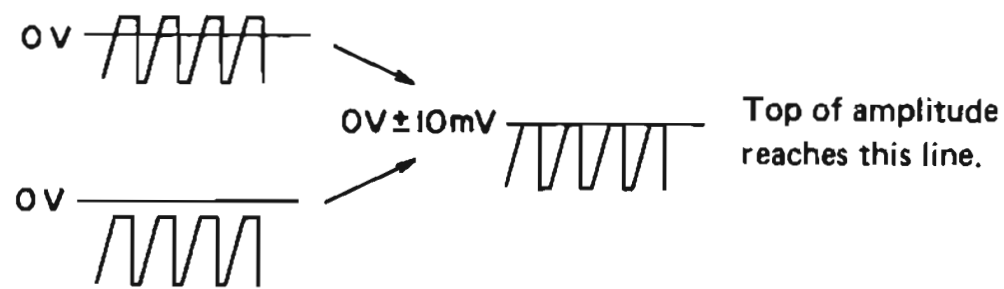
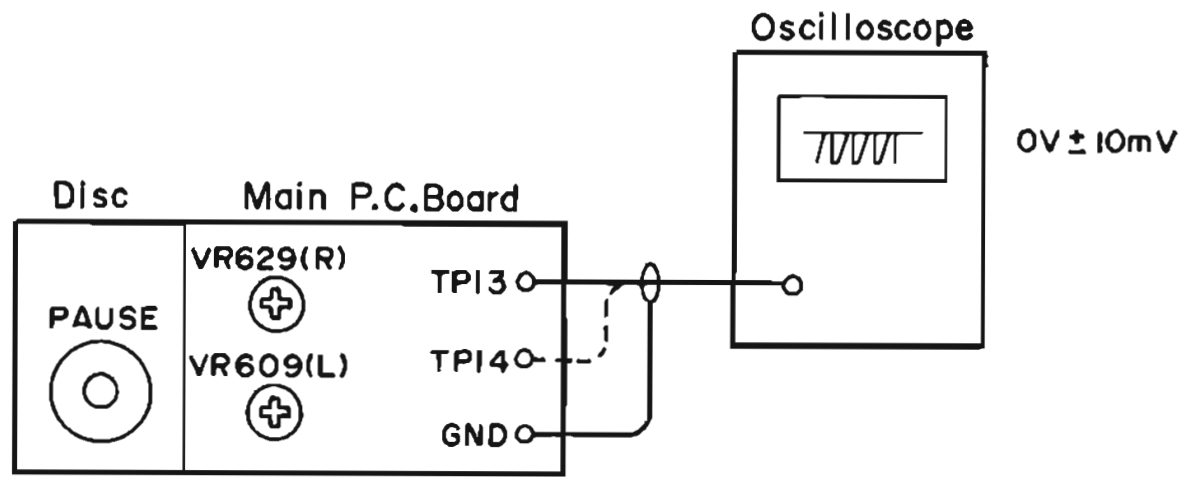


Figure 55

## 調整方法

## 測定治具

- |                 |               |                     |
|-----------------|---------------|---------------------|
| 1. レーザーパワーチェッカー | 4. テスター       | 7. テストディスクA (YEDS7) |
| 2. オシロスコープ      | 5. ACミリボルトメータ | 8. アタッチメント          |
| 3. PU調整治具       | 6. 定電圧源       | 9. クランパー            |

## ピックアップ交換時の調整手順

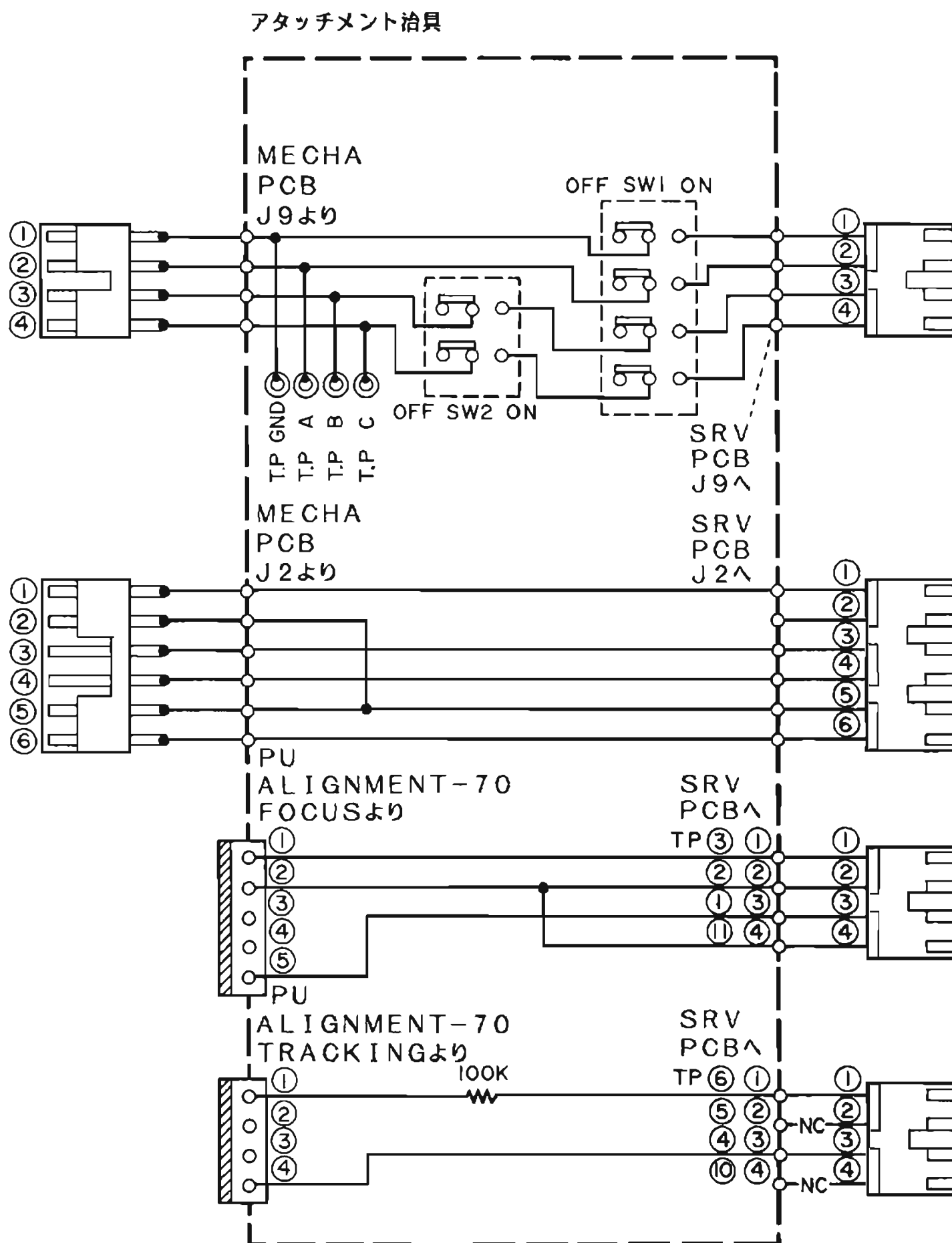
ステップ	測定項目	測定基準値	ディスク	操作ボタン	テストポイント	調整点	テスト・セットアップ	注
1	レーザーパワー調整	光出力 250 $\mu$ W $\pm$ 5 $\mu$ W	不要	電源 ON	ピックアップ レンズ	VR128	図 30, 31	J-2, J-9 J-10, J-11 S103, S104
2	PU位置 (高さ)調整	DC0V $\pm$ 50mV	タイプA	PLAY	IC101 (15), (16) ピン アタッチメント TP, A	VR104, VR117 ピックアップ 下側 (A) (B) (C)	図32, 33, 34, 35	J-2, 3, 9, 10, 11 S103, S104
3	PU接線方向 調整 (角度調整)	ACミリ ボルト メータ 最大	タイプA	PLAY	TE, B	ピックアップ 下側 (C)	図 36, 37, 38	セットは ステップ2 の状態を 保つこと
4	PU中心方向 調整 (角度調整)	ACミリ ボルト メータ 最大	タイプA	PLAY	TE, B	ピックアップ 下側 (A)	図36, 37, 38	同上
5	ステップ2~4を繰り返す							
6	DCバランス 調整	トラッキング エラー 0Vセンター	タイプA	PLAY	TE, B	VR117(( )) VR114	図 39, 40, 41, 42	同上
7	トラッキング エラー バランス調整	DC オフセット値 0Vセンター	タイプA	PLAY	TE, B アタッチメント TP, B, C	VR117	図43, 44, 45	同上
8	ACバランス 調整	トラッキング 波形 0Vセンター	タイプA	PLAY	TE, B アタッチメント TP, B, C	VR122	図43, 44, 45	同上
9	フォーカス バランス調整	ジッター メータ 最小	タイプA	PLAY	TP12, IC317 ピン (6)	VR104	図46, 47, 48	J11

## サーボ回路調整

ステップ	測定項目	測定基準値	ディスク	操作ボタン	テストポイント	調整点	テスト・セットアップ	注
1	フォーカス利得 調整	AC28mV $\pm$ 2mV RMS	タイプA	PLAY	サーボ基板 TP-11, 1, 2, 3	VR305	図49, 51, 52	1kHz
2	トラッキング 利得調整	AC44mV $\pm$ 4mV RMS	タイプA	PLAY	サーボ基板 TP-10, 4, 5, 6	VR343	図50, 53, 54	1.5kHz

アナログ回路調整

ステップ	測定項目	測定基準値	ディスク	操作ボタン	テストポイント	調整点	テスト・セットアップ	注
1	DCオフセット調整	DC0V ±10mV	タイプA	PAUSE	メイン基板 TP13(R), TP14(L)	VR629(R) VR609(L)	図55	





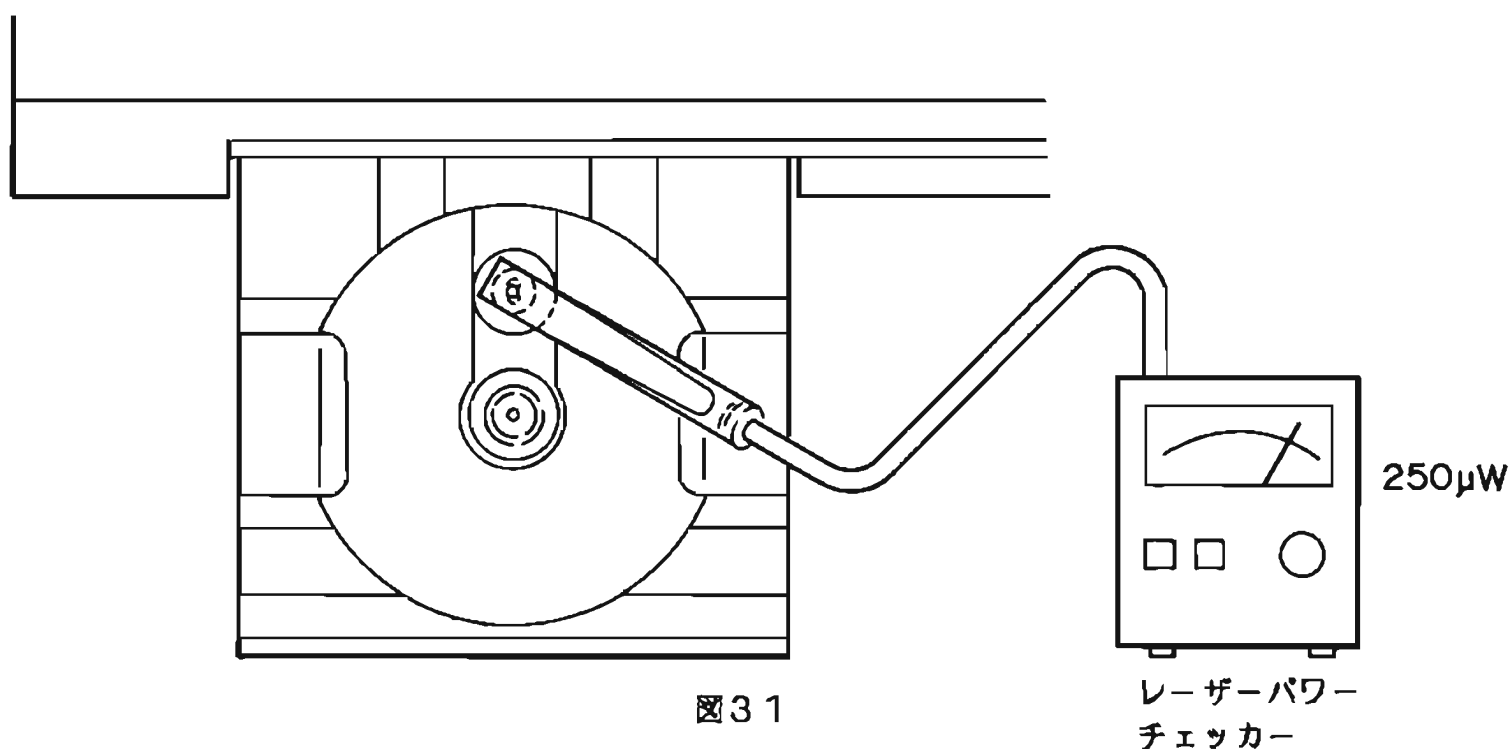
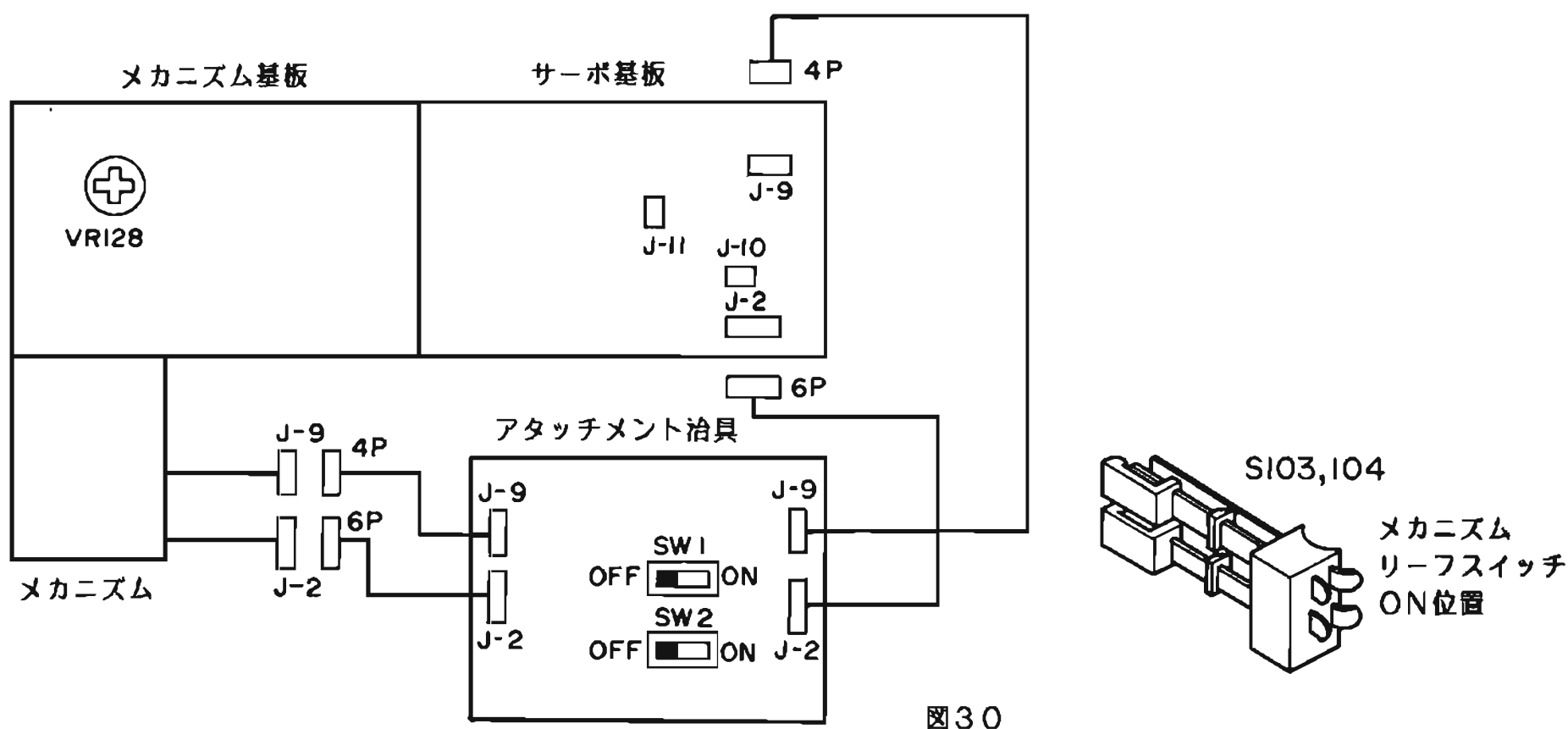
## レーザーパワー調整

レーザーダイオードの光出力が規定値以内 ( $250\mu\text{W} \pm 5\mu\text{W}$ ) に調整されていないと、レーザーダイオードの性能、特にS/Nは低下します。従って、レーザーピックアップを交換したときは、必ず光出力の調整を実施してください。

レーザーピックアップの高さおよび角度調整は、六角調整ネジ(A)、(B)、(C)が回されていない場合、ピックアップの交換時に容易に調整することができます。

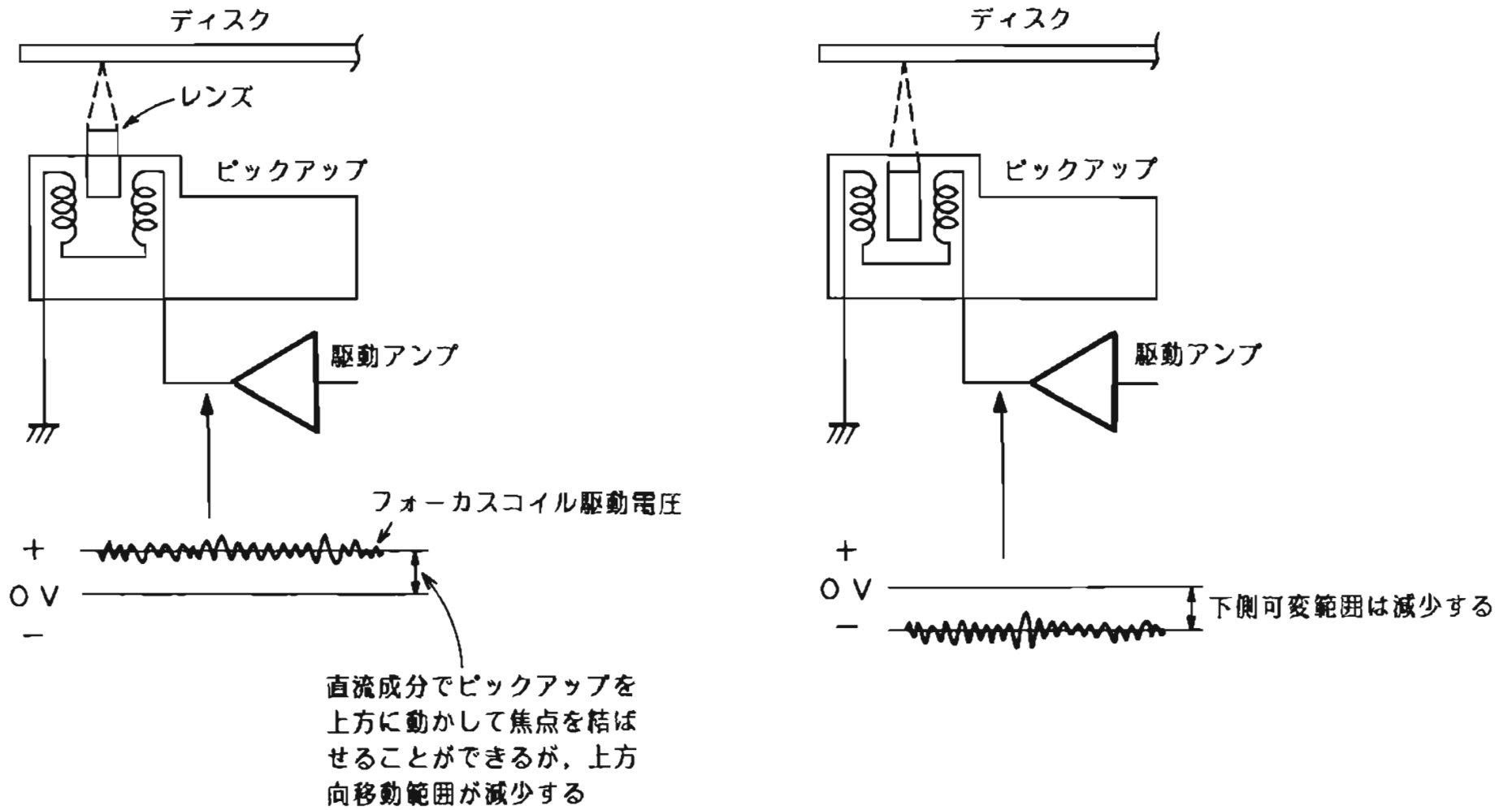
## 調整手順

1. ユニットの電源を切ります。  
サーボ基板のJ-9コネクタを外します。
2. アタッチメントのJ-9コネクタをサーボ基板のJ-9に接続します。アタッチメントのSW1をOFFに、SW2をOFFにセットします。外したJ-9コネクタをアタッチメントのJ-9端子に接続します。
3. サーボ基板のJ-2を外し、アタッチメントのJ-2コネクタをサーボ基板のJ-2に接続します。また外したJ-2端子をアタッチメントのJ-2に接続します。
4. メカニズム組立の2連のリーフスイッチS103およびS104をONにセットします。
5. サーボ基板上の2PコネクタJ-10 (トレイモータ) およびJ-11 (フィードモータ) を外します。
6. トレイを手で力 (約  $2.8\text{kg}$ ) を入れて引き出します。
7. 半固定抵抗VR128,  $10\text{K}\Omega$ を時計方向一杯に回します。(パワーMIN)
8. 電源スイッチをONします。  
レーザーピックアップレンズにレーザーパワーメータのセンサーを結合し、メカ基板のVR128をレーザーパワーメータの読みが  $250\mu\text{W} \pm 5\mu\text{W}$  になるように反時計方向にゆっくり回します。



ピックアップ高さ調整

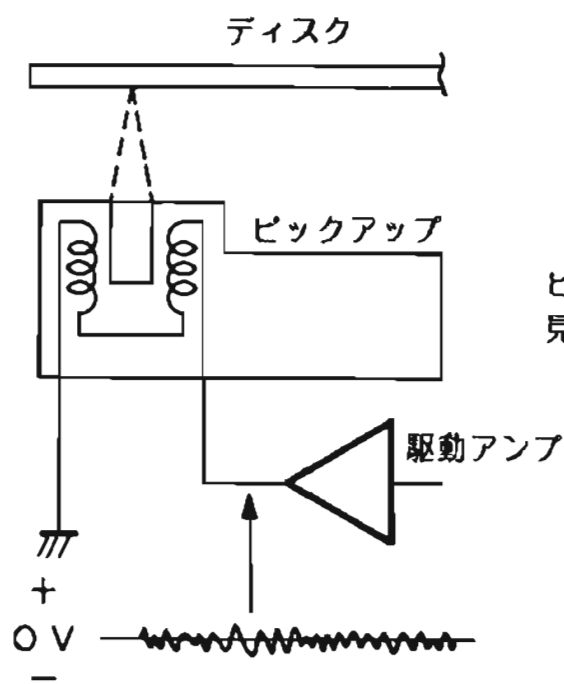
ピックアップの焦点方向の可変範囲は、フォーカスサーボが動作しているときフォーカスコイルに加えられているDC電圧（オフセット電圧）をゼロに調整することにより最大になります。



ピックアップの高さ低い

図32

ピックアップの高さ高い



ピックアップの高さは、フォーカスコイルの駆動電圧を見ながらピックアップを上下に移動して調整する

図33

ピックアップの高さ適当

## 調整手順

1. ユニットの電源をOFFにします。
2. アタッチメントのJ-9コネクタをサーボ基板のJ-9に接続します。アタッチメントのスイッチSW1とSW2をONにセットします。外したJ-9コネクタをアタッチメントのJ-9端子に接続します。外したJ-2コネクタをアタッチメントのJ-2に接続します。
3. サーボ基板のJ-2を外し、アタッチメントのJ-2をサーボ基板のJ-2に接続します。
4. メカニズム組立の2連リーフスイッチS103（クローズスイッチ）およびS104（レーザーダイオード用電源）をONにセットします。
5. サーボ基板の2PコネクタのJ-10（トレイモータ）を外します。
6. サーボ基板の4PコネクタのJ-3（SIGNAL）を外します。
7. メカ基板のIC101, TA7731Pのピン⑮と⑯にテスター（オーム計）を接続し、半固定抵抗VR104をテスターの読みが $10\text{K}\Omega \pm 0.5\text{K}\Omega$ になるように調整します。（フォーカス粗調整）  
粗調整後に4PコネクタのJ-3をサーボ基板のJ-3に接続します。
8. 半固定抵抗VR117,  $10\text{K}\Omega$ を反時計方向に一杯回します。
9. トレイを開けます。
10. ディスクモータにテストディスクYEDS-7（TYPE-3）をのせ、クランパーで保持します。（メカニズム組立のこのクランパーはネジ1個外すことにより取り外すことができます）
11. オシロスコープをアタッチメントのテストポイントTP. A（フォーカスコイル）端子に接続します。（DCレンジは $0.1\text{V}/\text{div.}$ ）
12. ユニットのパワーをONし、ユニットを再生モードにします。
13. サーボ基板の2PコネクタのJ-11端子（フィードモータ）を外します。
14. 六角レンチでピックアップ調整六角ネジを、オシロスコープの波形が0Vを中心に上下に触れるように調整します。

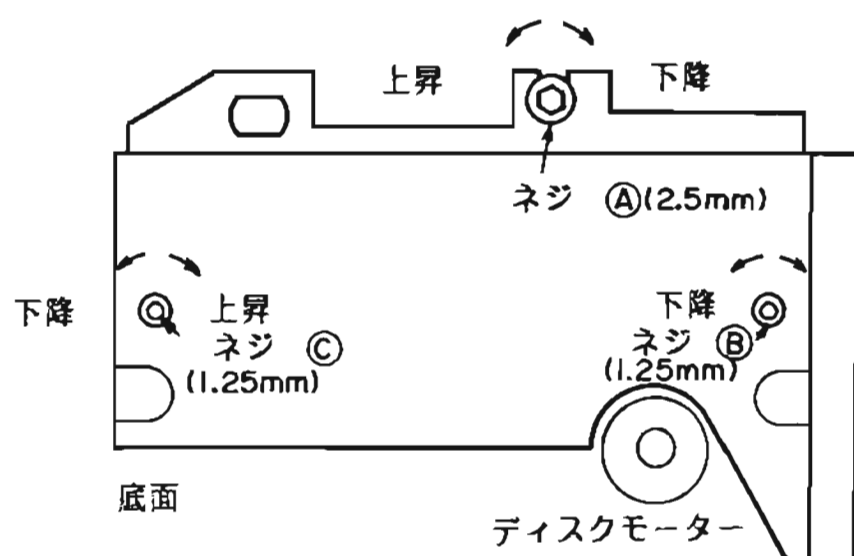


図34

上昇  
(レンズはディスクに近づく)

ネジ ⑮ は高さ方向に最も影響する  
最初に ⑮ を次に ⑯ と ⑰ を  
⑮ の回転に等しく回転させる

15. ユニットの電源は次に角度調整をするため切らないでください。

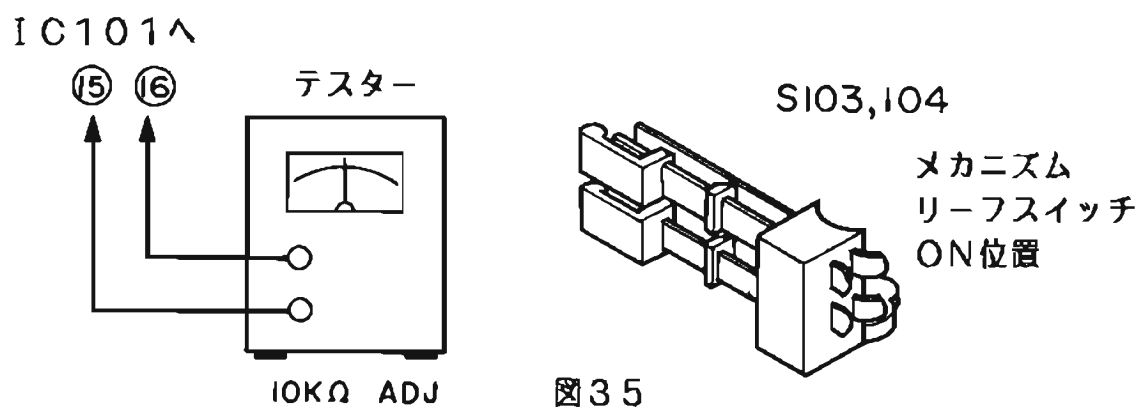
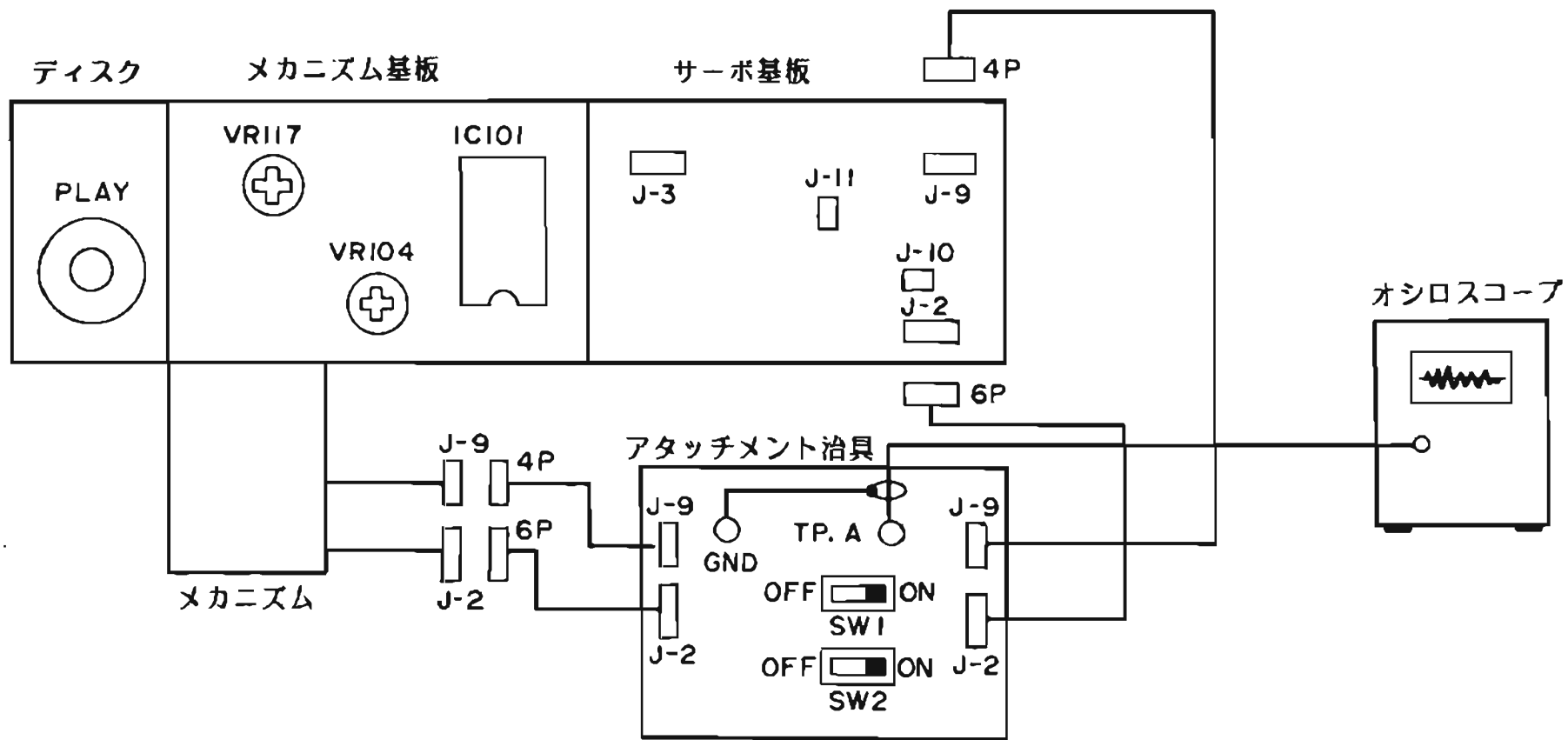


図35

ピックアップ角度調整

ピックアップの角度ずれは接線方向と中心方向に分けることができます。

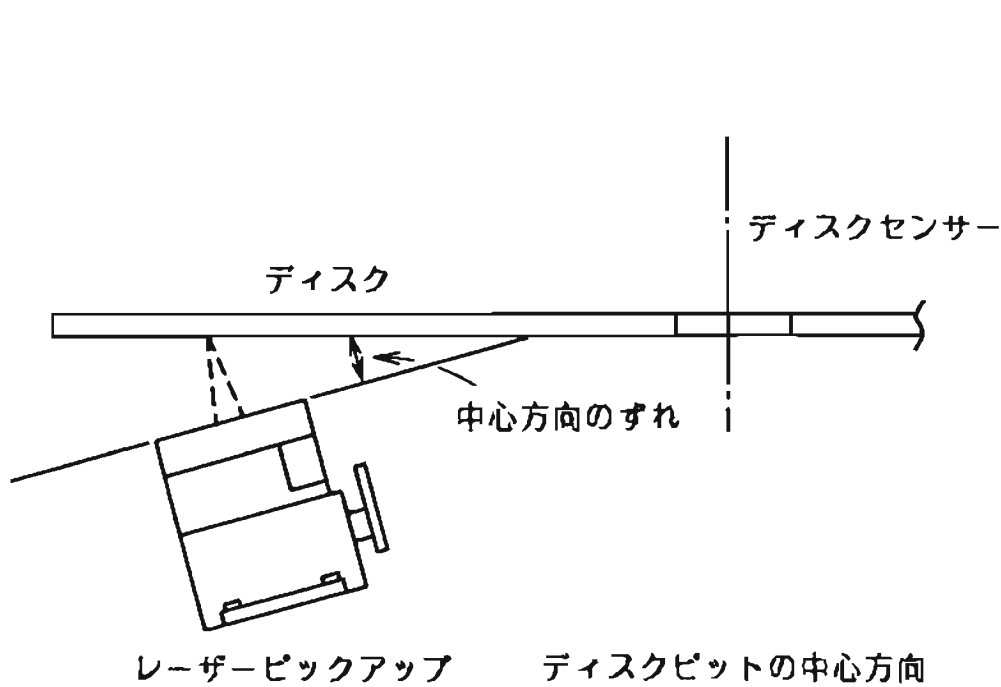


図36

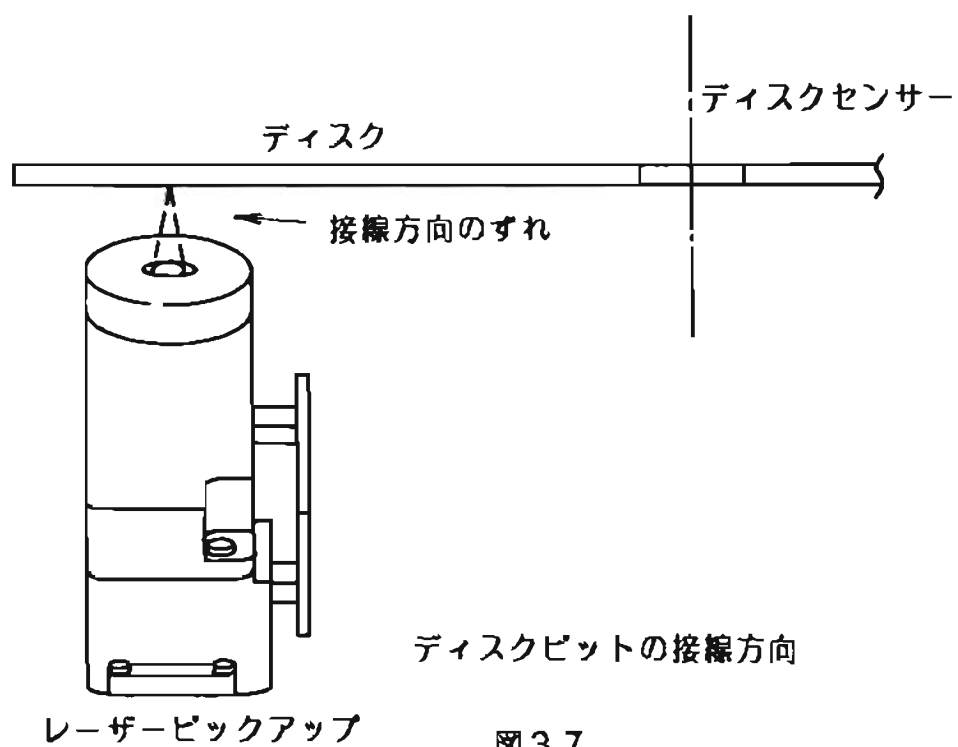


図37

角度がこれらの方向にずれると、レーザービームがディスクピットに直角に入射しなくなり乱反射などが発生し、正常な性能が得られなくなります。従って接線方向および中心方向角度の調整が必要になります。このセットの場合最適角度を調整するために4分割ダイオードの出力が利用されています。

調整手順（接線方向）

ユニットはピックアップ高さ調整のときの状態にセットしておきます。

1. アタッチメントスイッチSW1をONに、SW2をOFFにセットします。（トラッキングサーボをOFFにする）
2. AC電圧計をメカ基板のテストポイントTE、Bとグラウンド間に接続します。（レンジは0.3V）
3. メカ基板のテストポイントTE、Bにオシロスコープを接続します。調整はオシロスコープを見ながら行いますと容易にできます。
4. AC電圧計の読みが最大になるように調整ネジを回します。（調整ネジ ㉔は接線方向の調整に最も大きな影響を与えます。）

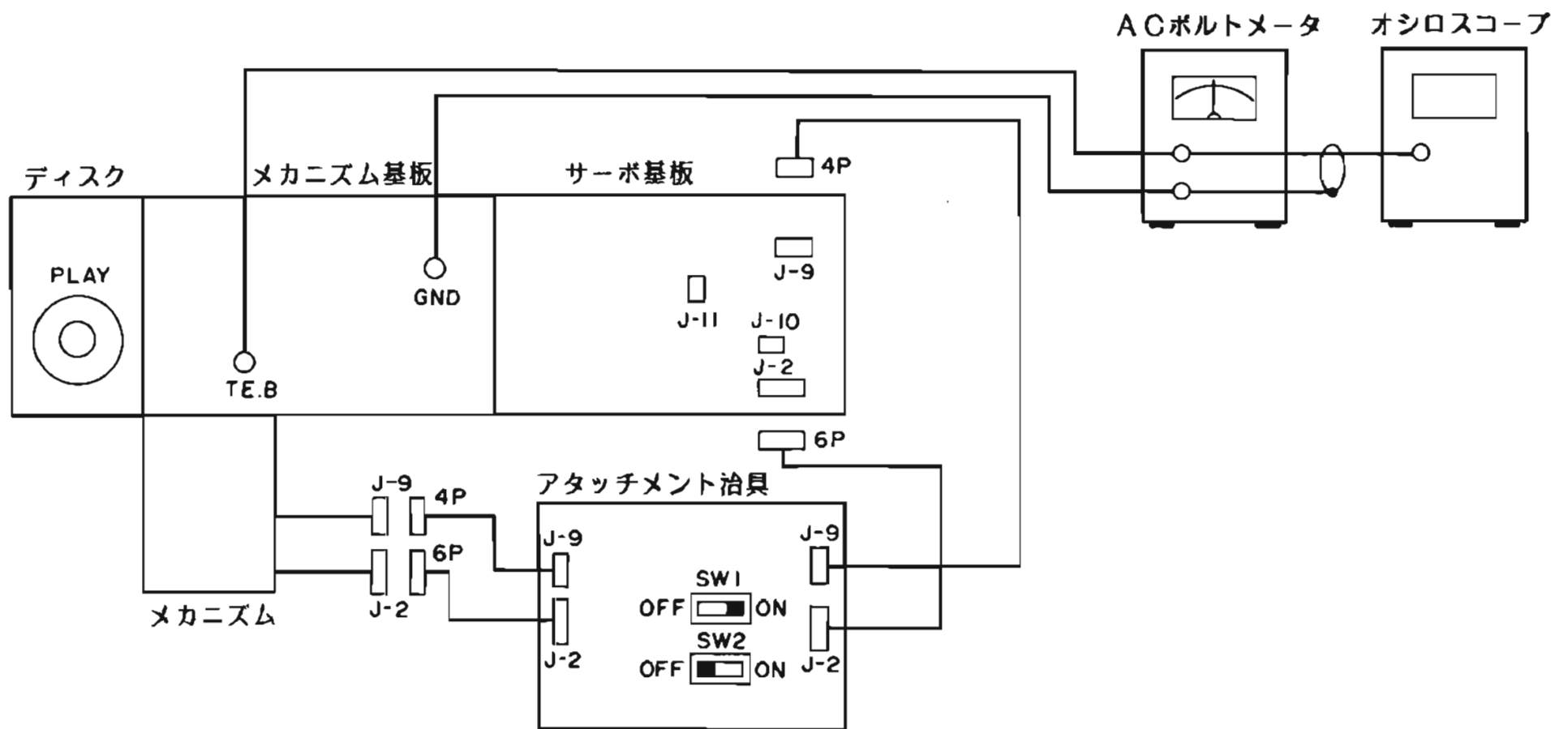


図38

調整手順（中心方向）

1. 接線方向調整の場合と同様にAC電圧計が最大を示すように調整ネジを回します。（中心方向調整にはネジ ㉔が最も大きな影響を与えます）
2. 角度調整を行うとピックアップの高さ調整が狂ってくるので角度調整後には必ずピックアップの高さをチェックしてください。高さ調整が狂っている場合には再調整します。次に角度調整をチェックします。すなわち、高さ調整と角度調整を2～3回繰り返します。
3. 次にDCバランス調整を行いますので、ユニットは以上の調整終了後の状態を保持しておきます。

トラッキングエラーDCバランス調整

角度調整が正しく行われても、フォトダイオードの出力は4分割フォトダイオードのパラメータのバラツキやその他の定数のバラツキによって同一出力を発生するとは限りません。従って、ヘッドアンプIC101 (TA7731P) やIC103 (TA75902P) のオフセット値も含めたDCバランスの調整が必要になります。

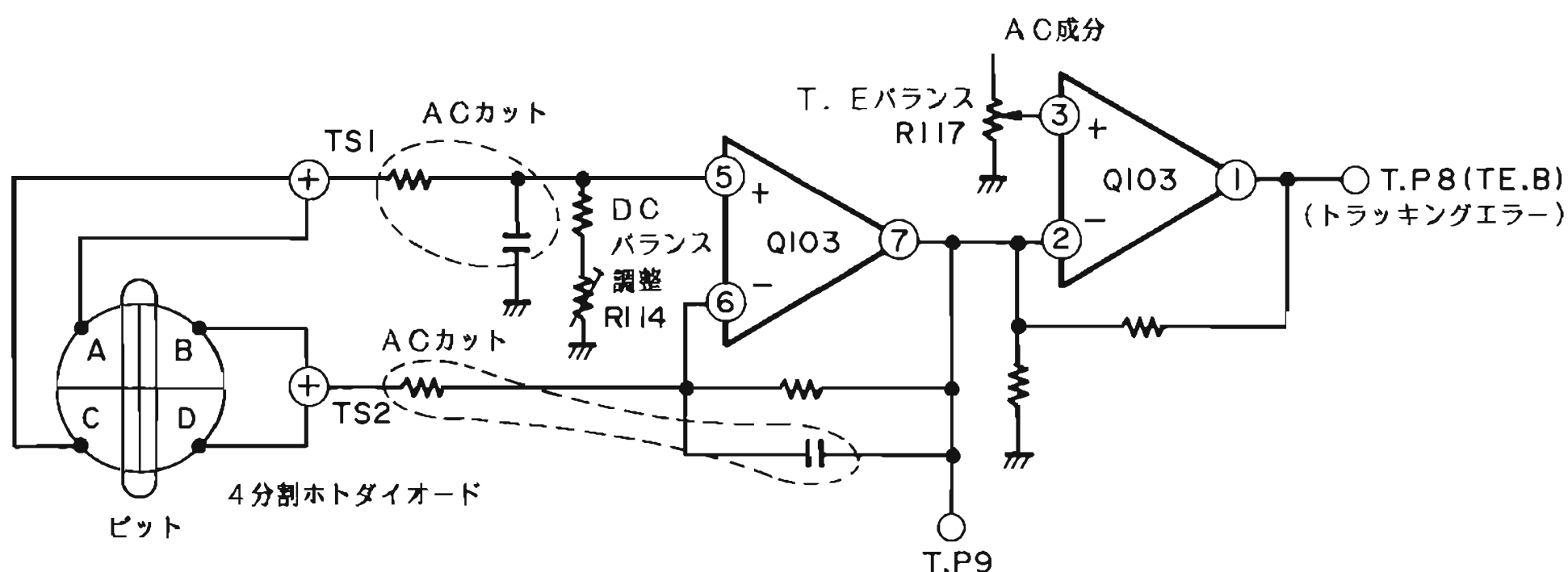


図39

直流成分の差はトラッキングエラーバランスを最小（あるいはIC103の入力ピンをグランドレベル）にするとき、メカ基板のテストポイントTE. Bに発生します。DCバランスを調整するときは、メカ基板の半固定抵抗VR114をトラッキングエラー信号のオフセットがなくなるように調整します。

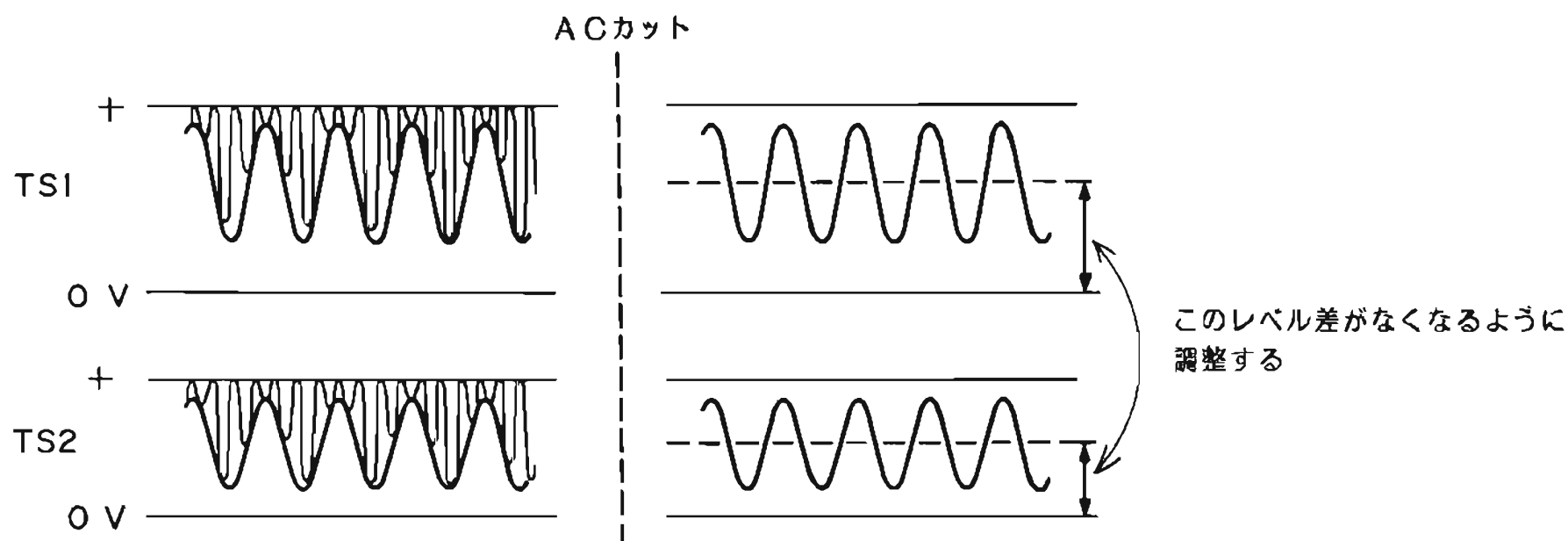


図40

直流バランスの調整がずれていると、トラッキングコイルは常にDC電圧によってバイアスされることになり、水平方向の移動距離にずれを生じさせることとなります。このことはまた4分割フォトダイオードに正常な反射光が入射しないことにもなります。

**調整手順**

ユニットをピックアップの角度調整終了の状態に維持しておきます。

1. メカ基板の半固定抵抗VR117, 10K $\Omega$ を時計方向一杯に回します。(MIN)
2. オシロスコープ(DC 0.1V/div. レンジ)をテストポイントTE.Bに接続します。
3. オシロスコープを見ながら, メカ基板の半固定抵抗VR114をトラッキングエラー波形が0Vを中心に振れるように調整します。

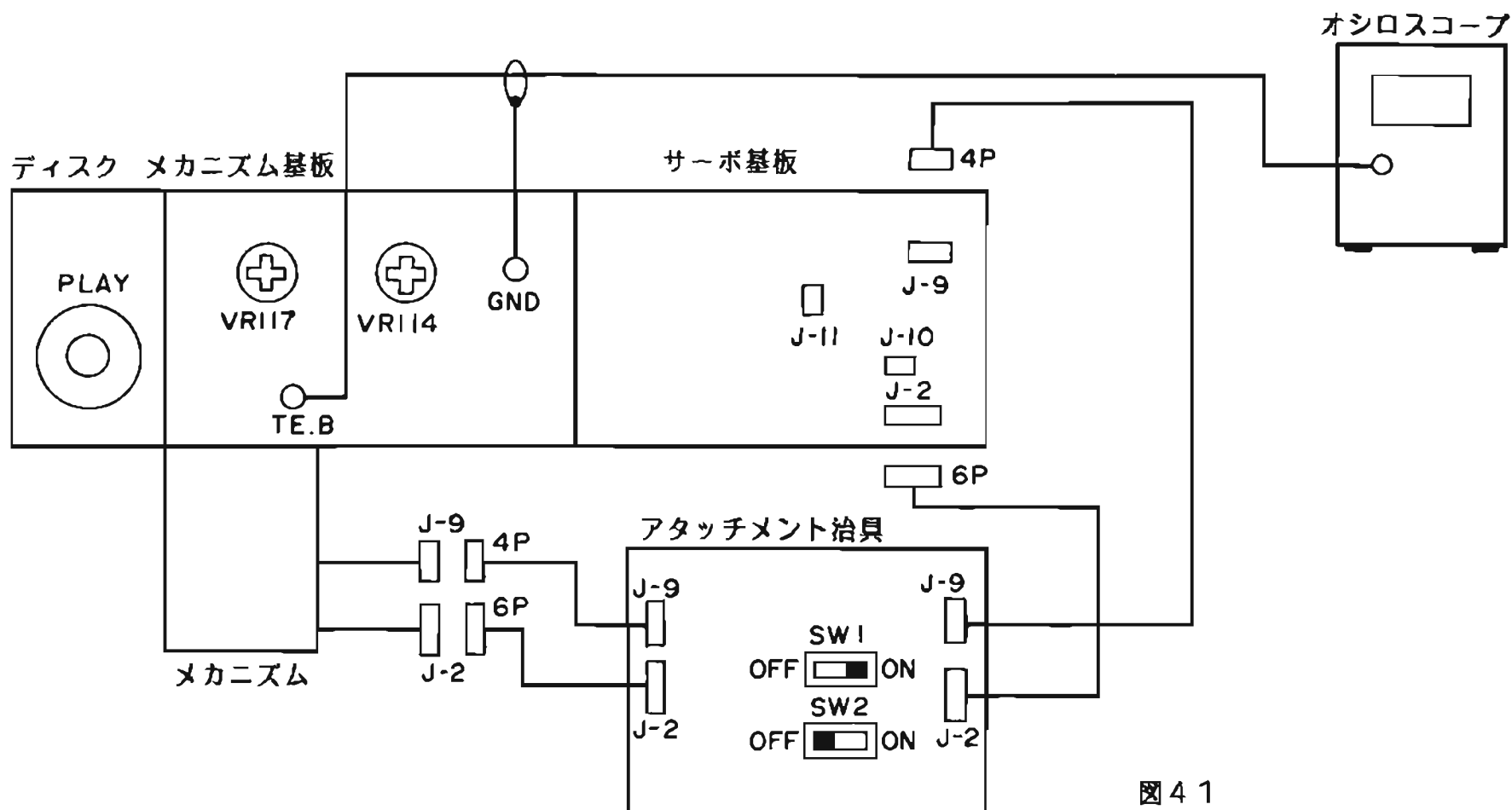


図 4.1

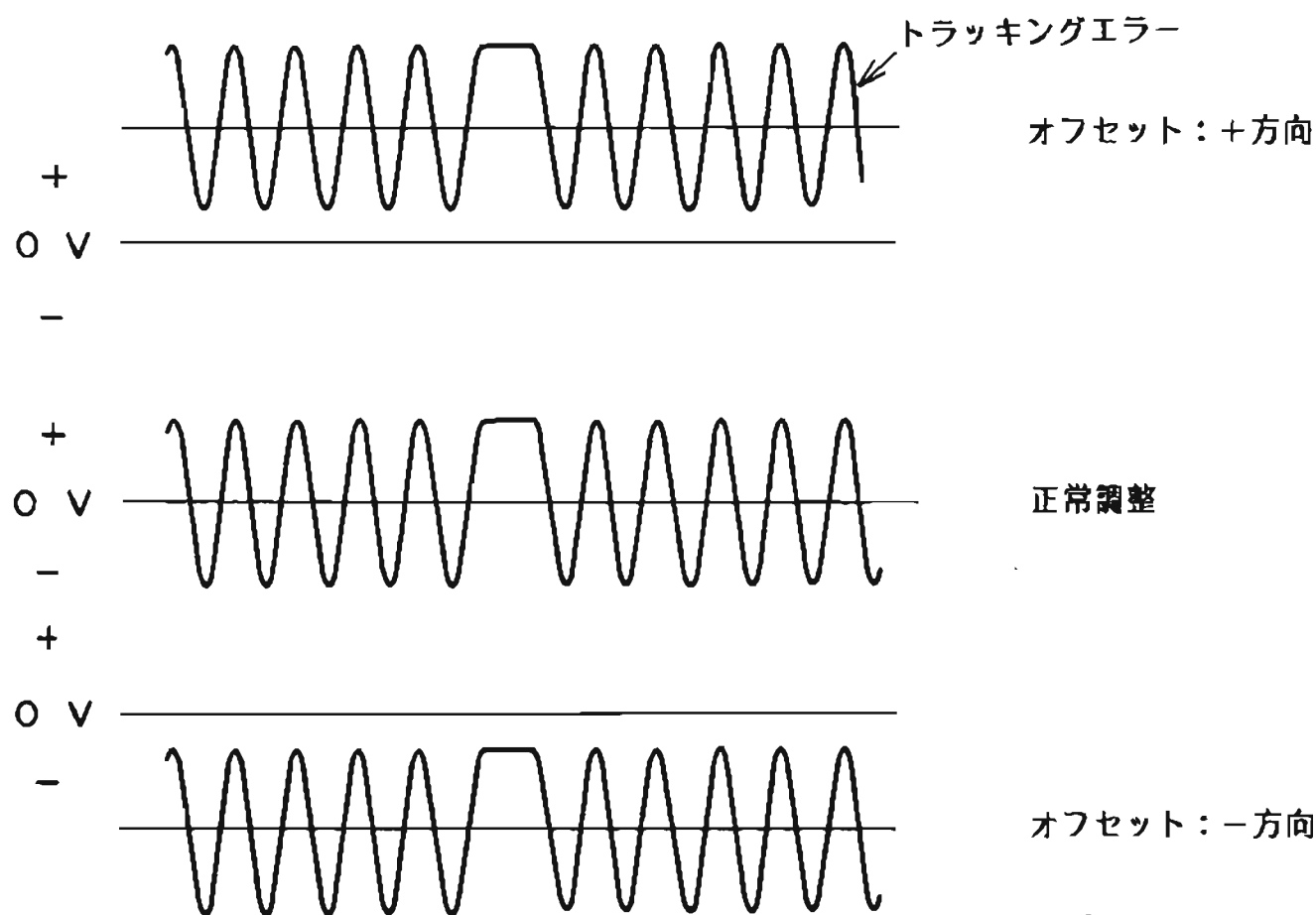


図 4.2

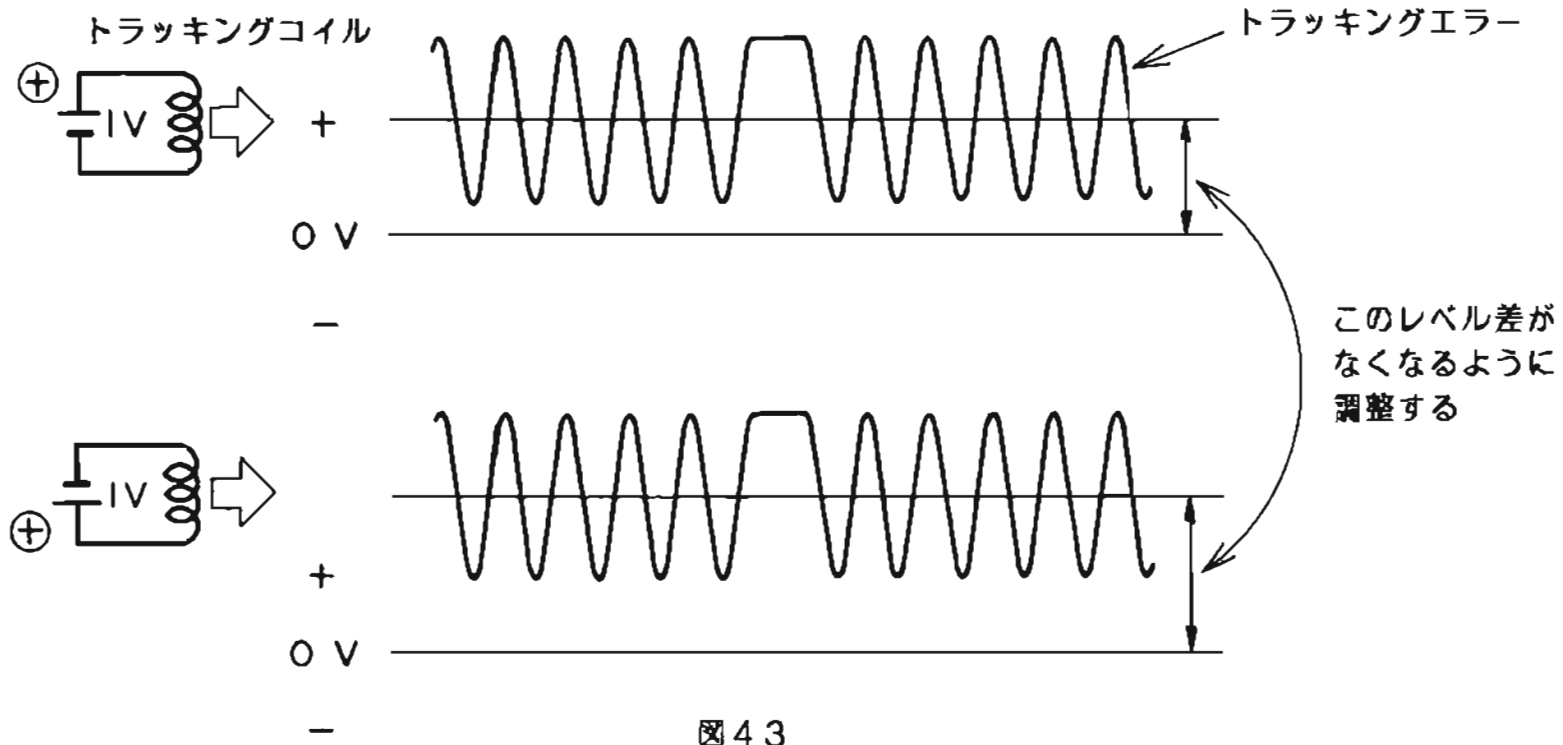
4. 次にトラッキングエラーバランス調整をするために, ユニットはこのままの状態を維持します。

トラッキングエラーバランス調整, ACバランス調整

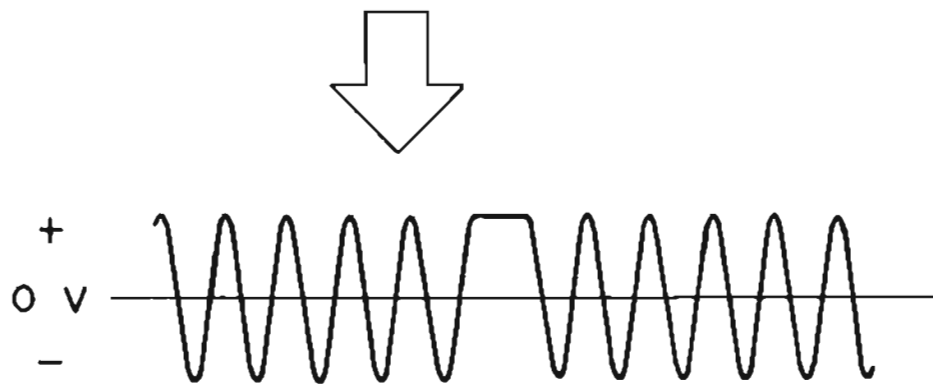
ピックアップレンズがサーチング動作を強制されるとき, 4分割フォトダイオードに対し相対的な位置ずれが発生し, これによりトラッキングエラー信号にオフセット電圧が発生します。

このオフセット電圧はトラッキングコイルの動作を狂わせ, 希望トラックへのサーチング動作を不安定にします。トラッキングエラー調整はこのようにトラッキングコイルが強制的に移動させられるときでも, トラッキングエラー信号にオフセット電圧が発生しないようにするために行うものです。

この調整は, トラッキングコイルにDC 1.0Vを加えてピックアップレンズを強制的に動かすことにより行います。



DCオフセットレベルが上述のように同一レベルになるように調整する。DCオフセットを減少させるためにACバランス調整を行います。





調整手順

ユニットはトラッキングエラーDC調整終了状態にしておきます。

定電圧電源治具を使用します。

1. 電源治具のTP. B端子から+1.0Vをアタッチメントのテストポイントに加え、TP. C端子を接地します。
2. オシロスコープ（DCレンジ0.2V/div.）をメカ基板のテストポイントTE. B端子に接続します。
3. オシロスコープの波形を観察し、DCオフセット値をメモします。
4. 電源治具のTP. C端子から+1.0Vをアタッチメントのテストポイントに加え、TP. B端子を接地します。（ステップ1と逆になります。）
5. オシロスコープの波形を観察しながら、半固定抵抗VR117、10KΩをステップ3で得られたオフセット値と同じ値が得られるように調整します。
6. ステップ1と4を繰り返し、オフセット差がなくなるようにします。
7. メカ基板のVR122、47KΩをトラッキング波形が0Vを中心に振れる様調整します。
8. 定電圧電源治具から+1.0Vを外します。

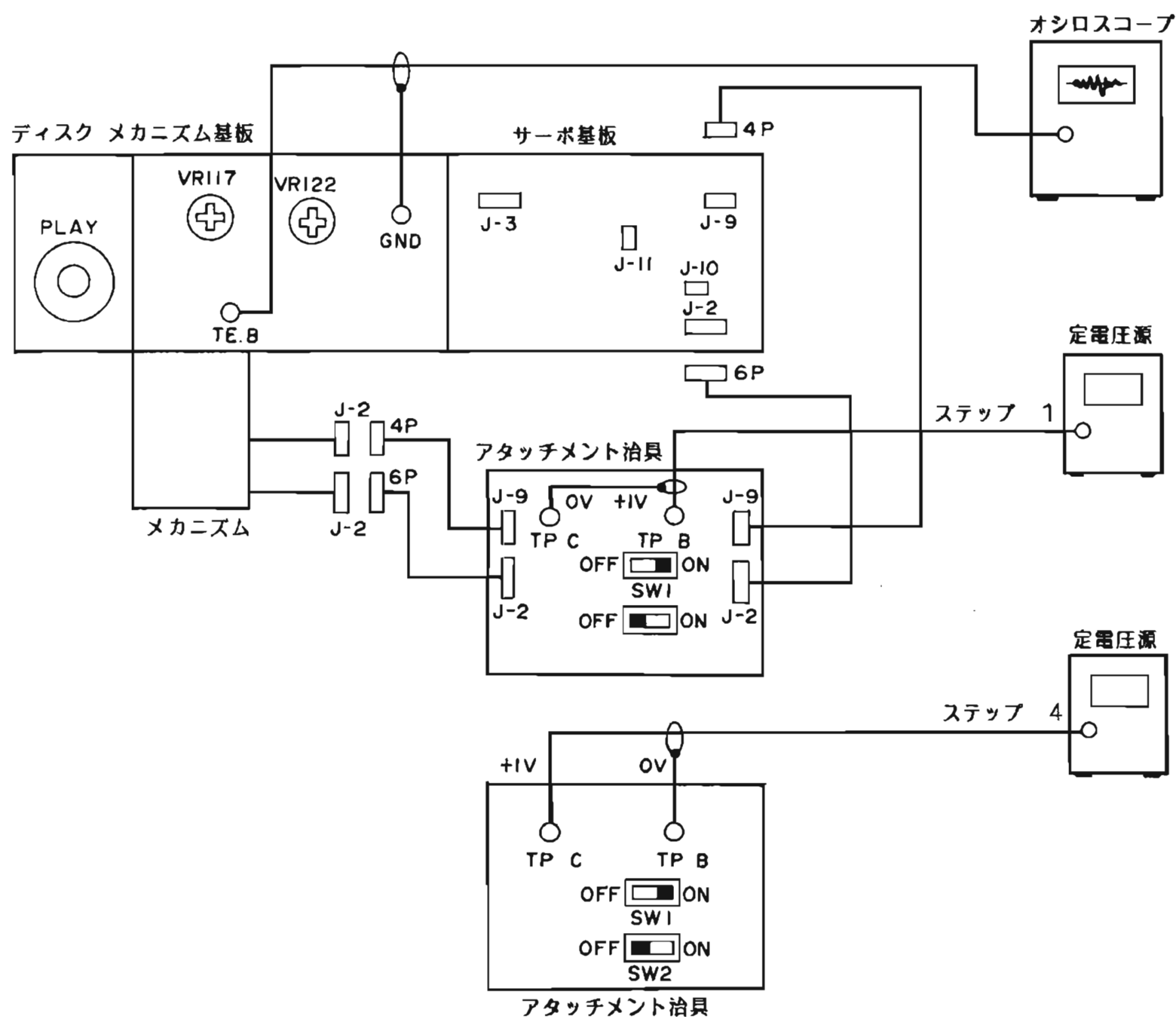


図45

9. ユニットはそのままの状態に維持しておきます。（電源治具のスイッチはOFFにしても良い。）

フォーカスバランス調整

ステップ7のピックアップ高さ調整において、IC101 (TA7731P) のピン⑮と⑯間の抵抗は $10\text{K}\Omega \pm 0.5\text{K}\Omega$ に調整しました。この調整は間接的にフォーカス方向の粗調整を意味しています。しかしながら、この粗調整では、加算アンプIC101のずれはキャンセルすることはできません。

このフォーカス調整の目的は、フォーカス方向調整を正確に調整し、ビームを正しく結焦させることにあります。

RF信号 (アイパターン) を見ながらフォーカスバランスをくずしてみると、RF信号が乱され、焦点ずれの状態を見ることができます。

しかしながら、オシロスコープを見ながら調整する限り調整に個人差が発生します。これを防ぐために、波形観察による方法は粗調整に限定し、微調整は最初にRF信号をEFM信号に変換し、次に3T成分のジッター量を最小にすることによって行います。

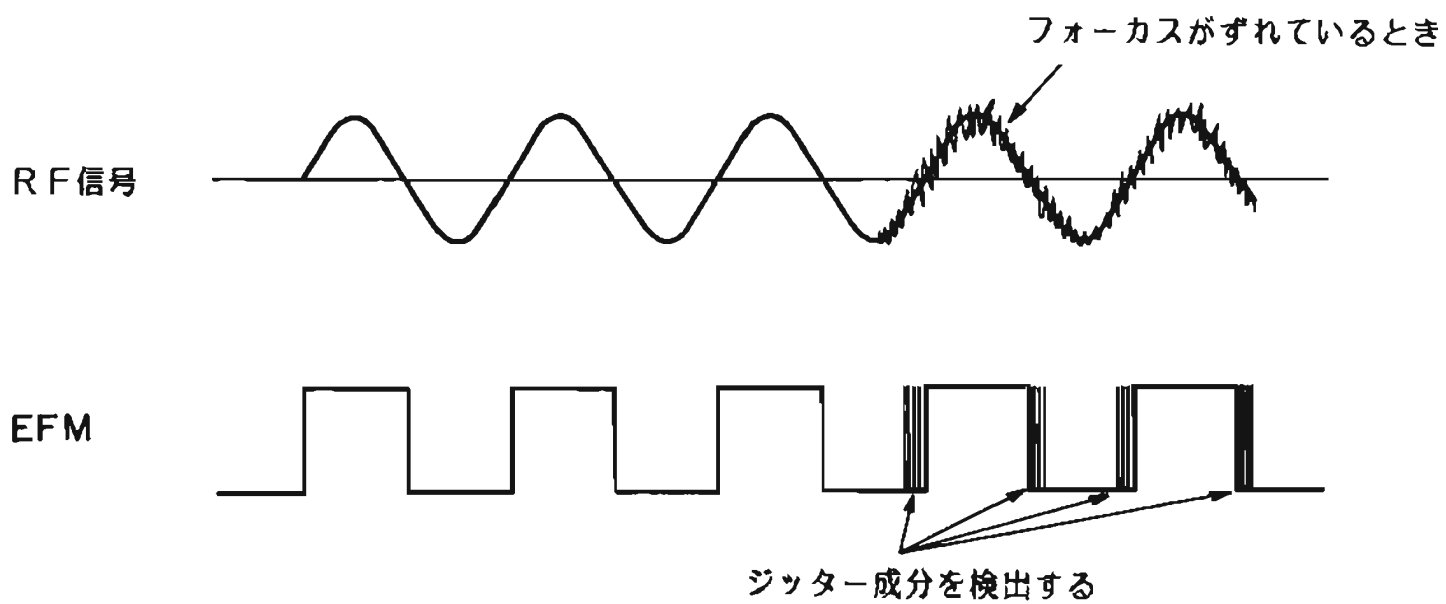


図46

ジッター検出器はPU調整治具70に含まれています。

**調整手順**

ユニットをトラッキングエラーバランス調整およびACバランス調整の終了時の状態にしておきます。

1. アタッチメントスイッチSW1とSW2をONにします。
2. サーボ基板の2Pコネクタ-J-11(フィードモータ)を接続します。
3. PU調整治具70の後面のJITTER INをIC317(TC40H 004P)のピン6(あるいはフラットパッケージ基板のEFM2)に接続します。
4. PU調整治具70の電源をONし、ユニットをPLAY状態にします。トラックNo. 1(YEDS-7)を再生します。
5. オシロスコープをメカ基板(下側)のテストポイント(RF信号)TP12に接続します。(ACレンジ0.1V/div., 0.5μsec/div.)
6. オシロスコープの波形が最もはっきり見えるように半固定抵抗VR104, 2.2KΩを調整します。
7. PU調整治具70のジッターメータの読みが最小になるようにVR104を調整します。

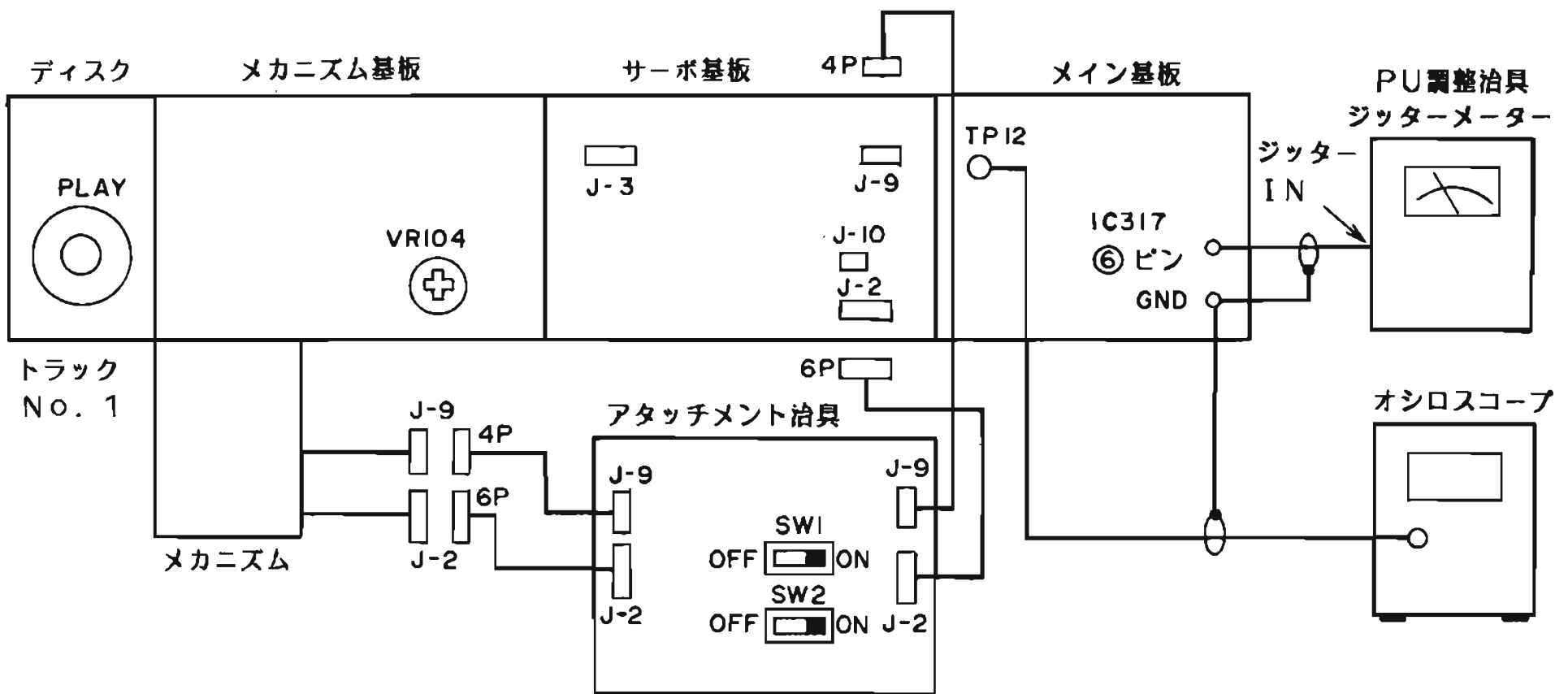


図48

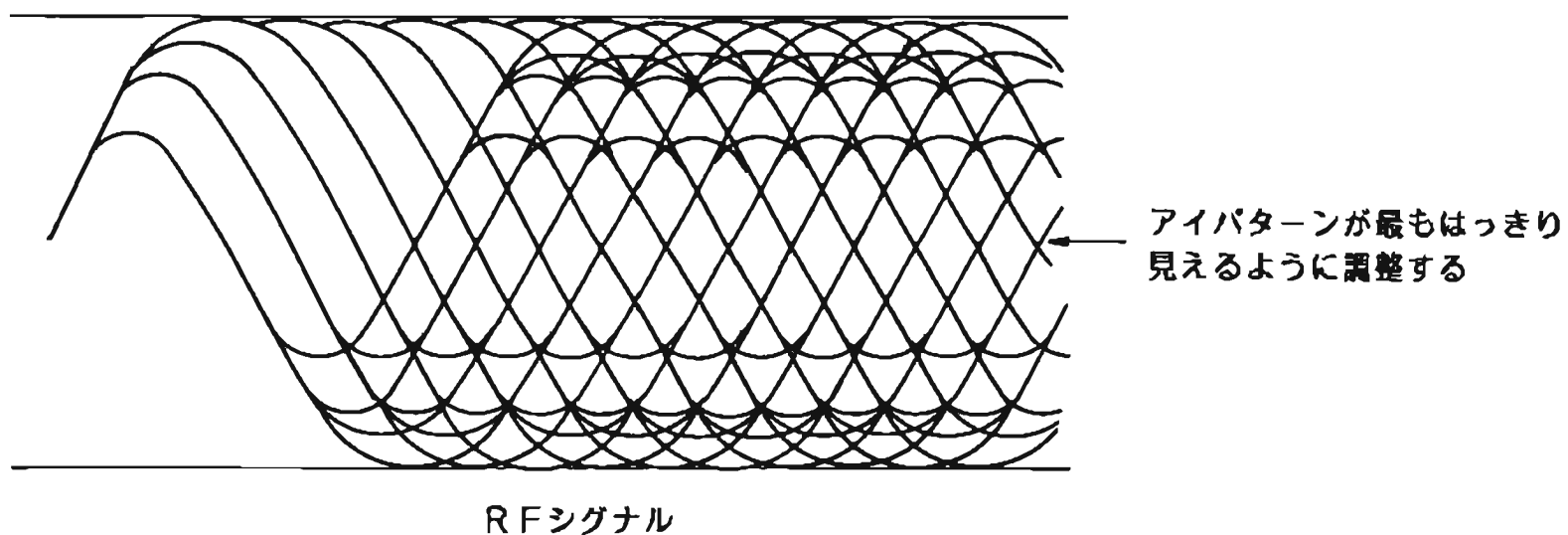


図47

8. この調整の終了後、ユニットを元の状態に戻し(全てのコネクタを正常に戻し)ユニットの電源をオフにします。

フォーカスサーボ利得およびトラッキングサーボ利得調整

サーボ利得調整は外乱によってレンズが不要な動作をすることを防ぐために行います。外乱の中にはディスク表面のキズ、ホコリ、振動、ショックなどが含まれます。この利得調整が正しく実施されない場合、キズや振動などの外乱によって性能が不安定になってきます。この利得調整は1 kHzのサーボシステム信号と1.5 kHzのトラッキングサーボシステム信号を使用して行います。

フォーカスシステム

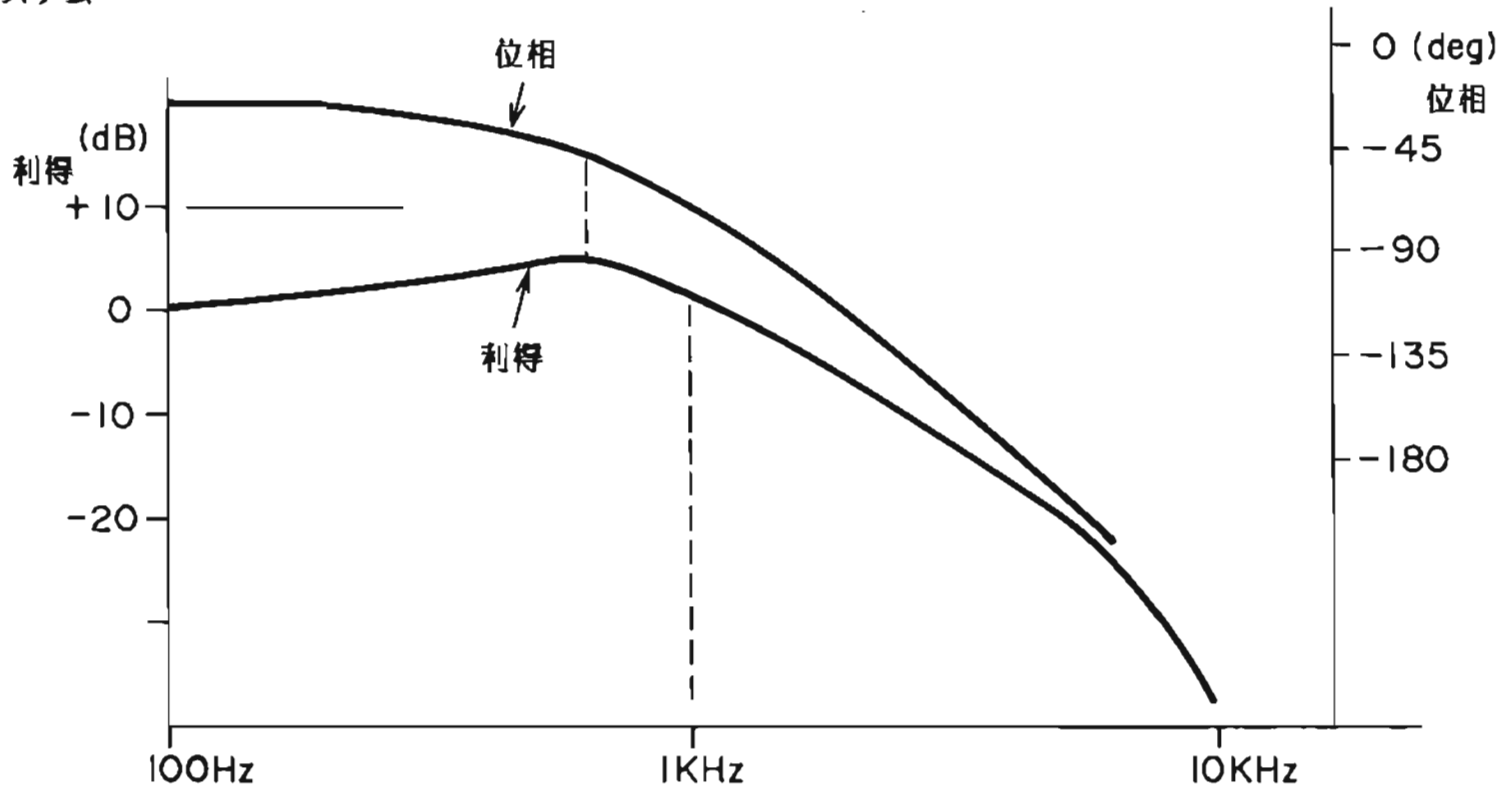


図49

トラッキングシステム

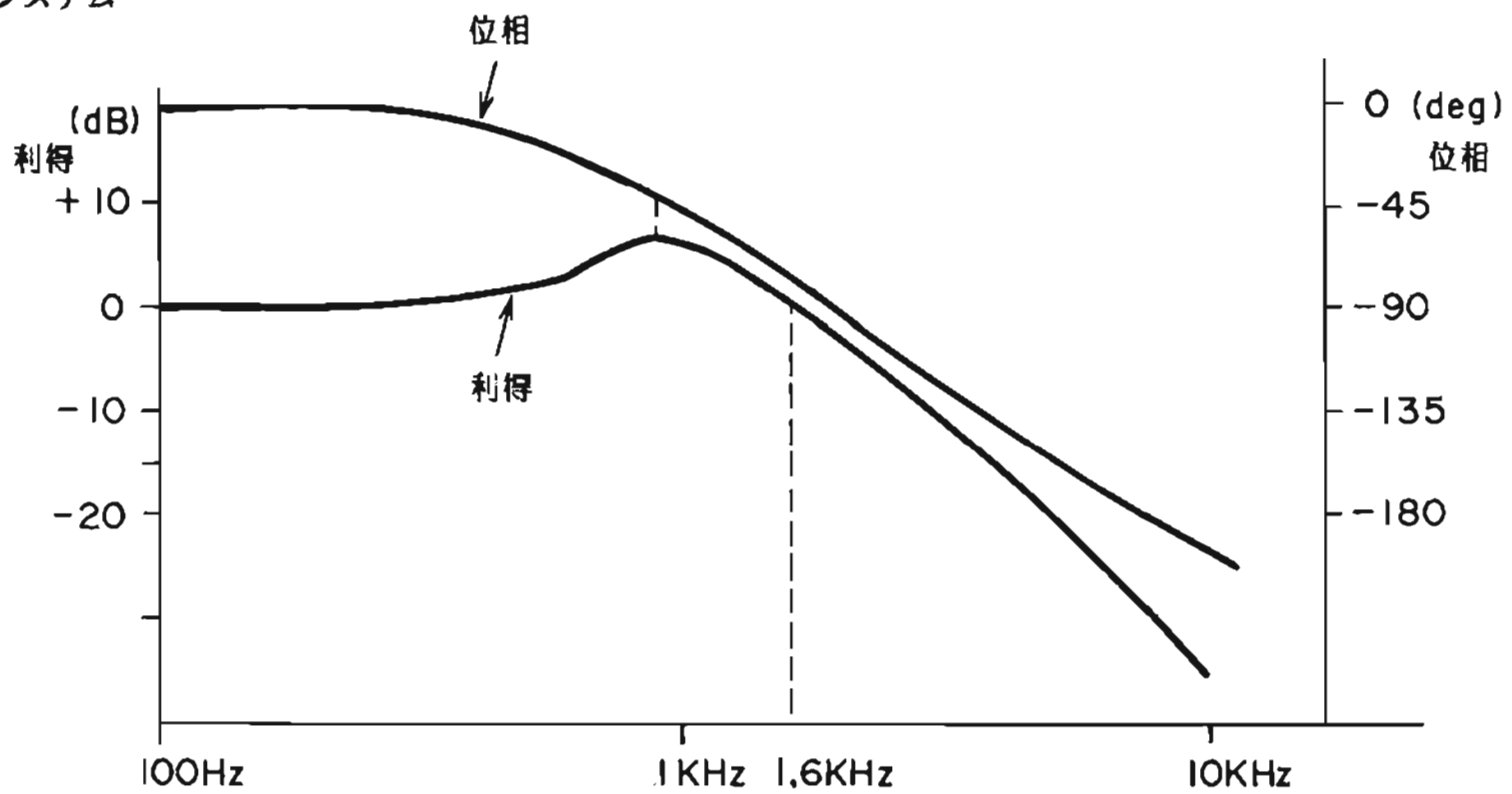


図50

調整手順（フォーカス利得）

1. ユニットの電源をオフにする。
2. アタッチメントのフォーカスコネクタをPU調整治具70の後面のFOCUSに接続する。アタッチメントのフォーカスコネクタをサーボ基板のテストポイントTP ⑪, ①, ②, ③に接続する。
3. 発振器（1kHz, 50mV (RMS)）をPU調整治具のフロントパネルのOSC INに接続する。
4. AC電圧計をPU調整治具の前面パネルのOUTおよびGND端子に接続する。
5. PU調整治具の前面パネルスイッチを下記のようにセットする。

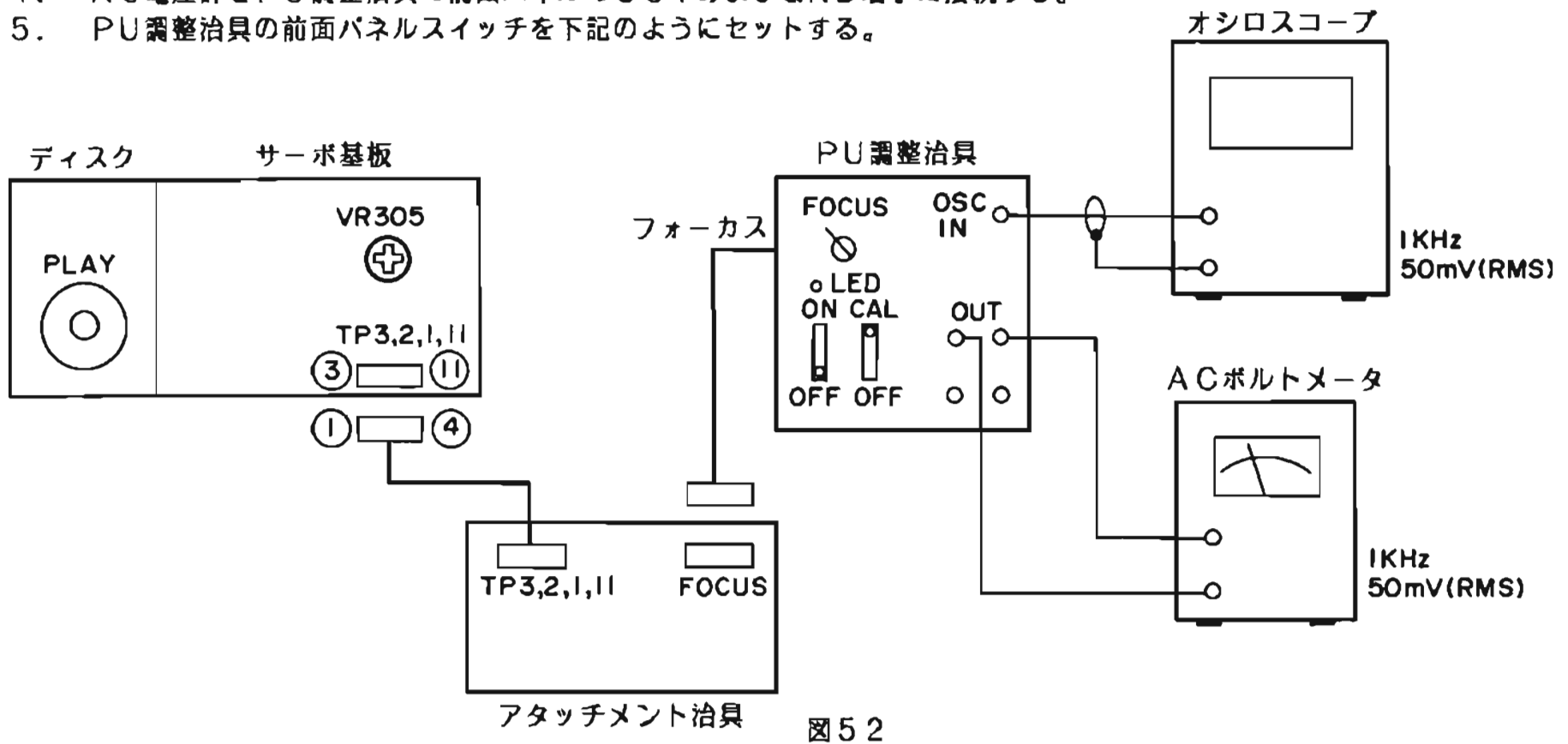


図52

6. PU調整治具70およびユニットの電源をONし、ユニットを再生モードにする。（YEDS-7トラックNo. 1を再生する）
7. 発振器のレベルをAC電圧計が50mVを表示するように調整する。（最大値を与える周波数を知るため周波数を変化させ、その周波数を使用します。）
8. PU調整治具の前面パネルのスイッチを下記のようにセットする。
9. AC電圧計が28mV±2mVを示すようにサーボ基板の半固定抵抗VR305, 10KΩを調整する。

メーター振幅  
大 (VR305) 小

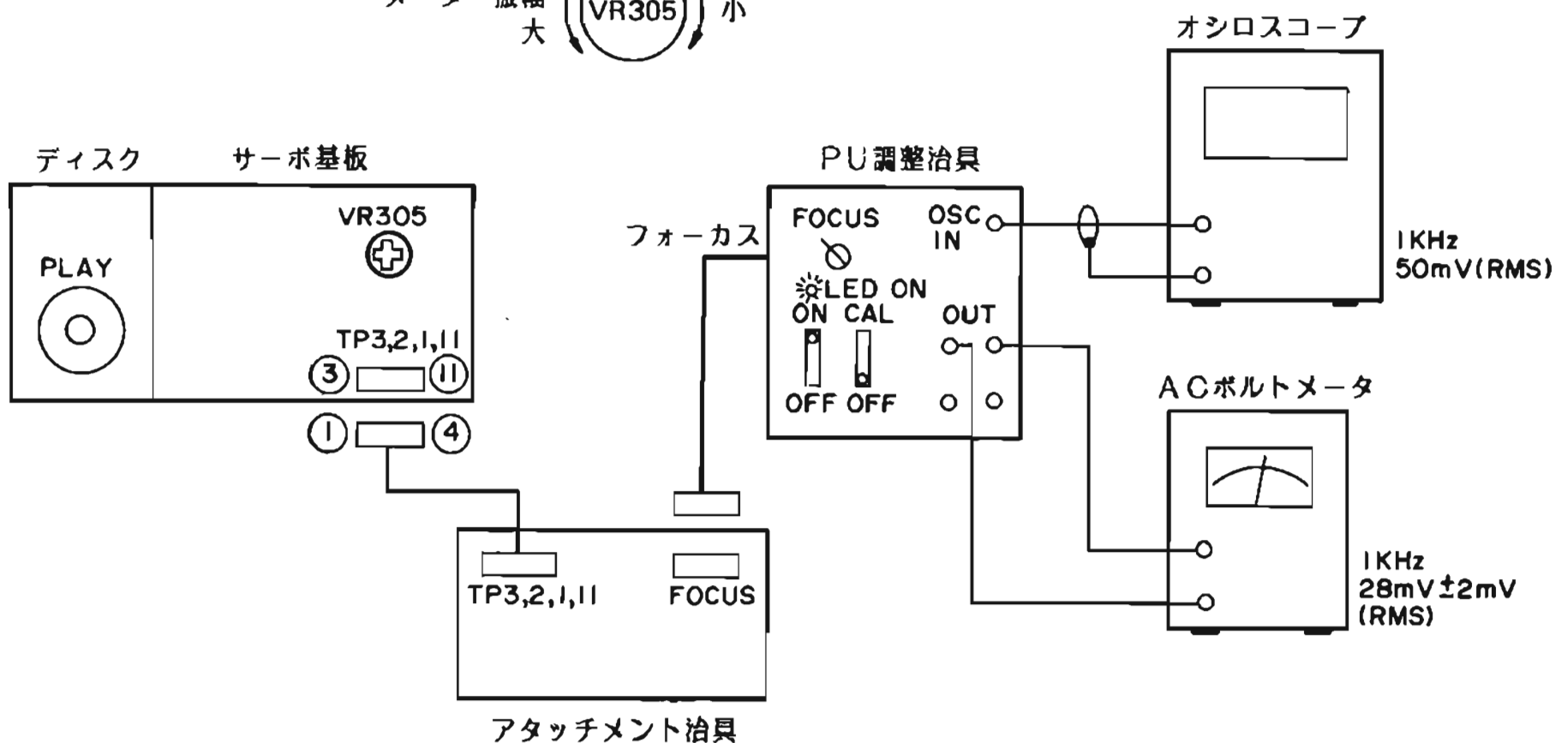


図51

10. 次の調整のため以上の接続状態を維持しておきます。

調整手順（トラッキング利得）

1. ユニットの電源をOFFにします。
2. PU調整治具70の後面のTRACKING端子をアタッチメントのトラッキング端子に接続します。  
アタッチメントのトラッキングコネクタをサーボ基板のテスト端子TP (⑩), (④), (⑤), (⑥)に接続します。(FOCUSは接続したままにしておきます。)
3. PU調整治具の前パネルのスイッチを下記のようにセットします。

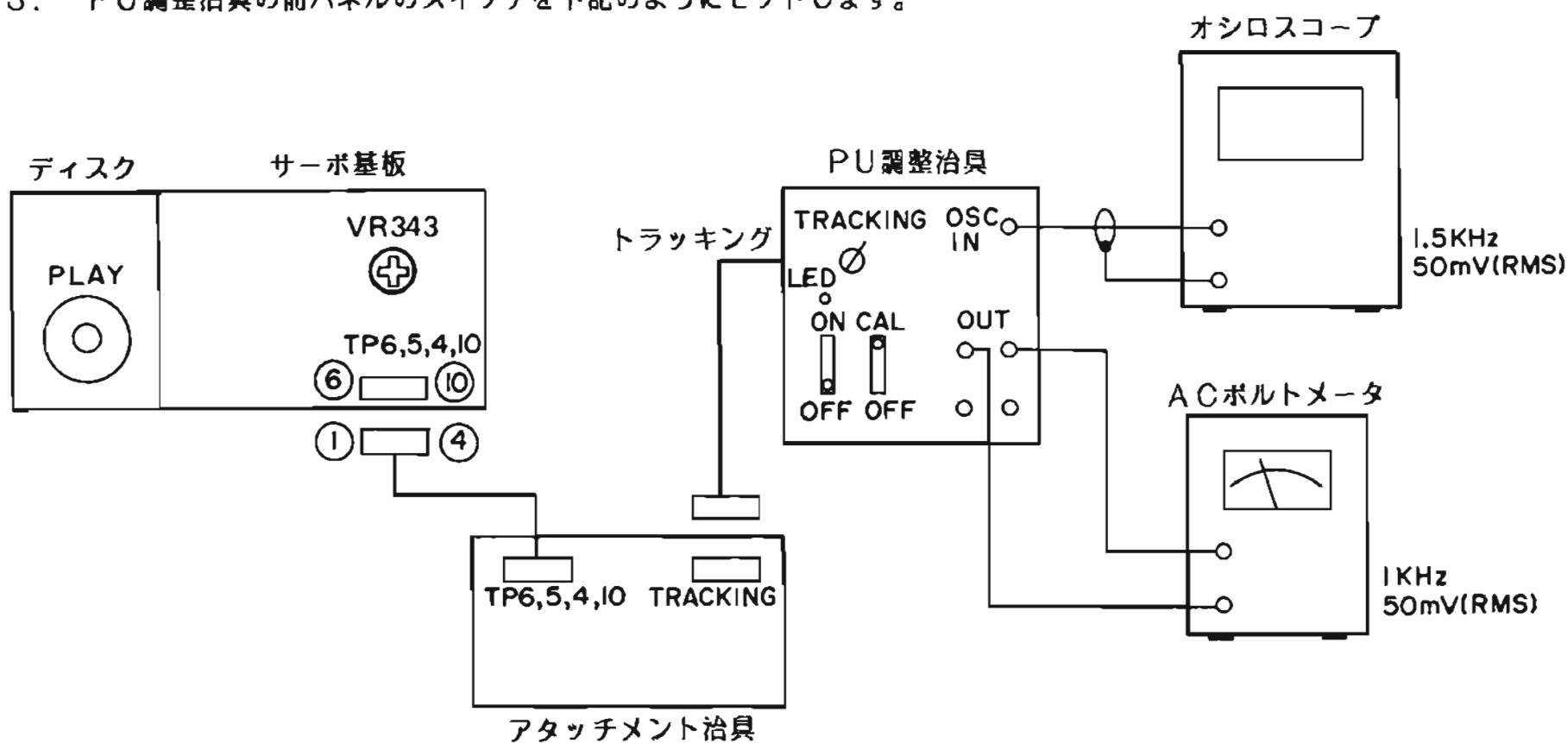


図53

4. ユニットを再生モードにセットし、YEDS-7のトラック1を再生します。
5. 発振器出力をAC電圧計が50mVを示すように調整します。(周波数を可変し最大出力を与える周波数を使用します。)
6. PU調整治具の前パネルのスイッチを下記のようにセットします。
7. AC電圧計が44mV±4mVを示すように半固定抵抗VR343, 10KΩを調整します。

メーター振幅 (VR343) 小  
大

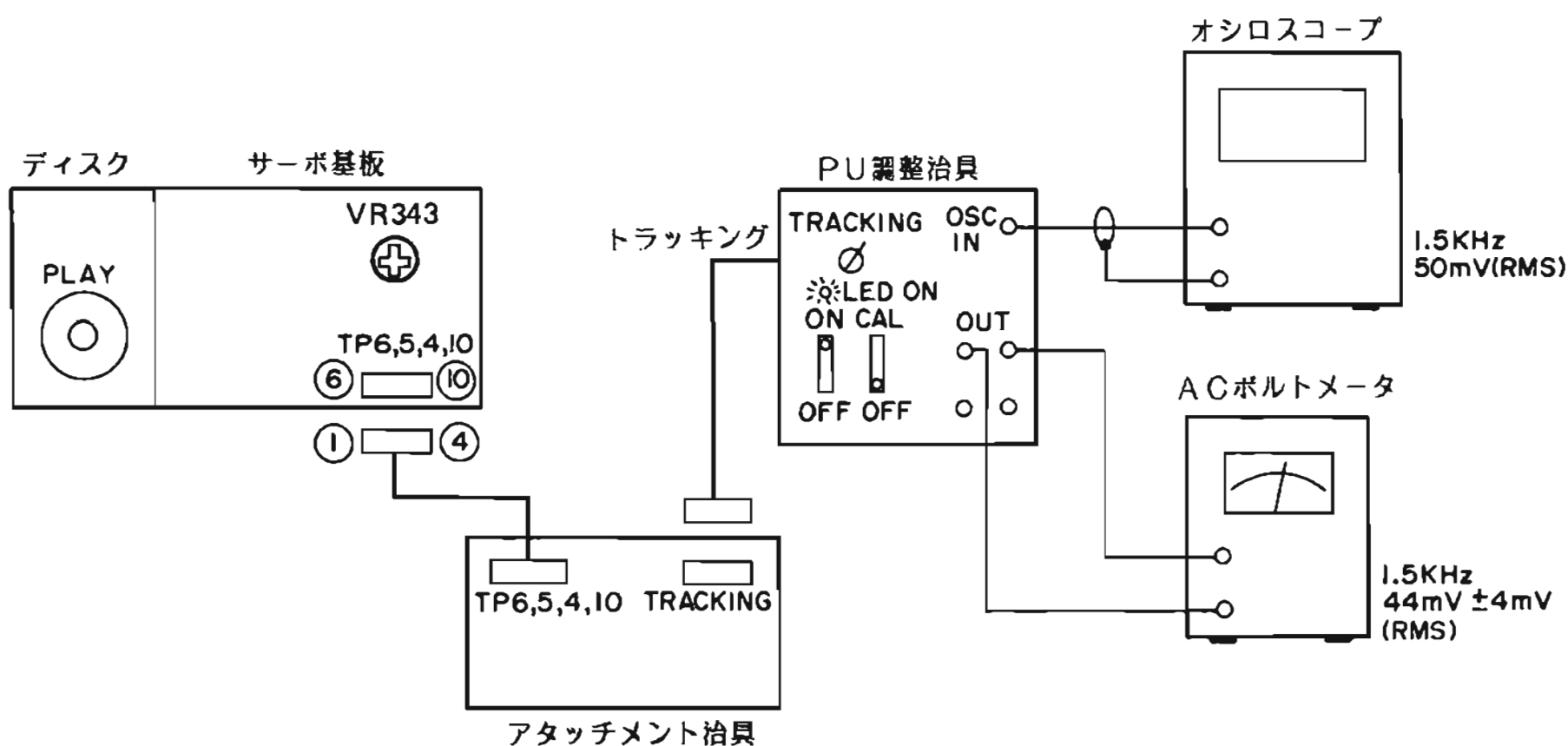


図54

8. 以上でピックアップを交換したときに必要な全ての調整を終了しました。

## アナログ回路調整

## 1. DCオフセット調整

- 1) テストディスクをロードし、ユニットをポーズモードにセットします。
- 2) テストポイントTP. 13 (R)とTP. 14 (L)をオシロスコープに接続します。
- 3) オシロスコープ上で $0V \pm 10mV$ DCが得られるように半固定抵抗VR629 (R)およびVR609 (L)を調節します。

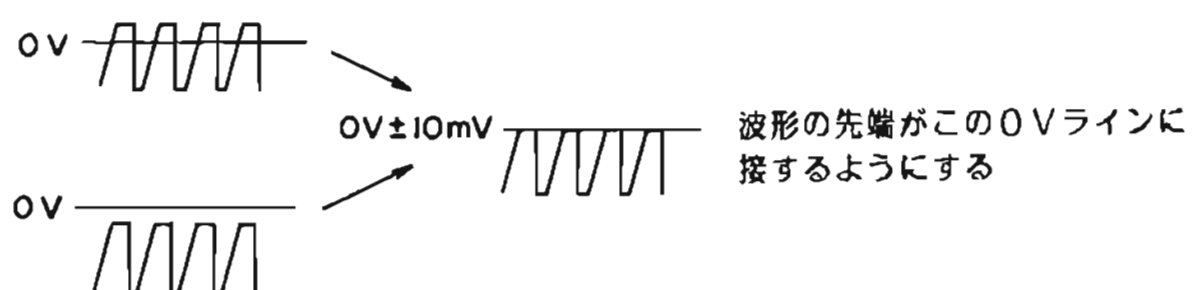
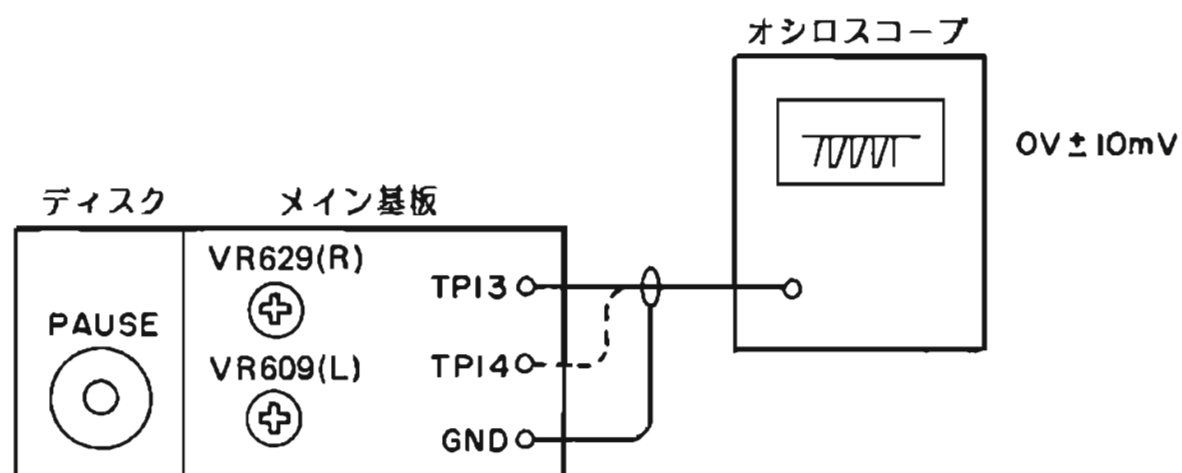
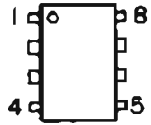


図55

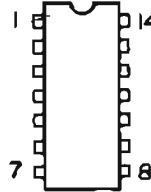
# Semi-Conductor Lead Identifications

(TOP VIEW)

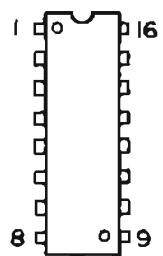


NJM072  
NJM082D

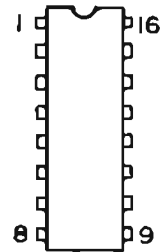
(TOP VIEW)



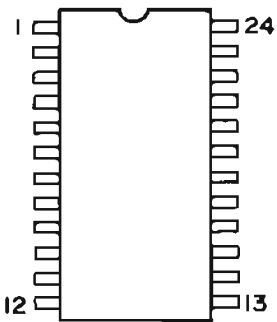
TA75902P  
TC40H004P



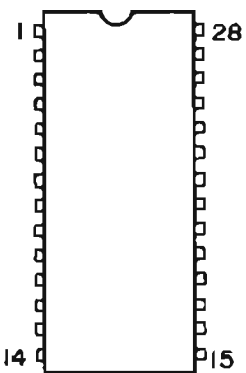
μPD4053BC



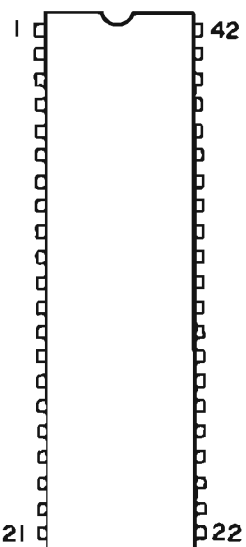
TA7731P  
TC5066BP  
TD6315AP



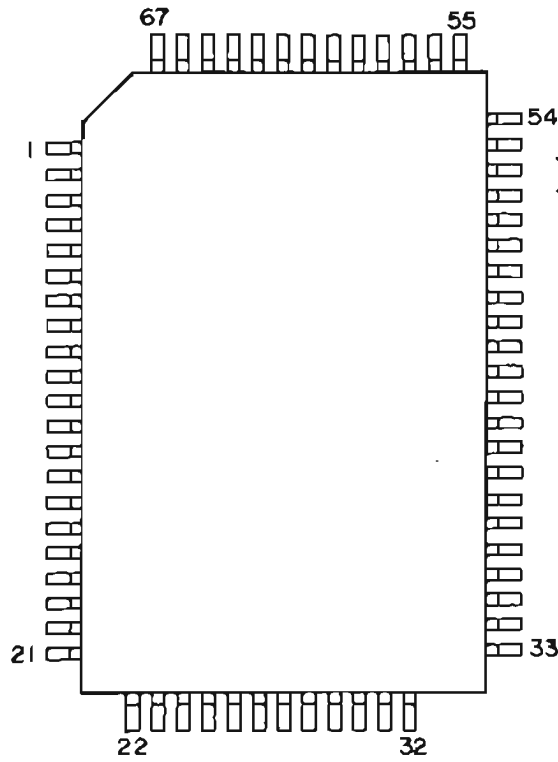
TC5516AF



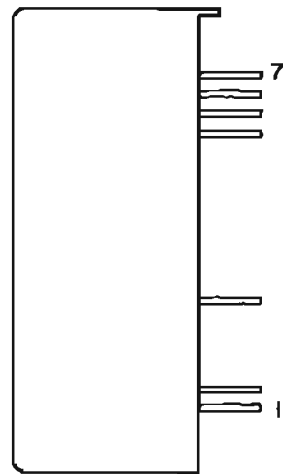
TD6705AP



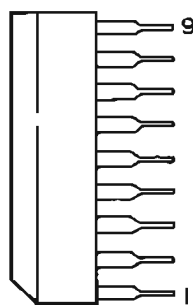
TMP4740N-5913



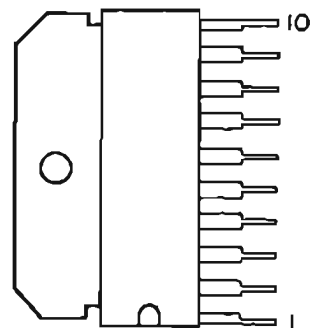
TC9178F  
TC9179F



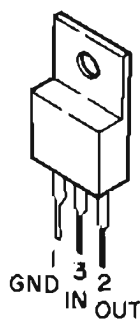
AFL89GB



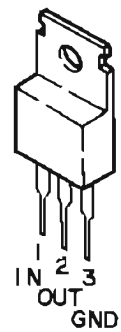
TA7354P  
TA75393S  
TA75458S  
TA75557S



TA7256P



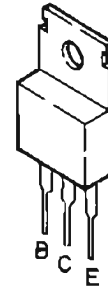
μPC7905H  
μPC7908H  
μPC7912H



TA78005AP  
TA78008AP



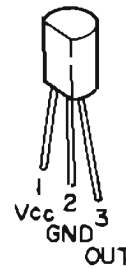
2SA1015  
2SC1815  
2SC1923  
2SC2878



2SD880



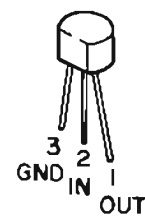
2SK30ATM



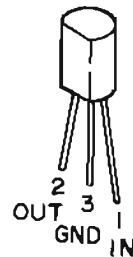
PST518



2SA966



NJM79L08A



TA78L008AP  
TA78L012AP

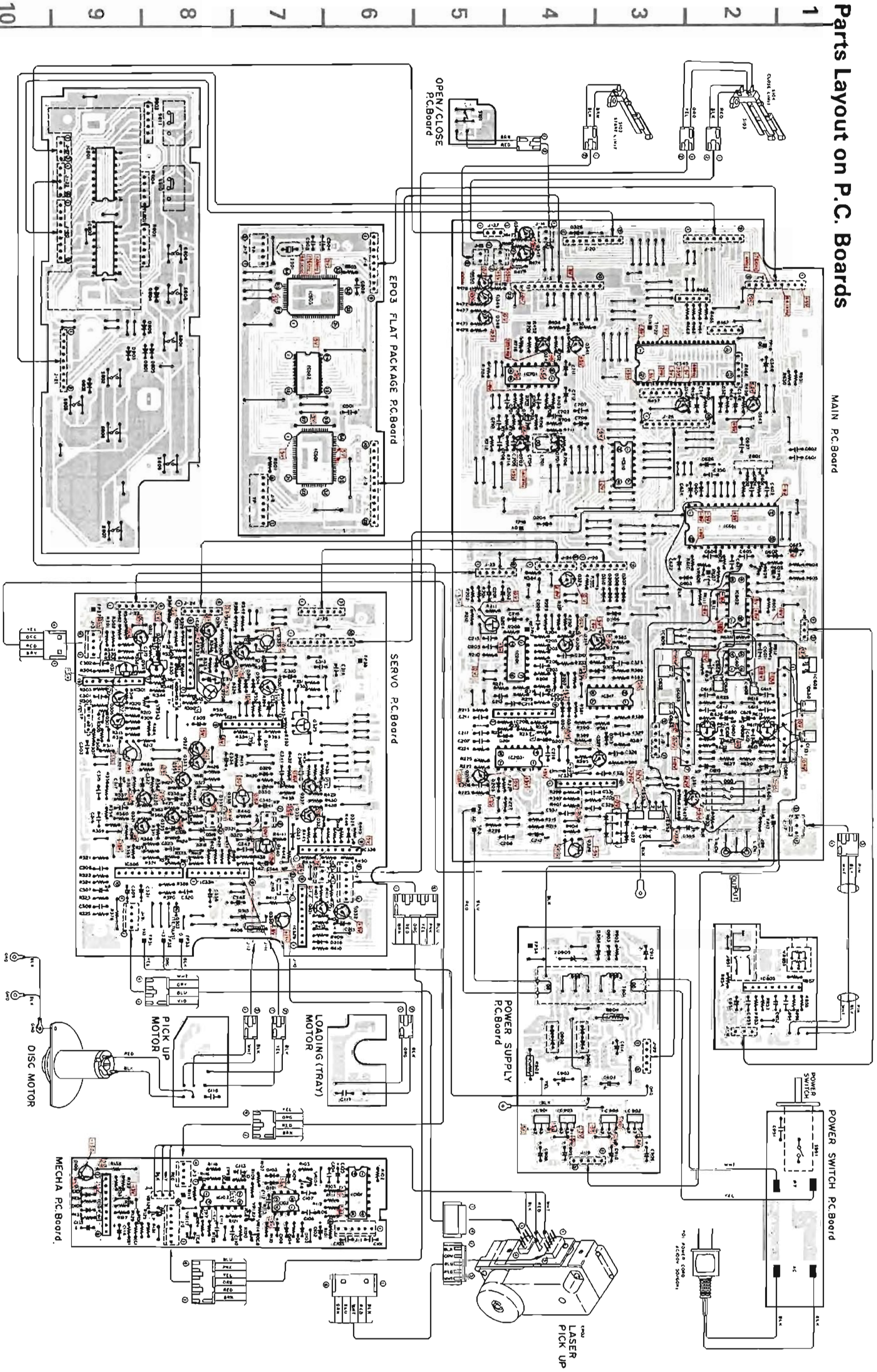


2SK170  
2SK363

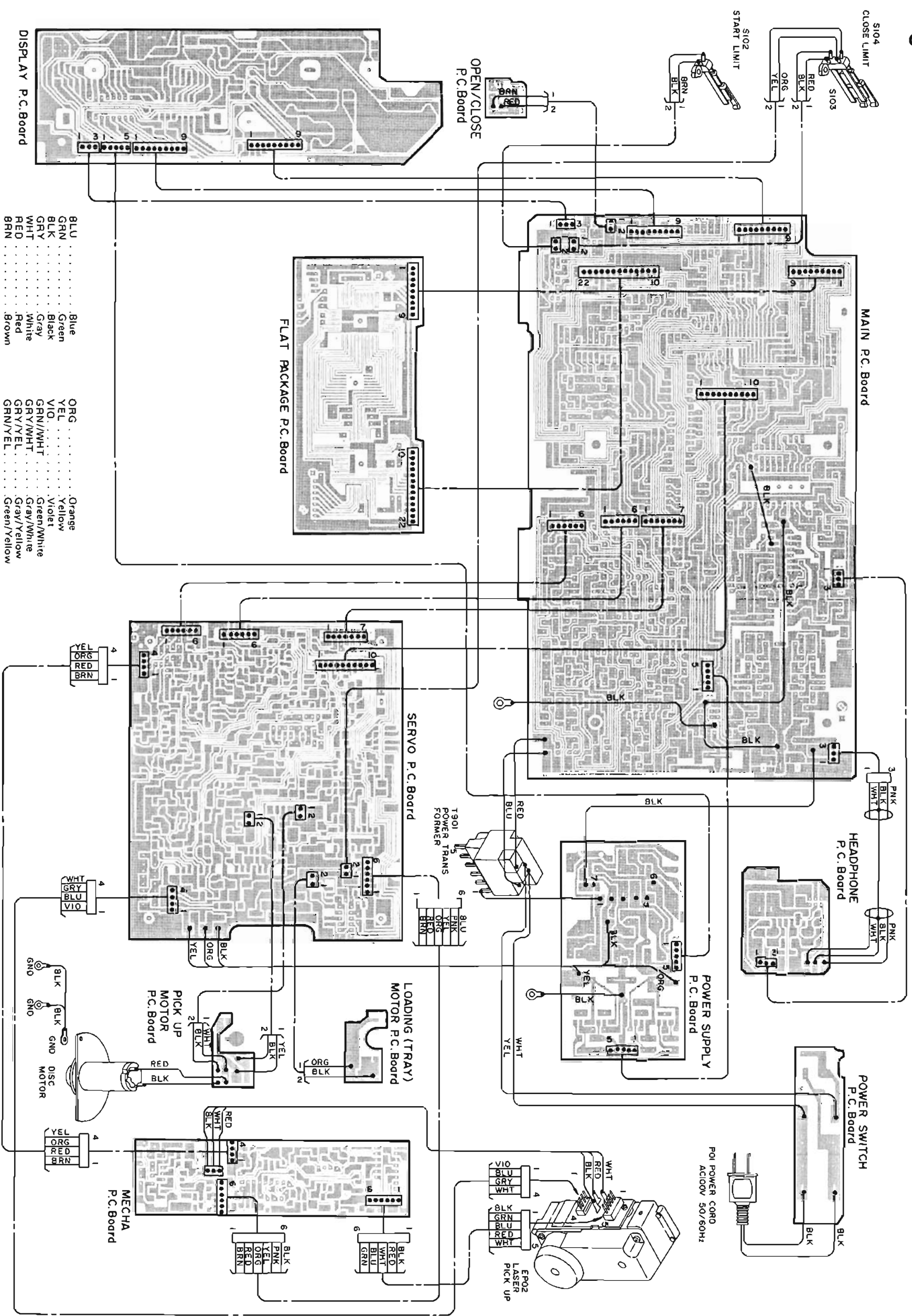


# Parts Layout on P.C. Boards

MAIN P.C. Board

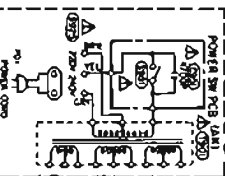
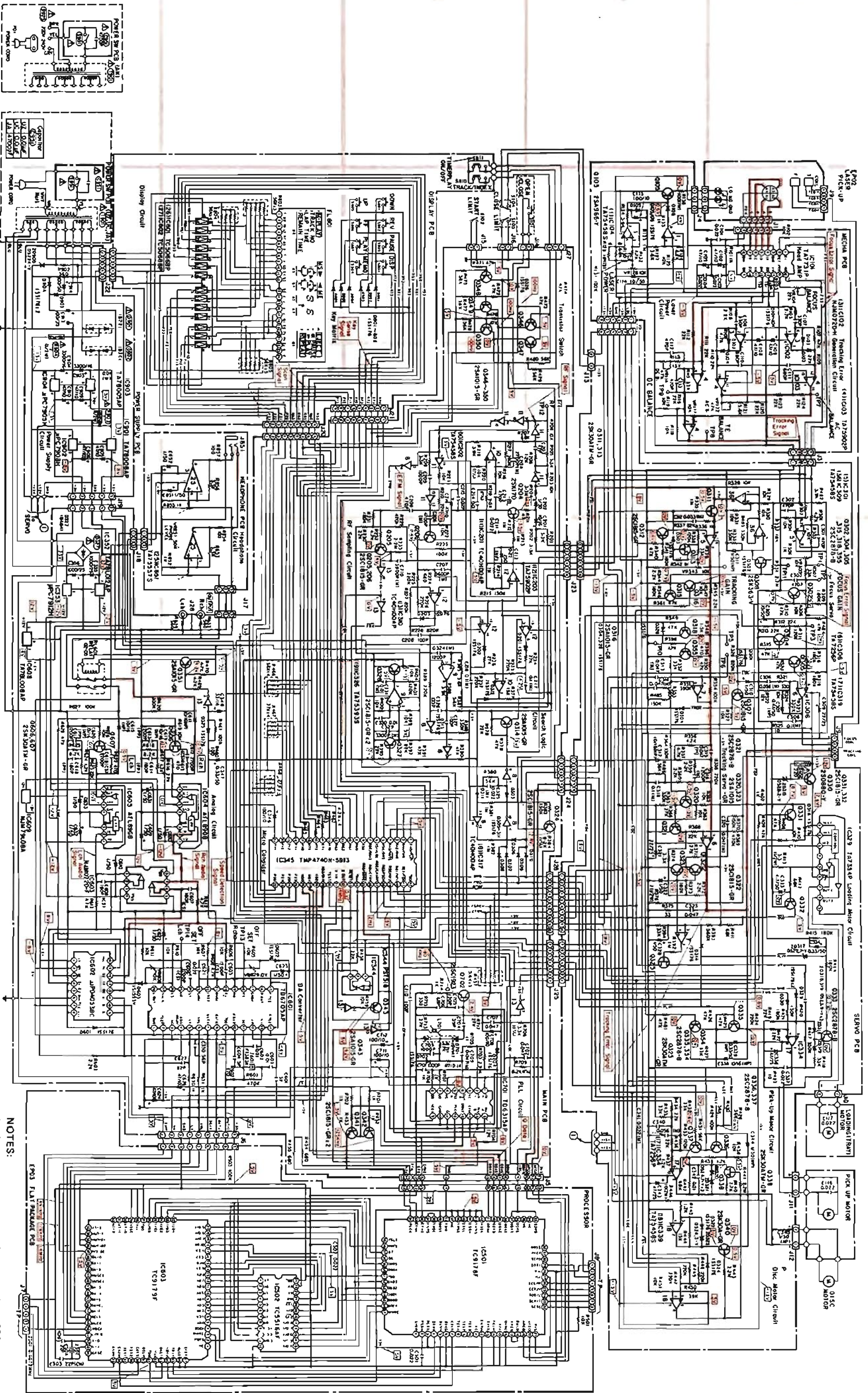


# Wiring Diagram



- |     |       |         |              |
|-----|-------|---------|--------------|
| BLU | Blue  | ORG     | Orange       |
| GRN | Green | YEL     | Yellow       |
| BLK | Black | VID     | Violet       |
| GRY | Gray  | GRN/WHI | Green/White  |
| WHT | White | GRY/WHI | Gray/White   |
| RED | Red   | GRY/YEL | Gray/Yellow  |
| BRN | Brown | GRN/YEL | Green/Yellow |

# Schematic Diagram



- NOTES:
1. All resistance values are in ohms. K = 1,000
  2. All capacitance values are in microfarads. P = 1,000,000

## Electrical Parts List

**CAUTION:**

The  $\Delta$  mark, the symbol No. circled with oval in the schematic diagram and the shaded area in the parts list designate components which have special characteristics important for safety and should be replaced only with types identical to those in the original circuit or specified in the parts list.

Symbol No.	Part No.	Description
<b>ICS, TRANSISTORS AND DIODES</b>		
IC101	40357800	IC, TA7731P
IC102	22117538	IC, NJM072D-H
IC103	40351500	IC, TA75902P
IC104	40350010	IC, TA75458S
Q105	36533240	Transistor, 2SA966-Y
IC201	40471040	IC, TC40H004P
IC202	40350010	IC, TA75458S
IC203	40351500	IC, TA75902P
Q204	36042750	Transistor, 2SK170-BL, FET
Q205	36317477	Transistor, 2SC1815NGR
Q206	36317460	Transistor, 2SC1815NEW-GR
IC301	40350010	IC, TA75458S
Q302	36342210	Transistor, 2SC2878-B
Q304, 305	36342210	Transistor, 2SC2878-B
IC306	40320320	IC, TA7256P
Q307	36317460	Transistor, 2SC1815NEW-GR
Q308	36058530	Transistor, 2SK363-V, FET
IC309	40350010	IC, TA75458S
IC310	40471040	IC, TC40H004P
Q311	36048370	Transistor, 2SK30ATM-GR, FET
Q312	36317460	Transistor, 2SC1815NEW-GR
Q313	36048370	Transistor, 2SK30ATM-GR, FET
Q314	36534060	Transistor, 2SA1015-GR
Q315	36342210	Transistor, 2SC2878-B
Q316	36534060	Transistor, 2SA1015-GR
IC317	40471040	IC, TC40H004P
Q318	36342210	Transistor, 2SC2878-B
IC319	40350010	IC, TA75458S
Q320	36534060	Transistor, 2SA1015-GR
Q321	36342210	Transistor, 2SC2878-B
Q322	36317460	Transistor, 2SC1815NEW-GR
Q323	36534060	Transistor, 2SA1015-GR
Q324	36317477	Transistor, 2SC1815GNR
Q325	36048370	Transistor, 2SK30ATM-GR, FET
IC326	40349250	IC, TA75393S
Q327	36317460	Transistor, 2SC1815NEW-GR
Q328	36317477	Transistor, 2SC1815NGR
IC329	40325460	IC, TA7354P
Q330	36848520	Transistor, 2SD880-Y
Q331, 332	36317460	Transistor, 2SC1815NEW-GR
Q333	36342210	Transistor, 2SC2878-B

Symbol No.	Part No.	Description
IC334	40320320	IC, TA7256P
Q335, 336, Q337	36342210	Transistor, 2SC2878-B
Q338	36048370	Transistor, 2SK30ATM-GR, FET
IC339	40350010	IC, TA75458S
Q340	36048370	Transistor, 2SK30ATM-GR, FET
Q341, 342	36317460	Transistor, 2SC1815NEW-GR
Q343	36534060	Transistor, 2SA1015-GR
IC344	22117426	IC, PST518
IC345	40406584	IC, TMP4740N-5913
Q346, 347, Q348, 349, Q350, 351	36534060	Transistor, 2SA1015-GR
IC352	40373260	IC, TA78L012AP
IC353	22117294	IC, $\mu$ PC7912H
Q354, 355	36342210	Transistor, 2SC2878-B
IC601	40272705	IC, TD6705AP
IC602	22117199	IC, $\mu$ PD4053BC
IC603	22117036	IC, NJM072D-F
IC604, 605	22117504	IC, AFL89GB
Q606, 607	36048370	Transistor, 2SK30ATM-GR, FET
IC608	40372860	IC, TA78L008AP
IC609	22117549	IC, NJM79L08A
IC701	40272165	IC, TD6315AP
Q702	36319020	Transistor, 2SC1923-O
IC801, 802	40480662	IC, TC5066BP
IC851	40350410	IC, TA75557S
IC901	40372800	IC, TA78008AP
IC902	22117425	IC, $\mu$ PC7908H
IC903	40372540	IC, TA78005AP
IC904	22117099	IC, $\mu$ PC7905H
D101, 102, D103, 104, D105, 106	37160571	Diode, 1SS176
D201, 202, D203, 204	37160571	Diode, 1SS176

Symbol No.	Part No.	Description
D301, 302, D303, 304, D305, 306, D307, 308, D309, 310, D311, 312, D313, 314 ZD315 D316 ZD317 ZD318, 319 ZD320, 321 D322 ZD323 D324, 325, D326	37160571  37110208 37160571 37109273 37109395 37109474 37160571 37109433 37160571	Diode, 1SS176  Diode, 05Z8.2-Y, Zener Diode, 1SS176 Diode, 05Z2.7-Y, Zener Diode, 05Z3.9-Y, Zener Diode, 05Z4.7-Y, Zener Diode, 1SS176 Diode, 05Z4.3-Y, Zener Diode, 1SS176
△ D327	37670800	Diode, 1B4B41
D328, 329, D330	37160571	Diode, 1SS176
D601, 602 D603	37160571 37246782	Diode, 1SS176 Diode, 1S1555V, LB-10
D701	37288890	Diode, 1SV147, Variable Cap.
D702	37160571	Diode, 1SS176
D801, 802, D803, 804, D805, 806	37160571	Diode, 1SS176
△ D901	37682052	Diode, 1B2Z1 (T)
△ D902	37682012	Diode, 1B2C1 (T)
D903, 904 ZD905	37160571 37110664	Diode, 1SS176 Diode, 05Z24-Y, Zener
<b>ELECTRICAL PARTS</b>		
RL601 L701 FL801	22148681 22245445 22104603	Relay Coil, PLL OSC. FL, Tube Z84
△ T901	● 22224431	Power Transformer (UZ)
△ T901	△ 22224431	Power Transformer (UC)
△ T901	■ 22224430	Power Transformer (JA)
△ T901	☆ 22224432	Power Transformer (AK)

Symbol No.	Part No.	Description
S101 S102 S103, 104	22196228 22196068 22196184	Key Switch, Open/Close Leaf Switch, Start Limit Leaf Switch, Close Limit
S801, 802 S803, 804 S805, 806 S807, 808 S810	22196228 22196228 22196228 22196228 22196617	Key Switch, Down, Reverse Key Switch, Pause, Display Key Switch, Up, FF Key Switch, Play, Memory Slide Switch, Search (Track/Index)
S811	22196617	Slide Switch, Timer, Play
△ S925	☆ 22169037	AC Socket
△ S951	22196362	Push Switch, Power
J28 J851	22198012 22198165	Jack, US2P, Output Jack, φ6, Headphone (BLK)
Z601	35613051	Filter, F1383K
△ P01	● 22176645	Power Cord (UZ)
△ P01	△ 22176645	Power Cord (UC)
△ P01	■ 22176712	Power Cord (JA)
<b>CAPACITORS</b>		
<p>J = ±5%, K = ±10%, M = ±20%, P = +100—0%, Z = +80—20%, NP = None Polarity ABBREVIATIONS: EL = Electrolytic, PP = Polypropylene, CD = Ceramic Disk, CS = Copper Leaf Stylene</p>		
C101 C102 C103, 104 C105 C106, 107 C108, 109 C110, 111 C112, 113 C114 C115 C116, 117	22342223 22483470 22342223 22483470 22349331 22483470 22349681 22349471 22488100 22483101 22342223	CD, 0.022mfd, 50V, Z EL, 47mfd, 10V CD, 0.022mfd, 50V, Z EL, 47mfd, 10V CD, 330pF, 50V, K EL, 47mfd, 10V CD, 680pF, 50V, K CD, 470pF, 50V, K EL, 10mfd, 50V EL, 100mfd, 10V CD, 0.022mfd, 50V, Z
C201 C202 C203	22485100 22488109 22362470	EL, 10mfd, 16V EL, 1mfd, 50V CD, 47pF, 50V, K

**NOTE:** ● : For North American model (UZ), △ : For Canadian model (UC), ☆ : For European model (AK),  
■ : For Japan model (JA), Others: Common

Symbol No.	Part No.	Description
C204	22371272	MY, 2700pF, 50V, J
C205	22349102	CD, 1000pF, 50V, K
C206	22371472	MY, 4700pF, 50V, J
C207	22371562	MY, 5600pF, 50V, J
C208	22362101	CD, 100pF, 50V, K
C209	22349471	CD, 470pF, 50V, K
C210	22371392	MY, 3900pF, 50V, J
C211	22342223	CD, 0.022mfd, 50V, Z
C212	22478228	EL, 0.22mfd, 50V, NP
C213	22349471	CD, 470pF, 50V, K
C214	22342103	CD, 0.01mfd, 50V, Z
C215	22342223	CD, 0.022mfd, 50V, Z
C216	22483470	EL, 47mfd, 10V
C217	22371104	MY, 0.1mfd, 50V, J
C218	22371104	MY, 0.1mfd, 50V, J
C301, 302	22349471	CD, 470pF, 50V, K
C303	22349471	CD, 470pF, 50V, K
C305	22488100	EL, 10mfd, 50V
C306	22371563	MY, 0.056mfd, 50V, J
C307	22470011	EL, 0.47mfd, 50V, NP
C308	22371104	MY, 0.1mfd, 50V, J
C309	22486220	EL, 22mfd, 25V
C310	22488109	EL, 1mfd, 50V
C311	22478109	EL, 1mfd, 50V, NP
C312	22371333	MY, 0.033mfd, 50V, J
C313, 314	22371473	MY, 0.047mfd, 50V, J
C315	22371473	MY, 0.047mfd, 50V, J
C316	22371122	MY, 1200pF, 50V, J
C317	22470010	EL, 10mfd, 16V, NP
C318	22371104	MY, 0.1mfd, 50V, J
C320	22371473	MY, 0.047mfd, 50V, J
C321	22486220	EL, 22mfd, 25V
C322	22488109	EL, 1mfd, 50V
C323	22360484	CD, 0.047mfd, 50V, Z
C324	22371122	MY, 1200pF, 50V, J
C325	22371223	MY, 0.022mfd, 50V, J
C326, 327	22362101	CD, 100pF, 50V, K
C328	22488109	EL, 1mfd, 50V
C329	22371332	MY, 3300pF, 50V, J
C330	22342103	CD, 0.01mfd, 50V, Z
C331	22371103	MY, 0.01mfd, 50V, J
C333	22488479	EL, 4.7mfd, 50V
C334	22488338	EL, 0.33mfd, 50V
C336	22486470	EL, 47mfd, 25V
C337	22342223	CD, 0.022mfd, 50V, Z
C338	22470010	EL, 10mfd, 16V, NP
C339	22478338	EL, 0.33mfd, 50V, NP
C340	22371563	MY, 0.056mfd, 50V, J
C341	22371223	MY, 0.022mfd, 50V, J
C342	22342103	CD, 0.01mfd, 50V, Z

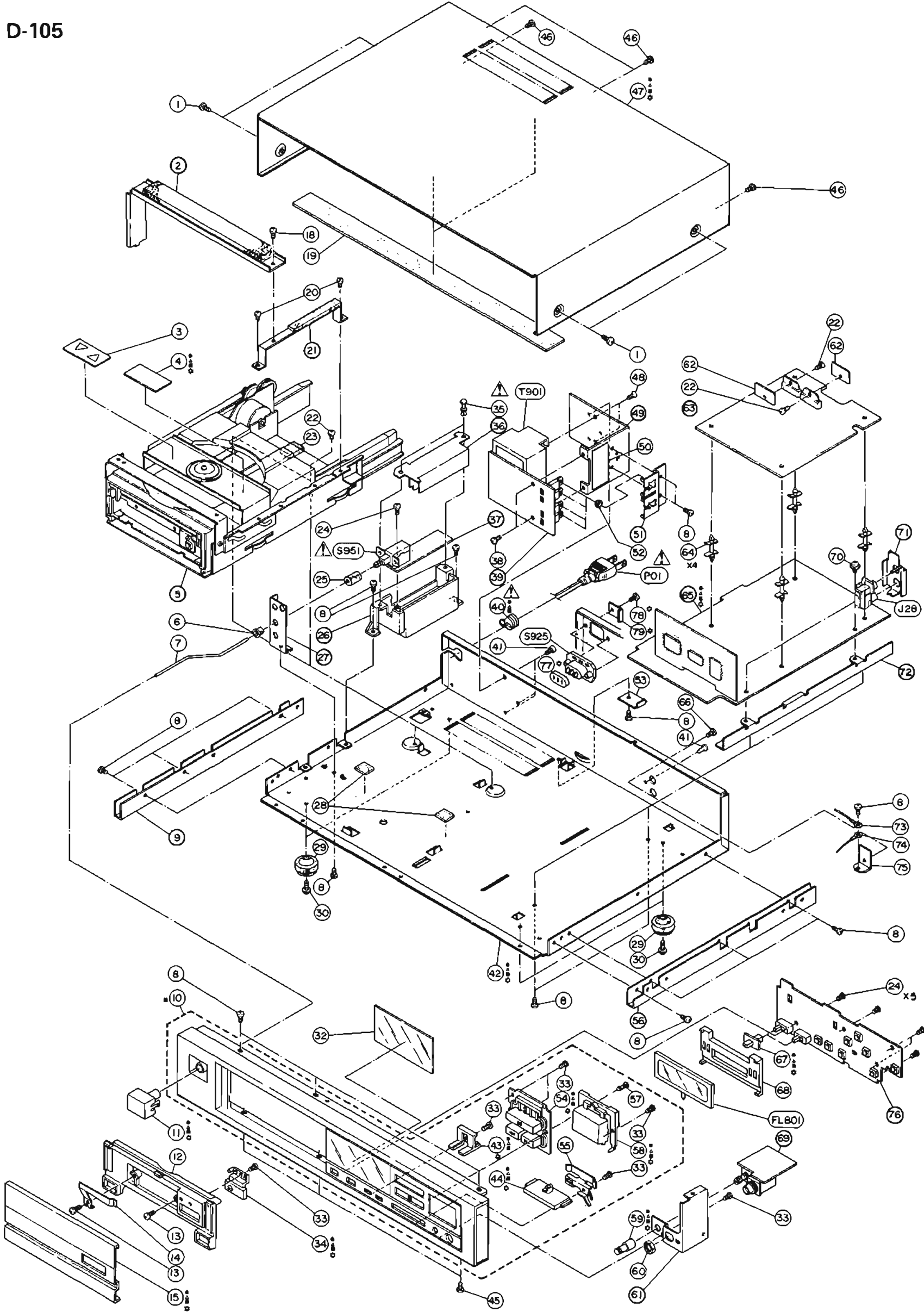
Symbol No.	Part No.	Description
C343	22486470	EL, 47mfd, 25V
C344, 345	22478109	EL, 1mfd, 50V, NP
C346	22483101	EL, 100mfd, 10V
C347	22488338	EL, 0.33mfd, 50V
C348	22485330	EL, 33mfd, 16V
C350	22362560	CD, 56pF, 50V, K
C355, 356	22486102	EL, 1000mfd, 25V
C601	22361509	CD, 5pF, 50V, D
C602, 603	22342103	CD, 0.01mfd, 50V, Z
C604	22361509	CD, 5pF, 50V, D
C605, 606	22380138	MY, 1200pF, 125V, J
C607, 608	22380128	MY, 180pF, 125V, J
C611	22470010	EL, 10mfd, 16V, NP
C612	22380142	MY, 2700pF, 125V, J
C613	22380138	MY, 1200pF, 125V, J
C614	22380128	MY, 180pF, 125V, J
C615	22470010	EL, 10mfd, 16V, NP
C616	22380142	MY, 2700pF, 125V, J
C617	22380138	MY, 1200pF, 125V, J
C618	22380128	MY, 180pF, 125V, J
C619, 620	22470010	EL, 10mfd, 16V, NP
C621	22321264	MY, 0.022mfd, 100V, J
C622, 623	22488109	EL, 1mfd, 50V
C624	22483470	EL, 47mfd, 10V
C626	22483470	EL, 47mfd, 10V
C627	22362820	CD, 82pF, 50V, K
C701	22349102	CD, 1000pF, 50V, K
C702	22342473	CD, 0.047mfd, 50V, Z
C703	22349102	CD, 1000pF, 50V, K
C704	22362390	CD, 39pF, 50V, K
C705	22362151	CD, 150pF, 50V, K
C706	22362680	CD, 68pF, 50V, K
C707	22342473	CD, 0.047mfd, 50V, Z
C708	22483101	EL, 100mfd, 10V
C709	22371473	MY, 0.047mfd, 50V, J
C710	22362101	CD, 100pF, 50V, K
C711, 712	22483101	EL, 100mfd, 10V
C851, 852	22488109	EL, 1mfd, 50V
C903, 904	22485332	EL, 3300mfd, 16V
C905, 906	22483470	EL, 47mfd, 10V
C909, 910	22483470	EL, 47mfd, 10V
C913	22486101	EL, 100mfd, 25V
C914	22488101	EL, 100mfd, 50V
△ C951 ☆	22340150	CD, 4700pF, 400V, M (AC)
△ C951 ■	22340167	CD, 4700pF, 250V, P (JA)
△ C951 ●	22340140	CD, 0.01mfd, 125V, P (US)
△ C951 △	22340140	CD, 0.01mfd, 125V, P (UC)

NOTE: ● : For North American model (UZ), △ : For Canadian model (UC), ☆ : For European model (AK),  
■ : For Japan model (JA), Others: Common



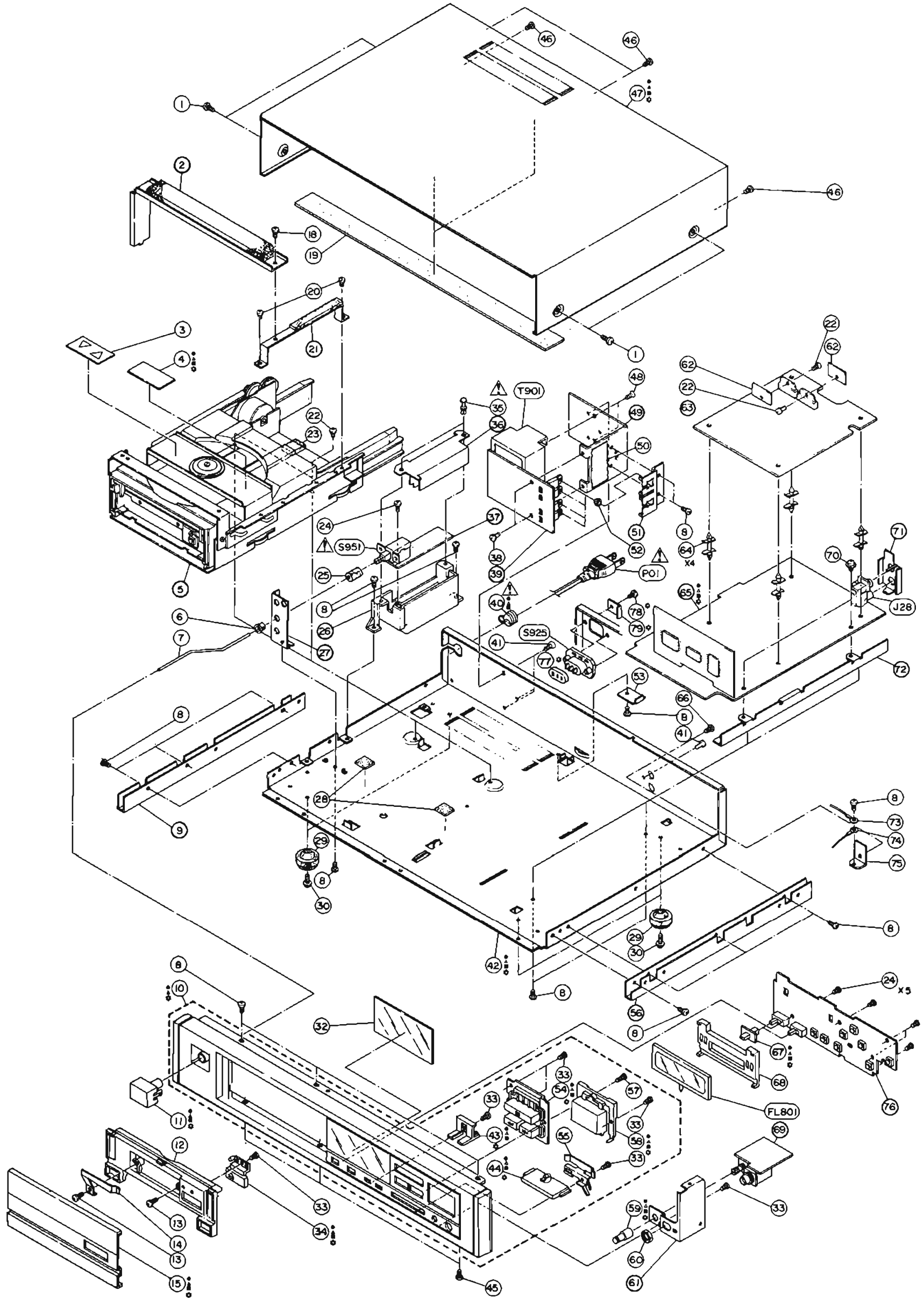
# Exploded View (Cabinet)

● D-105





● D-405



## Cabinet Parts List

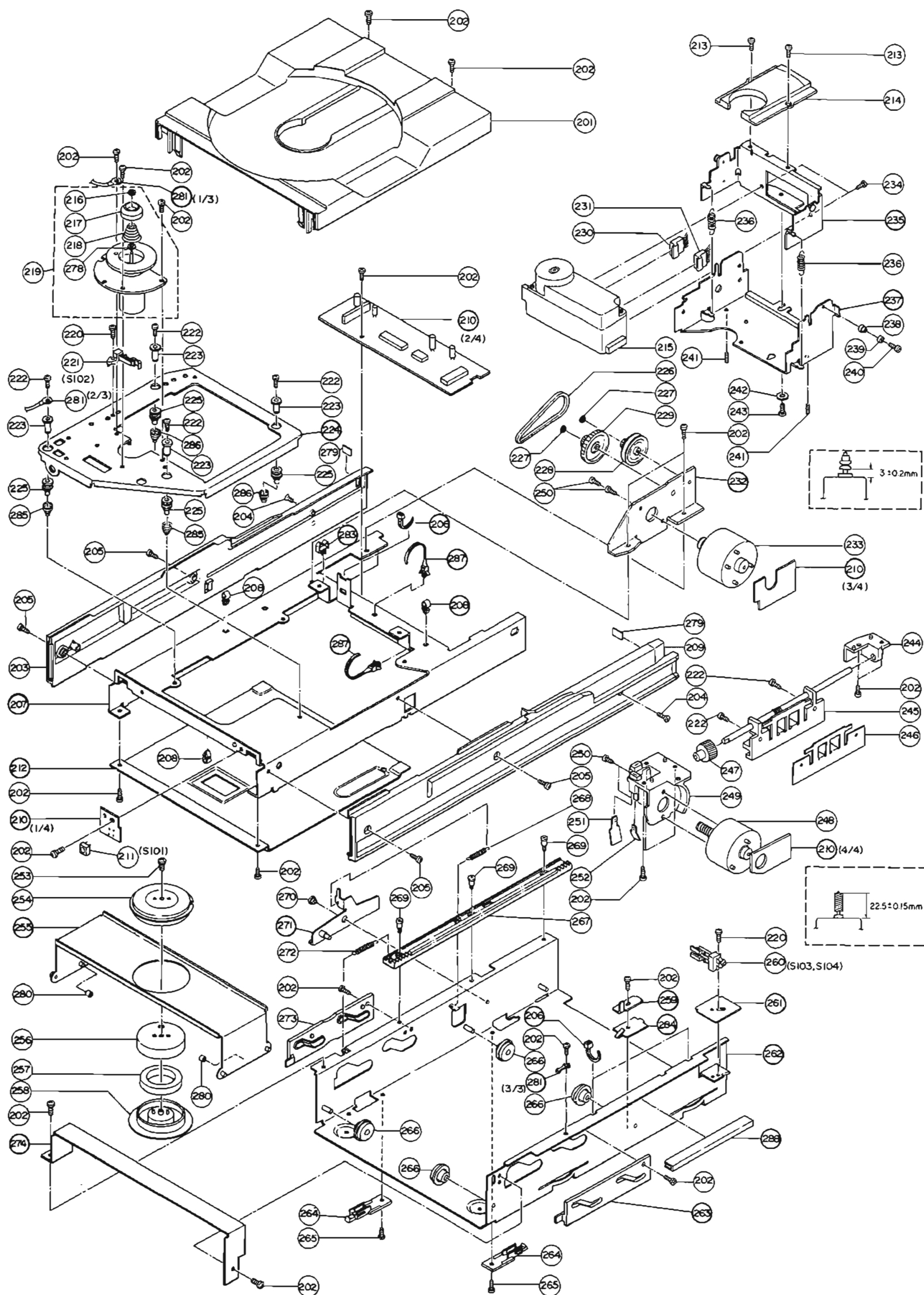
Symbol No.	Part No.	Description
1	22707185	Screw, $\phi 4 \times 8$ mm, FTBID
2	※	Return Shock Ass'y
3	22906552	Laser Label
4	● 22906551	Caution Label (UZ)
4	△ 22906551	Caution Label (UC)
4	■ 22906552	Laser Label (JA)
4	☆ 22906585	Laser Label (AK)
5	※	Mechanism Ass'y
6	25845194	Knob, Bush
7	22764253	Rod
8	22707910	Screw, $\phi 3 \times 6$ mm, BID Tapping
9	※	Support, Side
10	● 22825404	Front Panel Ass'y (UZ)
10	△ 22825404	Front Panel Ass'y (UC)
10	■ 22825403	Front Panel Ass'y (JA)
10	☆ 22825404	Front Panel Ass'y (AK)
11	● 22884591	Knob, Power (UZ)
11	△ 22884591	Knob, Power (UC)
11	■ 22884592	Knob, Power (JA)
11	☆ 22884591	Knob, Power (AK)
12	20831468	Front Tray Mold
13	70433010	Screw, $\phi 3 \times 10$ mm, BID
14	25779480	Earth Spring
15	● 22893020	Tray Panel (UZ)
15	△ 22893020	Tray Panel (UC)
15	■ 22893021	Tray Panel (JA)
15	☆ 22893020	Tray Panel (AK)
18	22707910	Screw, $\phi 3 \times 6$ mm, BID Tapping
19	22766097	Cover Tape
20	22707366	Screw, $\phi 2.6 \times 6$ mm, BID
21	※	PUS Bracket Ass'y
22	70433004	Screw, $\phi 3 \times 4$ mm, BID
23	22766098	Mechanism Tape
24	22708265	Screw, $\phi 2.6 \times 8$ mm, BID Tapping
25	22764223	Joint
26	※	Power Case
27	※	Rod Bracket
28	22766037	Mechanism Cushion
29	20842181	Insulator (Foot)
30	22707889	Screw, $\phi 3 \times 10$ mm, BID Tapping
32	20857034	Filter
33	22707979	Screw, $\phi 2.6 \times 8$ mm, BID Tapping

Symbol No.	Part No.	Description
34	● 22884588	Knob, Eject (UZ)
34	△ 22884588	Knob, Eject (UC)
34	■ 22884590	Knob, Eject (JA)
34	☆ 22884588	Knob, Eject (AK)
35	22705022	Push, Rivet
36	※	Power Cover
37	※	Power Switch P.C. Board Ass'y
38	22708021	Screw, $\phi 3 \times 6$ mm, BID Tapping
39	※	Power Supply P.C. Board Ass'y
40	● 25845528	Cord Bush (UZ)
40	△ 25845528	Cord Bush (UC)
40	■ 25845528	Cord Bush (JA)
41	22708118	Screw, $\phi 3 \times 8$ mm, BID Tapping
42	● 20013031	Chassis Base (UZ)
42	△ 20013031	Chassis Base (UC)
42	■ 20013030	Chassis Base (JA)
42	☆ 20013032	Chassis Base (AK)
43	● 20872112	Knob (UZ)
43	△ 20872112	Knob (UC)
43	■ 20872081	Knob (JA)
43	☆ 20872112	Knob (AK)
44	● 20872111	Knob, UP/DOWN (UZ)
44	△ 20872111	Knob, UP/DOWN (UC)
44	■ 20872099	Knob, UP/DOWN (JA)
44	☆ 20872111	Knob, UP/DOWN (AK)
45	22708117	Screw, $\phi 3 \times 6$ mm, BID Tapping
46	22707911	Screw, $\phi 3 \times 8$ mm, BID Tapping
47	● 20823114	Top Cover (UZ)
47	△ 20823114	Top Cover (UC)
47	■ 20823113	Top Cover (JA)
47	☆ 20823114	Top Cover (AK)
48	22707909	Screw, $\phi 3 \times 8$ mm, BID Tapping
49	※	Power Radiator
50	22723309	Insulator
51	※	Holder, Transistor
52	22756447	Washer, Transistor
53	22714364	Sub Bracket
54	● 22884586	Knob (UZ)
54	△ 22884586	Knob (UC)
54	■ 22884593	Knob (JA)
54	☆ 22884586	Knob (AK)

**NOTE:** ※ The parts whose parts numbers are not entered will not be supplied.

● : For North American model (UZ), △ : For Canadian model (UC), ☆ : For European model (AK),

# Exploded View (Cassette Deck)



## Mechanism Parts List

Symbol No.	Part No.	Description
201	20778188	Disc Tray
202	22707366	Screw, $\phi 2.6 \times 6\text{mm}$ , BID
203	20754119	Slide Rail, Left
204	22707924	Screw, $\phi 2.6 \times 6\text{mm}$ , FLT
205	22708190	Screw, $\phi 2.6 \times 10\text{mm}$ , BID
209	20754118	Slide Rail, Right
211 (S101)	22196228	Key Switch
213	22707265	Screw, $\phi 2 \times 4\text{mm}$ , BID
214	20749129	Pick-up Cover
215 (EP02)	22155203	Laser Pick-up, OPH-32
216	25764549	Washer
217	20723126	Ring, Center
218	25777270	Spring, Clamper
219	25791765	Disc Motor Ass'y
220	22701290	Screw, $\phi 2 \times 6\text{mm}$ , PAN
221 (S102)	22196068	Leaf Switch
222	22707535	Screw, $\phi 2.6 \times 12\text{mm}$ , BID
223	20773350	Spacer
225	25761505	Cushion
226	25755599	Drive Belt
227	20776135	Washer, $\phi 2.1$
228	20727083	Drive Gear, A
229	20727084	Drive Gear, B
233	25791766	Loading Motor Ass'y
234	22701313	Screw, $\phi 3 \times 4\text{mm}$ , Bid
236	25776658	Spring
238	20773341	Bushing
239	20773343	Roller
240	22708172	Screw, $\phi 2 \times 8\text{mm}$
241	22708230	Screw, $\phi 2.6 \times 6\text{mm}$
242	22703269	Washer, $\phi 3$
243	22707660	Screw, $\phi 3 \times 10\text{mm}$ , Special
244	20776134	Thrust Holder
245	20727114	Guide Rack Ass'y
246	25779386	Spring Plate
247	20727064	Gear, WH
248	20751284	Pick-up Motor Ass'y
249	20748092	Motor Mount
250	22707494	Screw, $\phi 2.6 \times 4\text{mm}$ , BID
251	25779384	Spring Plate
252	25779383	Spring Plate
253	22707686	Screw, $\phi 2 \times 4\text{mm}$ , BID Tapping
254	20754098	Clamper Plate
256	20748088	Clamper Yoke
257	20754089	Clamper Magnet
258	20754091	Clamper
260 (S103) (S104)	22196184	Leaf Switch

Symbol No.	Part No.	Description
264	20748200	Rail Plate
265	22701389	Screw, $\phi 2.6 \times 3\text{mm}$ , BID
266	20754121	Guide Roller
267	20727082	Slide Lack
268	25776701	Spring
269	22708133	Lack Screw
270	22701472	Special Screw, $\phi 2.6 \times 13\text{mm}$
272	25776669	Spring
278	25764392	Washer
279	20748182	Stopper Cushion
280	20754120	Roller Lifter
285	25777419	Spring, Mechanism (A)
286	25777420	Spring, Mechanism (B)

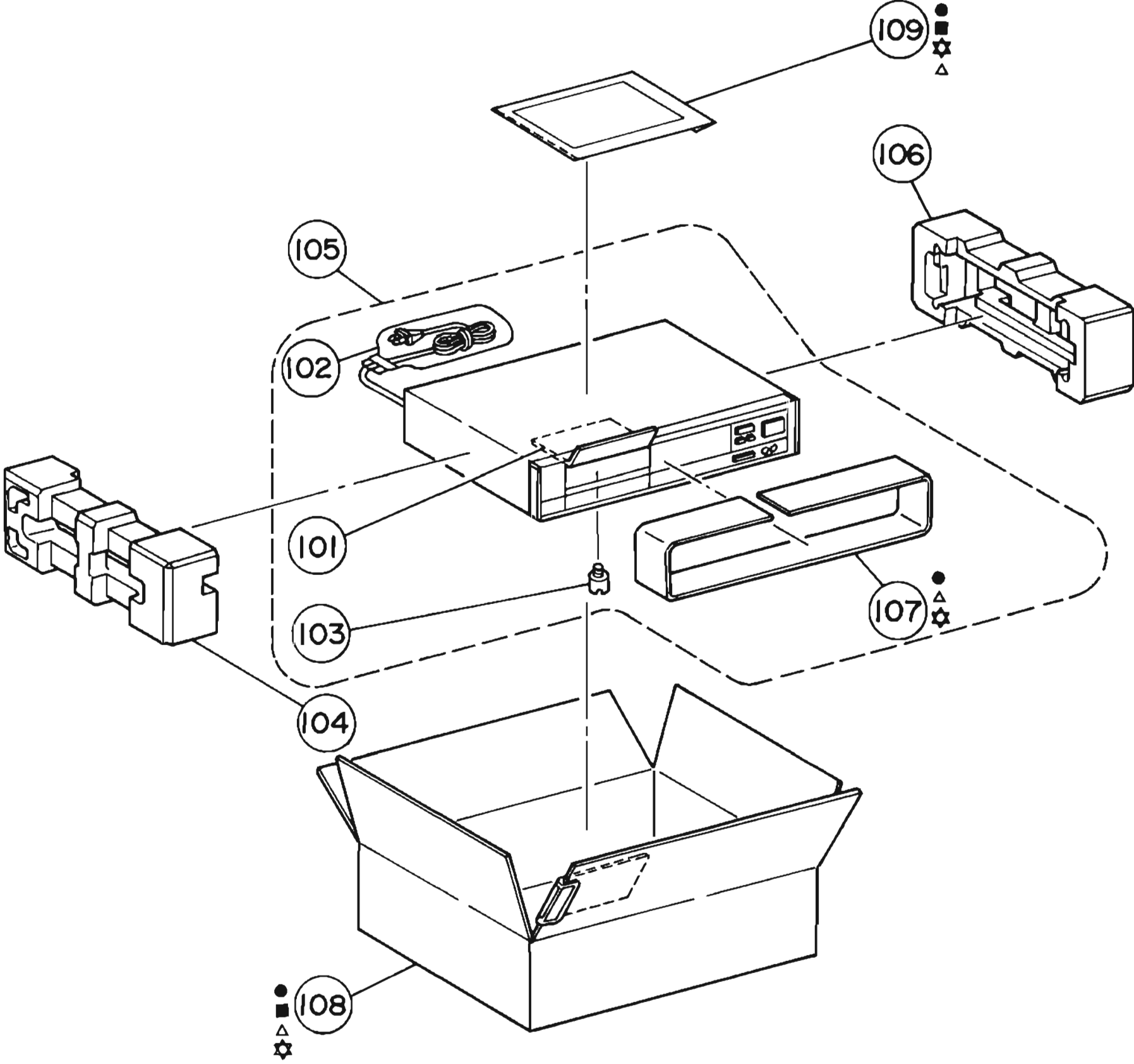
Symbol No.	Part No.	Description
55	25779448	Earth Spring
57	22707929	Screw, $\phi 2.6 \times 10\text{mm}$ , BID
58	● 22884585	Knob, Play (UZ)
58	△ 22884585	Knob, Play (UC)
58	■ 22884594	Knob, Play (JA)
58	☆ 22884585	Knob, Play (AK)
59	● 22884587	Knob, Volume (UZ)
59	△ 22884587	Knob, Volume (UC)
59	■ 22884487	Knob, Volume (JA)
59	☆ 22884587	Knob, Volume (AK)
60	22702198	Nut, M12
61	※	Bracket, Head Phone
62	22747127	IC Radiator
63	※	Servo P.C. Board Ass'y
64	20024101	Holder, P.C. Board
65	● ※	Main P.C. Board Ass'y (UZ)
65	△ ※	Main P.C. Board Ass'y (UC)
65	■ ※	Main P.C. Board Ass'y (JA)
65	☆ ※	Main P.C. Board Ass'y (AK)
66	22708116	Screw, $\phi 3 \times 6\text{mm}$ , BID Tapping
67	● 22884589	Knob, Slide (UZ)
67	△ 22884589	Knob, Slide (UC)
67	■ 22884489	Knob, Slide (JA)
67	☆ 22884589	Knob, Slide (AK)
68	20844218	FL Holder
69	※	Head Phone P.C. Board Ass'y
70	22708022	Screw, $\phi 3 \times 6\text{mm}$ , BID Tapping
71	※	Shield Plate
72	※	Frame, Right
73	28700150	Wire Ass'y
74	28700151	Wire Ass'y
75	25779504	Earth Plate
76	※	Display P.C. Board Ass'y
77	☆ 22184238	AC Socket Cover (AK)
78	☆ 22707364	Screw, $\phi 3 \times 4\text{mm}$ , BID (AK)
79	☆ 25779506	AC Cover (AK)

Symbol No.	Part No.	Description

**NOTE:** ※ The parts whose parts numbers are not entered will not be supplied.

● : For North American model (UZ), △ : For Canadian model (UC), ☆ : For European model (AK).

# Packing Method View



## Packing Assembly Parts List

Symbol No.	Part No.	Description
101	22947097	Protector
102	22941302	Sack, Polyethylene
103	22708178	Screw, Pick
104	22936144	Cushion (L)
105	22941372	Sack, Polyethylene
106	22936145	Cushion (R)
107	● 22947161	Protector (UZ)
107	△ 22947161	Protector (UC)
107	☆ 22947161	Protector (AK)
108	● 22922168	Carton, Packing (UZ)
108	△ 22922168	Carton, Packing (UC)
108	■ 22922167	Carton, Packing (JA)
108	☆ 22922168	Carton, Packing (AK)
109	● 22998225	Accessory Ass'y (UZ)
109	△ 22988256	Accessory Ass'y (UC)
109	■ 22998254	Accessory Ass'y (JA)
109	☆ 22998227	Accessory Ass'y (AK)
109-1	22164775	Plug, Radio Cable
109-2	● 22957646	Business Reply Cord (UZ)
109-2	■	Business Reply Cord (JA)
109-3	●	Card, Safety (UZ)
109-4	●	Limited, Warranty (UZ)
109-4	△	Limited, Warranty (UC)
109-5	●	Service, Facilities (UZ)
109-6	● 68P65432F77	Owners Manual (UZ)
109-6	△ 68P65432F76	Owners Manual (UC)
109-6	■ 68P65432F78	Owners Manual (JA)
109-6	☆ 68P65432F76	Owners Manual (AK)
109-7		Sack, Polyethylene
109-8	☆ 22176616	Power Cord (AK)
109-9	☆ 22957752	Caution, Laser (AK)

Symbol No.	Part No.	Description
<b>Label</b>		
●	22900486	Label, Caution (Tray) (UZ)
△	22906545	Label, Caution (Tray) (CU)
■	22906542	Label, Caution (Tray) (JA)
☆	22906545	Label, Caution (Tray) (AK)
●	22900487	Label, Screw Pic Caution (Top Cover, Side R) (UZ)
●	22900420	Label, Laser Caution (Rear Side) (UZ)
●	22970282	Label, Serial No. (Rear Side) (UZ)
△	22970282	Label, Serial No. (Rear Side) (UC)
☆	22970282	Label, Serial No. (Rear Side) (AK)
●	22970282	Label, Date Cord (Bottom Side) (UZ)
●	22900481	Label, Volt 120V (Carton, Packing) (UZ)
△	22900483	Label, Volt 120V (Carton, Packing) (UC)
■	22900480	Label, Volt 100V (Carton, Packing) (JA)
☆	22900484	Label, Volt 220V (Carton, Packing) (AK)
●	22970356	Label, Serial No. (Carton, Packing) (UZ)
☆	22906500	Label, Class 1 (Rear Side) (AK)
△	22950209	Label, CSA (UC)

**NOTE:** ● : For North American model (UZ), △ : For Canadian model (UC), ☆ : For European model (AK), ■ : For Japan model (JA), Others: Common



# **LUX CORPORATION, JAPAN**

1-8, 1-Chome, Nishigotanda, Shinagawa-ku, Tokyo 141 Japan  
Phone: 03-493-4381 Facsimile: 03-494-8426